



LEGACY
MANUFACTURING

Our Legacy is Quality & Performance. Our Focus is Customer Service

Sealing Systems for Architectural Openings

Automatic Door Bottoms • Gasketing • Thresholds • Door Flood Systems
INTUMESCENT MATERIAL • ACOUSTICAL SOUNDPROOFING INSULATION • RUBBER EXTRUSIONS • WEATHERSTRIPPING



Legacy Manufacturing is a young, resourceful company solidly rooted in almost 100 years of experience, innovation and advanced technology dedicated to providing superior sealing systems for architectural openings. Our engineered parts and systems offer proven solutions to the wide range of security and life safety challenges the building team faces to ensure reliable performance in those openings. And we offer an unequalled range of product features and options for maximum specification flexibility.

On-site manufacturing and proprietary processes enable us to provide best-in-industry turnaround on parts orders. Hands-on manufacturing control also allows us to ensure consistent, unsurpassed quality in our products. We produce all rubber for our products at our plant in Ohio, making Legacy the only U.S. source in our industry for the high-quality rubber extrusions so critical to door sealing performance.

Custom orders are our special strength. We are uniquely equipped to respond promptly to specific architect or owner requirements and provide documented design solutions for your approval. Our turnaround on customized Legacy solutions is setting new standards for

the industry depending on those requirements, specification to shipment can take as little as two days.

Our capabilities and commitment also provide unique value to our OEM partners. Legacy engineers can assist you in developing proprietary OEM programs for integrated product design and independent laboratory testing. In addition to configuring sealing systems, including intumescent and high-performance acoustical applications, we are able to manufacture rubber formulations to customer specifications, or developed collaboratively.

Legacy's comprehensive offering of parts and integrated systems shown in this catalog reflects a long tradition of expertise and responsiveness in problem-solving for the door and hardware industry. Above all, we place a premium on providing the expert support you expect and need. From answering basic product and installation questions to the most complex customization requirements, our friendly, highly-trained customer service team is standing by and ready to help.

TABLE OF CONTENTS

Automatic Door Bottoms 4 - 16

How to Order	5
Heavy Duty	6 - 9
Light Duty	10
Hollow Metal Doors	11
Heavy Duty Extended Drop	12 - 13
Corner Dust Plug	13
Air Flow	14
Lead Lined for X-Ray Protection	15
End Caps	16

Door Sweeps 17 - 26

How To Order	17
Surface-Mounted	18-20
Adjustable	19
Oversized	21
Rain Drip	22
Air Flow	23
Mortised	23-25
Stainless Steel	26

Thresholds 27 - 45

How To Order	27
Accessories	28
Options	28
Adjustable Thresholds	29-30
Aluminum Thresholds (1/4")	31
Aluminum Thresholds (1/2")	32, 35
Half-Saddles	33
Carpet Saddles	34
Stop Strips	34
Rabbeted Thresholds	36
Ramps	37
Thermal Breaks	38
Interlocking Aluminum	39,40

Interlocking Bronze	39, 40
IN- Swinging Door Saddles	41
Architectural Bronze	42-43
Expansion Joint Plates	44
Diamond Plates	44
Stainless Steel	45

Self-Adhesive Gasketing 46 - 49

How To Order	46
Silicone with PSA	47
Kerf Gasketing	48
Sponge Rubber	49
Pile Brush	49

Perimeter Seals 50 - 58

How To Order	50
Strike Plate Mounting Brackets	51
Adjustable	52-54
Stainless Steel	53
Mechanically Fastened	55-58

Meeting Stiles / Astragals 59 - 66

How to Order	59
Both Doors Active	60-62
Mortised	63
Overlapping Astragals	64,65
Glass Door Solutions	66
Glass Door Gasketing	66

Specialty Hinges 67 - 70

How To Order	67
Continuous Hinges	68
Acoustical Cam Lift Hinges	69
Finger Guard Protection	70

Accurate Weatherstripping 71 - 73

How To Order	71
Interlocking Metal Weatherstrips	72 - 73
Hinge Door Springs	73

Flood Barriers 74 - 79

About Flood Barriers	74
How To Order	75
Standard Openings	76-77
Doors	76
Windows, Louvers & Fireplaces	77
Oversized Openings	78
Individual Components	79
Stackable Doors	79

Specialized Systems & Applications 80 - 90

Acoustical Systems	80-82
Miscellaneous Systems	83
Automatic Door Bottom on Stand-By	84
Nitrile	85
EMI/RFI Systems	85
Sliding Door System	86
Ligature Resistant System	87
Acoustical Soundproofing Insulation	88
Fire Protection Material	89
Legacy Rubber	90

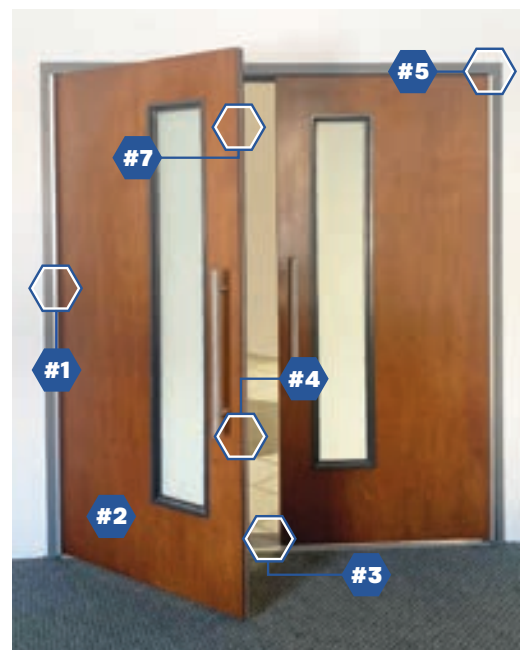
Technical Data 91 - 95

Materials	91
Finishes	92
Symbols & Standards	93
Options	94-95
Parts Index	96-97

LEGACY'S Product Code

The **first number** of each product code identifies where the product is **installed** in the opening. Other components of our product codes are explained in the How To Order sections of this catalog.

EXAMPLE - #3465MA is a threshold mounted to the floor.

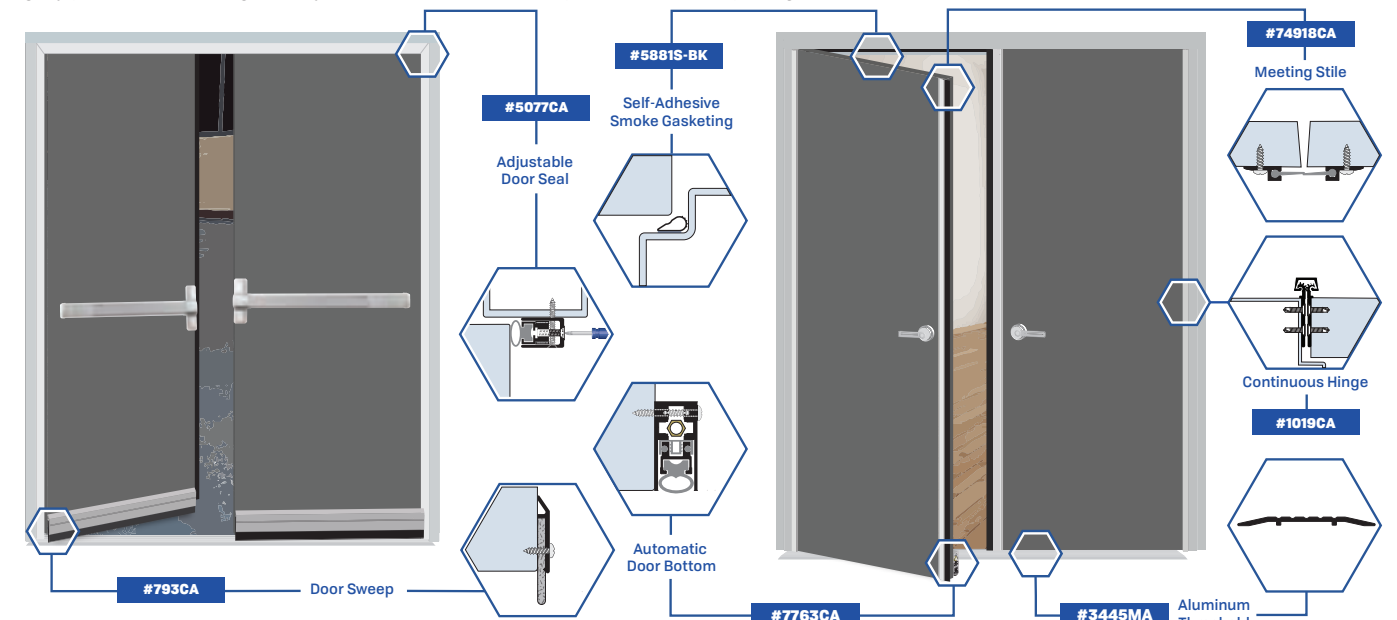


- #1 Products mounted to the **door and frame**, such as hinges and finger protection.
- #2 Products that do not have a specific mounting location, such as acoustical sheets.
- #3 Products mounted to the **floor**, such as thresholds and saddles.
- #4 **Sub-components or sub-assemblies**, such as replacement rubber parts.
- #5 Products attached to a **frame**, such as perimeter gasketing.
- #6 Specifiable **sealing systems and configurations**.
- #7 Products attached to a **door**, such as automatic door bottoms, sweeps and astragals.



Fully Integrated Sealing Solutions

Legacy provides both integrated systems and individual components for door openings, such as these representative assemblies.



Automatic Door Bottoms (ADB)

Legacy automatic door bottoms (ADB) are designed and built using proprietary rubber and highest-quality housings for superior performance and durability, even under the most challenging installed conditions. The proof is in our exhaustive cycle testing in the lab. And the best measure of performance over many years in the field is the sound of silence from satisfied customers.

Legacy's ADB product line is unsurpassed in the industry for scope and versatility. Used primarily for blocking air, noise, smoke and fire, Legacy ADBs are also available for specialized applications, such as electrical actuation, X-ray protection or allowing free air flow. Additional options help specifiers optimize the utility of our models for specific applications, and we offer a wide range of anodized and powder-coated finishes. Recent enhancements provide simplified interior design for better service life and maintenance.

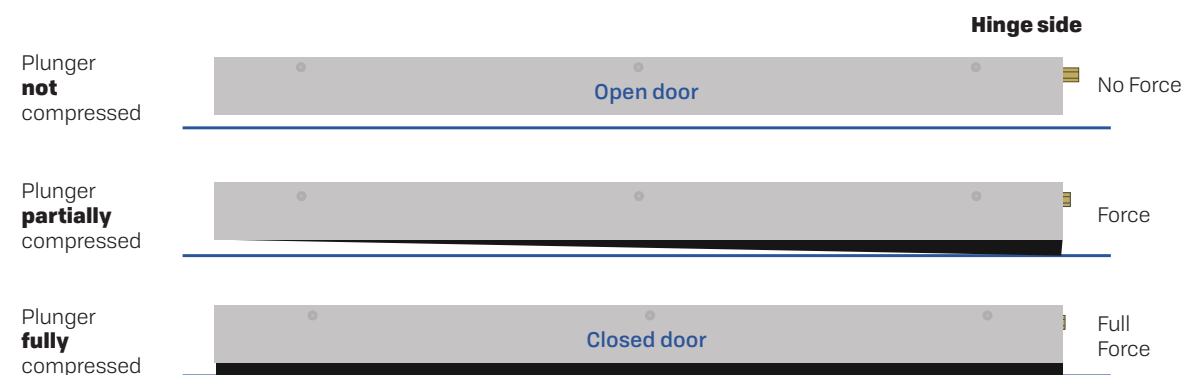
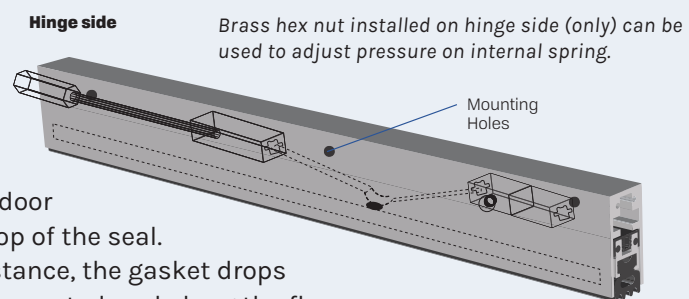
Patent-pending technology

The technology for reliable performance is the same for all standard Legacy ADBs. The rubber seal along the bottom of the unit is concealed when the door is open.

As the door closes, compression of a plunger against the door frame activates a spring mechanism that controls the drop of the seal.

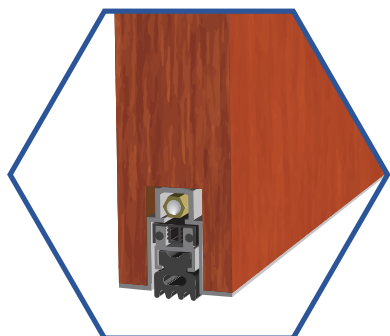
Operating from the hinge side to eliminate drag and resistance, the gasket drops down smoothly in a scissor-like motion creating an uninterrupted seal along the floor.

This self-leveling operation ensures a tight seal even on uneven surfaces. An adjustable brass hex nut attached to the plunger provides additional control to satisfy field conditions.

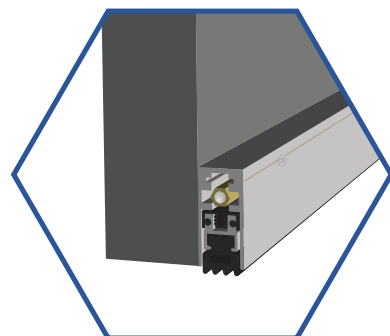


Tested over
5 million cycles

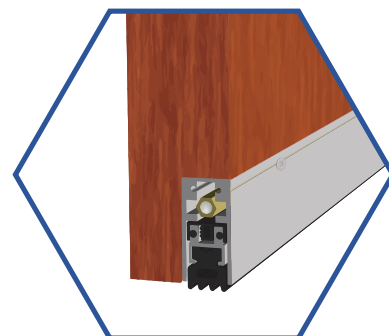
Mounting Options



Mortised
#7063CA



Surface-Mounted
#7163CA



Semi-Mortised
#7263CA

How To Order: Automatic Door Bottoms

Example #7463CA-FX-36

Easy Ways To Order

Email
Orders@LegacyLLC.com

Phone
Local: +1 (718) 292-5333
Toll Free: +1 (888) 383-3330

PART NUMBER & FINISH - OPTIONS - LENGTH (IN)

7463 - **CA** - **FX** - **36**

PART NUMBER	End Caps
7023	7563
7053	7593
7063	7663
7093	7763
7123	7793
7153	7863
7163	7963
7253	71553
7263	72553
7323	2INCHNUT
7463	545DP
7553	

FINISH

Finishes vary by product. Please check available finishes listed for each product.

- CA** - Clear Anodized
- MA** - Mill Aluminum
- BK** - Black Anodized Aluminum
- DB** - Dark Bronze Anodized Aluminum
- GD** - Gold Anodized Aluminum
- WP** - White Powder Coat

OPTIONS

Options vary by product. Please check available options listed for each product.

- Blank** - No Option
- AIR** - Air Flow
- BRW** - Brillow
- EA** - Electrical Actuator
- EMI/RFI** - Electromagnetic / Radio Frequency Interference
- EP** - Extended Plunger
- FL** - Fire Label
- FX** - Intumescent
- LIG** - Ligature Resistant
- LL** - Lead Lined
- LS** - Light Spring
- PULL** - Pull Out Out
- PV** - Pivot Doors
- SF** - Security Fasteners
- SL** - Sliding Doors
- TD** - Top Door Installation

LENGTH

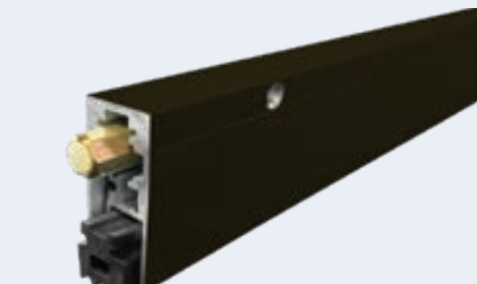
AVAILABLE SIZES - Can be manufactured to any length from 12" to 144". Please specify to nearest 1/16"



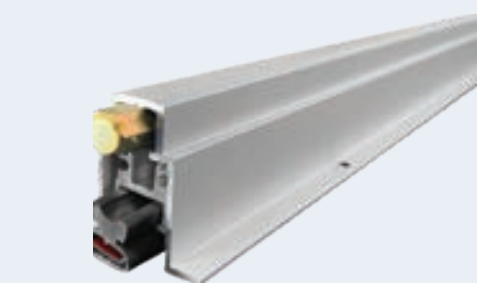
#7593CA-FX



#7763CA



#7163DB

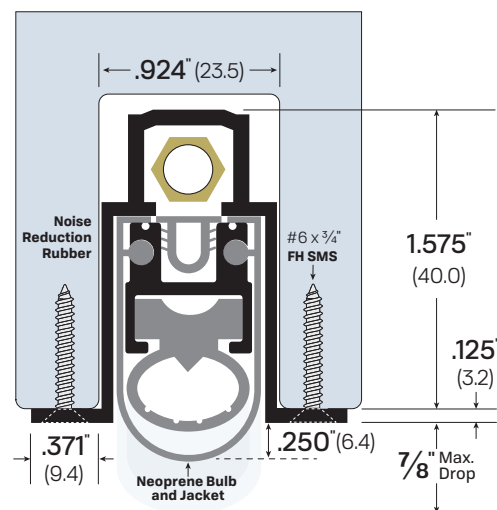


#7463CA-FX



#7553MA

#7963



Mortised

FINISHES: CA

AVAILABLE SIZES: Can be manufactured to any length from 12" to 96"

OPTIONS:

- BRW** - Brillow
- EA** - Electrical Actuator
- FL** - Fire Label
- FX** - Intumescent
- PULL** - Pull Out
- PV** - Pivot Doors
- SF** - Security Fasteners

NOTES:

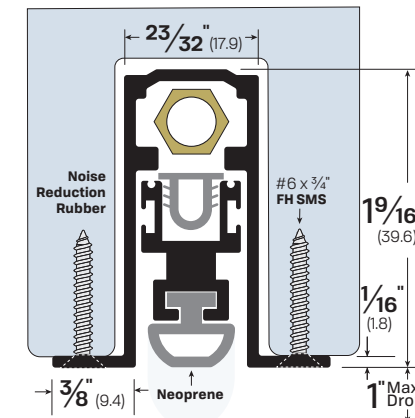
- Adjusting the brass nut changes pressure on concealed internal spring to satisfy field conditions.
- Self-leveling door seal up to maximum 7/8" drop.
- Replacement neoprene - Part #4563N and Jacket - Part #4763N
- Unit supplied with 1 pair of end caps - Part #4063EC-CA or #4063EC-MB

LEGACY	NGP	PEMKO	ZERO
7963	-	-	369AA



#7963CA

#7053



Mortised

FINISHES: CA

AVAILABLE SIZES: Can be manufactured to any length from 12" to 144"

OPTIONS:

- AIR** - Air Flow
- EA** - Electrical Actuator
- LL** - Lead Lined
- LS** - Light Spring
- PULL** - Pull Out
- PV** - Pivot Doors
- SF** - Security Fasteners
- SL** - Sliding Doors
- TD** - Top Door Installation

NOTES:

- Adjusting the brass nut changes pressure on concealed internal spring to satisfy field conditions.
- Self-leveling door seal up to maximum 1" drop.
- Replacement neoprene - Part #4053N or optional Part #4441N
- Unit supplied with 1 pair of end caps - Part #4063EC-CA or #4063EC-MB

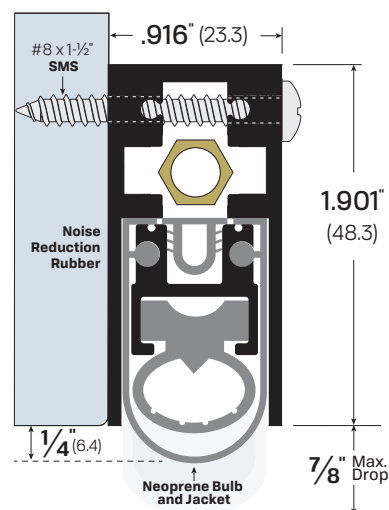
LEGACY	NGP	PEMKO	ZERO
7053	225N	434APKL	350AA



#7053CA



#7763



Surface-Mounted

FINISHES: CA, BK, DB, GD, WP

AVAILABLE SIZES: Can be manufactured to any length from 12" to 96"

OPTIONS:

- BRW** - Brillow
- EA** - Electrical Actuator
- FL** - Fire Label
- FX** - Intumescent
- PULL** - Pull Out
- PV** - Pivot Doors
- SF** - Security Fasteners

NOTES:

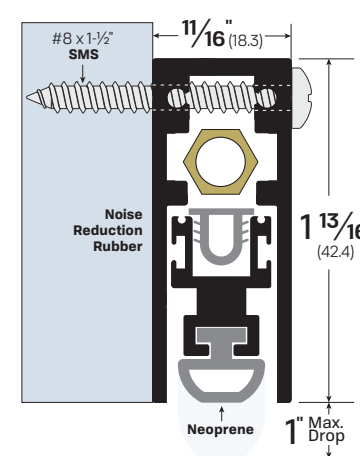
- Adjusting the brass nut changes pressure on concealed internal spring to satisfy field conditions.
- Self-leveling door seal up to maximum 7/8" drop.
- Replacement neoprene - Part #4563N and Jacket - Part #4763N
- Unit supplied with 1 pair of end caps - Part #4163EC-CA or #4163EC-MB

LEGACY	NGP	PEMKO	ZERO
7763	-	-	367AA



#7763CA

#7153



Surface-Mounted

FINISHES: CA, BK, WP

AVAILABLE SIZES: Can be manufactured to any length from 12" to 144"

OPTIONS:

- AIR** - Air Flow
- EA** - Electrical Actuator
- FL** - Fire Label
- LL** - Lead Lined
- LS** - Light Spring
- PULL** - Pull Out
- PV** - Pivot Doors
- SF** - Security Fasteners
- SL** - Sliding Doors

NOTES:

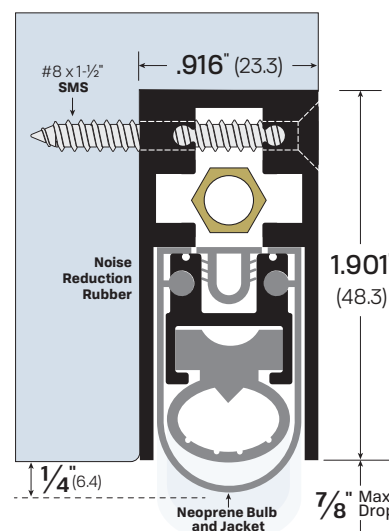
- Adjusting the brass nut changes pressure on concealed internal spring to satisfy field conditions.
- Self-leveling door seal up to maximum 1" drop.
- Replacement neoprene - Part #4053N or optional Part #4441N
- Unit supplied with 1 pair of end caps - Part #4153EC-CA or #4153EC-MB

LEGACY	NGP	PEMKO	ZERO
7153	222N	4131ASL	351AA



#7153CA

#7863



Semi-Mortised

FINISHES: CA, BK, DB, GD, WP

AVAILABLE SIZES: Can be manufactured to any length from 12" to 96"

OPTIONS:

- BRW** - Brillow
- EA** - Electrical Actuator
- FX** - Intumescent
- FL** - Fire Label
- SF** - Security Fasteners
- PULL** - Pull Out
- PV** - Pivot Doors

NOTES:

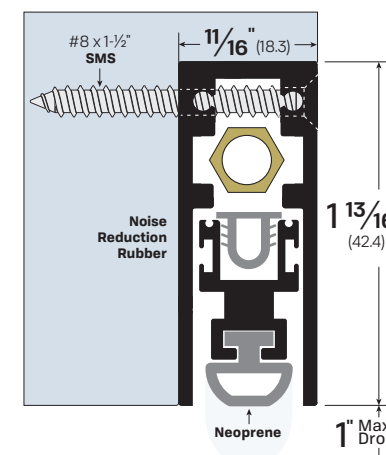
- Adjusting the brass nut changes pressure on concealed internal spring to satisfy field conditions.
- Self-leveling door seal up to maximum 7/8" drop.
- Replacement neoprene - Part #4563N and Jacket - Part #4763N
- Unit supplied with 1 pair of end caps - Part #4163EC-CA or #4163EC-MB

LEGACY	NGP	PEMKO	ZERO
7863	-	-	368AA



#7863CA

#7253



Semi-Mortised

FINISHES: CA, BK, WP

AVAILABLE SIZES: Can be manufactured to any length from 12" to 144"

OPTIONS:

- AIR** - Air Flow
- EA** - Electrical Actuator
- LL** - Lead Lined
- LS** - Light Spring
- FL** - Fire Label
- PULL** - Pull Out
- PV** - Pivot Doors
- SF** - Security Fasteners
- SL** - Sliding Doors
- TD** - Top Door Installation

NOTES:

- Adjusting the brass nut changes pressure on concealed internal spring to satisfy field conditions.
- Self-leveling door seal up to maximum 1" drop.
- Replacement neoprene - Part #4053N or optional Part #4441N
- Unit supplied with 1 pair of end caps - Part #4153EC-CA or #4153EC-MB

LEGACY	NGP	PEMKO	ZERO
7253	222N	4131ASL	352AA

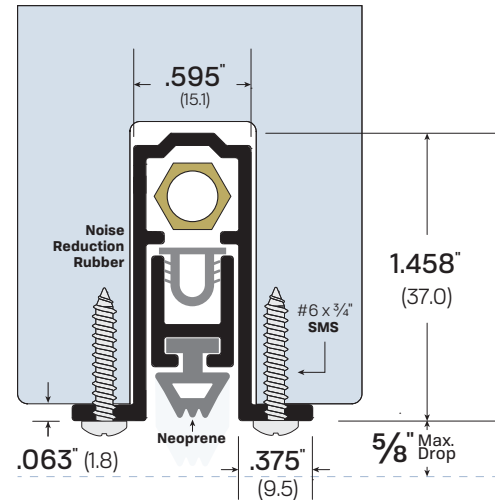


#7253CA

Automatic Door Bottoms

Automatic Door Bottoms

#7023



Mortised

FINISHES: CA

AVAILABLE SIZES: Can be manufactured to any length from 12" to 144"

OPTIONS:

- AIR** - Air Flow **LS** - Light Spring **SF** - Security Fasteners
- FL** - Fire Label **PULL** - Pull Out **SL** - Sliding Doors
- EA** - Electrical Actuator **PV** - Pivot Doors **TD** - Top Door Installation

NOTES:

- Adjusting the brass nut changes pressure on concealed internal spring to satisfy field conditions.
- Self-leveling door seal up to maximum 5/8" drop.
- Replacement neoprene - Part #4023N
- Unit supplied with 1 pair of end caps - Part #4063EC-CA or #4063EC-MB

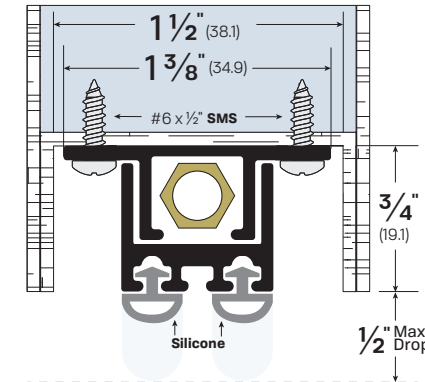
LEGACY	NGP	PEMKO	ZERO
7023	335N	411ARL	320AA



#7023CA



#7553



Mortised

FINISHES: MA

AVAILABLE SIZES: Can be manufactured to any length from 12" to 144"

OPTIONS:

- AIR** - Air Flow **LIG** - Ligature Resistant **SF** - Security Fasteners
- EA** - Electrical Actuator **LS** - Light Spring **SL** - Sliding Doors
- FL** - Fire Label **PV** - Pivot Doors **TD** - Top Door Installation

NOTES:

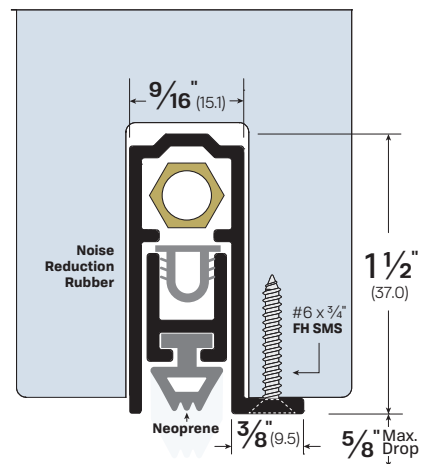
- For use on 1-3/4" and larger Hollow Metal doors
- Adjusting the brass nut changes pressure on concealed internal spring to satisfy field conditions.
- Self-leveling door seal up to maximum 1/2" drop.
- Replacement neoprene - Part #4075N
- No end caps provided

LEGACY	NGP	PEMKO	ZERO
7553	320N	420APK	355A



#7553CA

#7323



Mortised

FINISHES: CA

AVAILABLE SIZES: Can be manufactured to any length from 12" to 144"

OPTIONS:

- AIR** - Air Flow **LS** - Light Spring **SF** - Security Fasteners
- EA** - Electrical Actuator **PULL** - Pull Out **SL** - Sliding Doors
- FL** - Fire Label **PV** - Pivot Doors **TD** - Top Door Installation

NOTES:

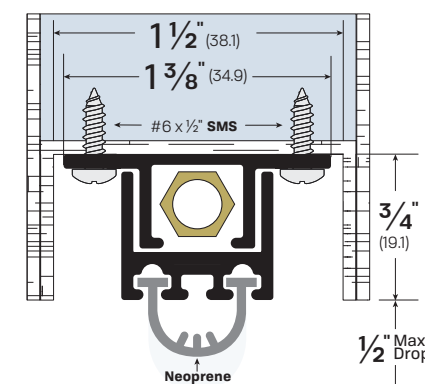
- For doors smaller than 1-3/4"
- Adjusting the brass nut changes pressure on concealed internal spring to satisfy field conditions.
- Self-leveling door seal up to maximum 5/8" drop.
- Unit is handed and can be reversed upon request.
- Replacement neoprene - Part #4023N
- Unit supplied with 1 pair of end caps - Part #4063EC-CA or #4063EC-MB

LEGACY	NGP	PEMKO	ZERO
7323	-	-	323AA



#7323CA

#71553



Mortised

FINISHES: MA

AVAILABLE SIZES: Can be manufactured to any length from 12" to 144"

OPTIONS:

- EA** - Electrical Actuator **PV** - Pivot Doors **SL** - Sliding Doors
- FL** - Fire Label **SF** - Security Fasteners **TD** - Top Door Installation
- LS** - Light Spring

NOTES:

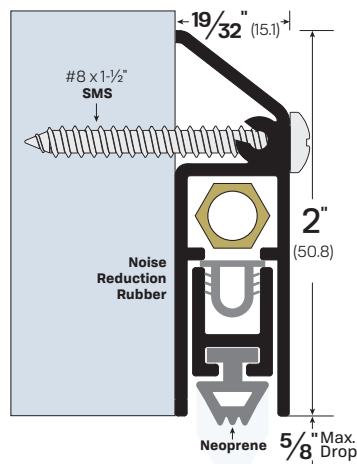
- For use on 1-3/4" and larger Hollow Metal doors
- Adjusting the brass nut changes pressure on concealed internal spring to satisfy field conditions.
- Self-leveling door seal up to maximum 1/2" drop.
- Replacement neoprene - Part #434N
- No end caps provided

LEGACY	NGP	PEMKO	ZERO
71553	-	-	3551A



#71553CA

#7123



Surface-Mounted

FINISHES: CA, BK, WP

AVAILABLE SIZES: Can be manufactured to any length from 12" to 144"

OPTIONS:

- AIR** - Air Flow **LS** - Light Spring **SF** - Security Fasteners
- EA** - Electrical Actuator **PULL** - Pull Out **SL** - Sliding Doors
- FL** - Fire Label **PV** - Pivot Doors

NOTES:

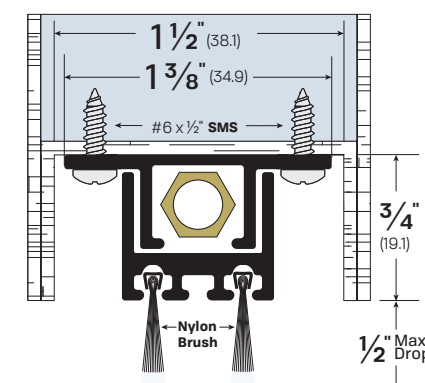
- Adjusting the brass nut changes pressure on concealed internal spring to satisfy field conditions.
- Self-leveling door seal up to maximum 5/8" drop.
- Unit is handed and can be reversed upon request.
- Replacement neoprene - Part #4023N
- No end caps provided

LEGACY	NGP	PEMKO	ZERO
7123	220N	412ARL	321AA



#7123CA

#72553



Mortised

FINISHES: MA

AVAILABLE SIZES: Can be manufactured to any length from 12" to 144"

OPTIONS:

- AIR** - Air Flow **LIG** - Ligature Resistant **SL** - Sliding Doors
- EA** - Electrical Actuator **PV** - Pivot Doors **TD** - Top Door Installation
- LS** - Light Spring **SF** - Security Fasteners

NOTES:

- For use on 1-3/4" and larger Hollow Metal doors
- Adjusting the brass nut changes pressure on concealed internal spring to satisfy field conditions.
- Self-leveling door seal up to maximum 1/2" drop.
- Replacement Nylon Brush - Part #4075NB
- No end caps provided

LEGACY	NGP	PEMKO	ZERO
72553	-	-	3552A



#72553CA

Extended Drop Door Bottoms for Use On Doors With Excessive Gaps (Patent Pending)

Developed in response to specific user requirements, our new extended drop automatic door bottom solves two common problems. Its integrated design features a unique sloped top casing designed to slough off rain water and prevent pooling on top of the ADB housing in exterior applications. It simplifies installation by eliminating the need for adding a separate rain drip part to the door bottom.

Providing up to a 1.5 inch drop, deeper than typical ADBs, this unit is also designed to help compensate for drop differentials found in door installations with large gradients or slope conditions on one side of the door. The deep drop can also be useful for exterior installations where floor surfaces may be degraded by weather exposure. The deeper drop allows smooth door function in spite these conditions, which can otherwise cause door bottoms to drag and stick.

FINISHES: CA, MB, WP

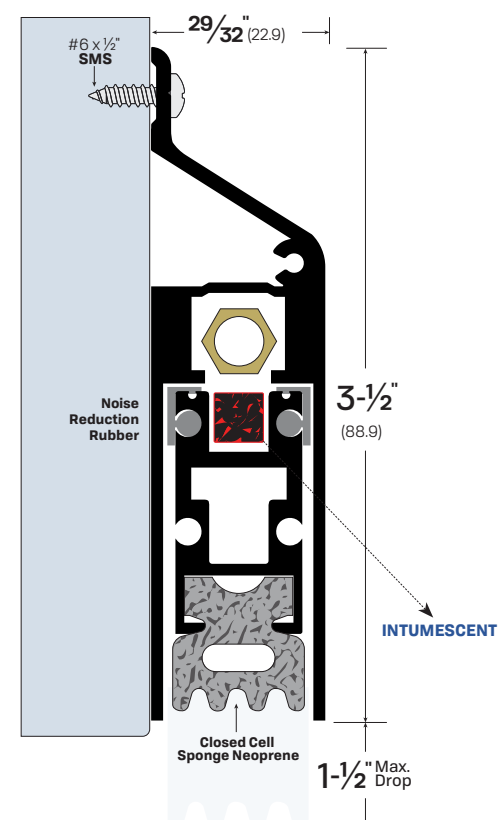
AVAILABLE SIZES: Can be manufactured to any length from 12" to 96"

OPTIONS: FX - Intumescent SF - Security Fasteners

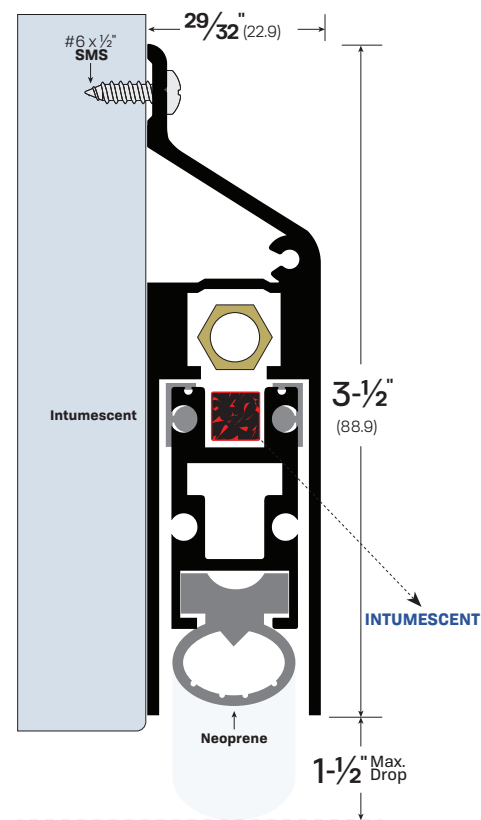
NOTES:

- For use on doors with an excessive undercut or uneven floor.
- Adjusting the brass nut changes pressure on concealed internal spring to satisfy field conditions.
- Self-leveling door seal up to maximum 1-1/2" drop.
- Unit supplied with 1 pair of end caps - Part #4093EC-CA or #4093EC-MB

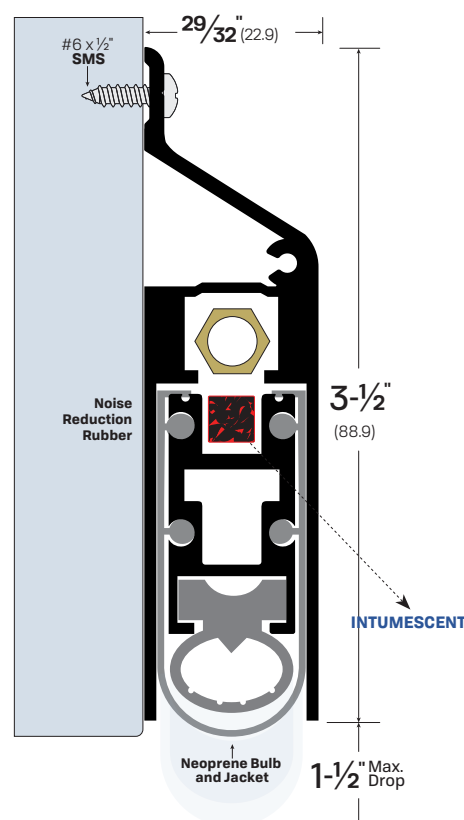
#7093-FX



#7593-FX



#7793-FX



#7093-FX



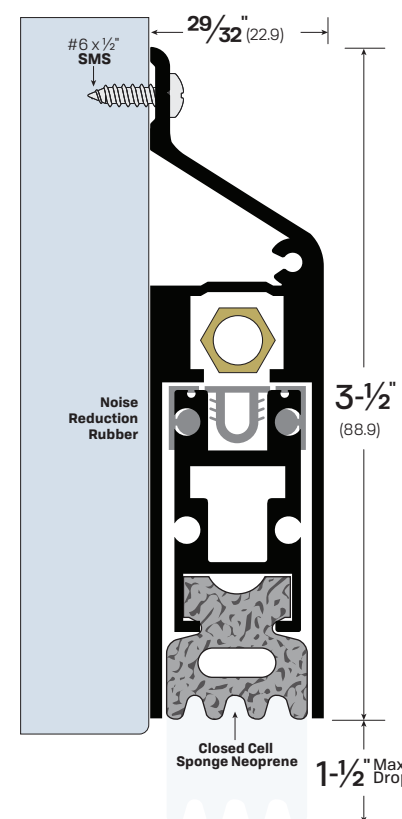
#7593-FX



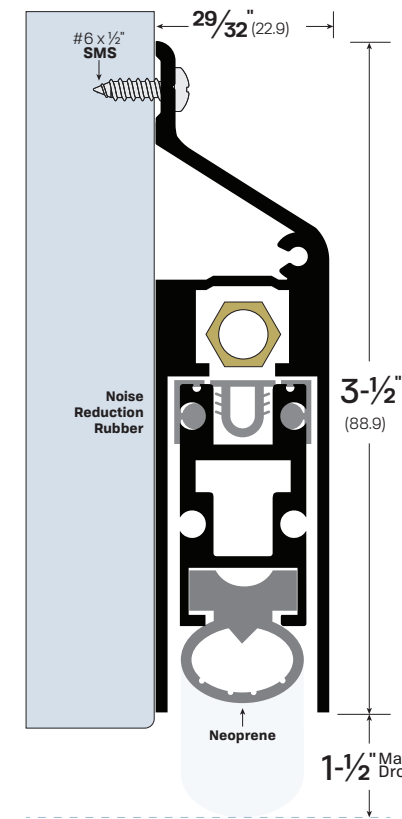
#7793-FX

#7593-FX may be used to restore lost fire ratings due to excessive gaps at the bottom of the door up to 1-1/2" when installed per NFPA 80.

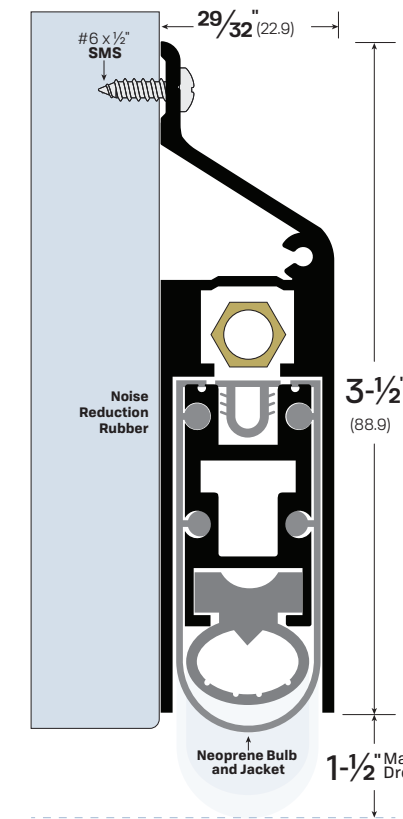
#7093



#7593



#7793



FINISHES: CA, MB, WP

AVAILABLE SIZES: Can be manufactured to any length from 12" to 96"

OPTIONS: FX - Intumescent SF - Security Fasteners

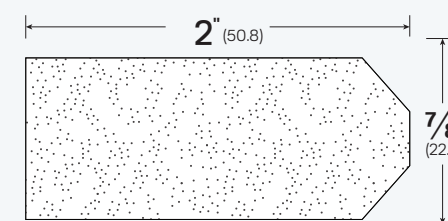
NOTES:

- For use on doors with an excessive undercut or uneven floor.
- Adjusting the brass nut changes pressure on concealed internal spring to satisfy field conditions.
- Self-leveling door seal up to maximum 1-1/2" drop.
- Unit supplied with 1 pair of end caps - Part #4093EC-CA or #4093EC-MB

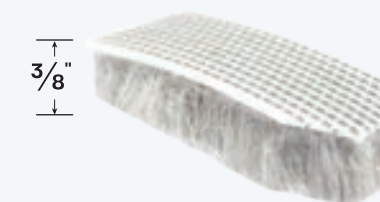


#7593-CA

#545DP Corner Dust Plug



FINISHES: BK, GY, WH



HOW TO ORDER: #545DP

LEGACY	NGP	PEMKO	ZERO
545DP	54CP	ACPI12BL	2541



Automatic Door Bottoms

Automatic Door Bottoms

Air Flow

This option allows free flow of air while still blocking light at the bottom of the door. Useful for applications with pressure differentials, such as boiler room doors, it is also a practical solution for certain hotel room and stairwell applications.

Our AIR design features double rows of notched and staggered neoprene seals for effective air flow. Legacy automatic door bottoms offered with the AIR option include a unique mortised model for wood doors, along with standard semi-mortised and surface-mounted models.

LEGACY	7053-AIR	7153-AIR	7253-AIR
NGP	-	-	-
PEMKO	-	-	-
ZERO	-	-	-

AVAILABLE SIZES: Can be manufactured to any length from 12" to 144"

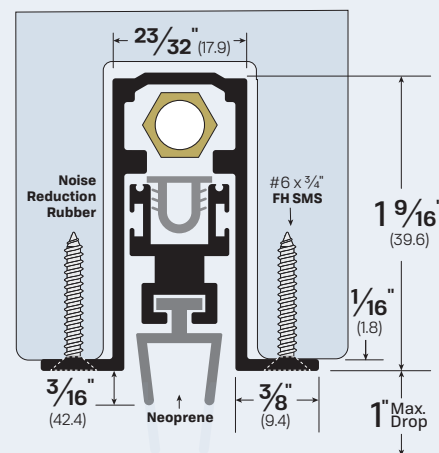
NOTES:

- Adjusting the brass nut changes pressure on concealed internal spring to satisfy field conditions.
- Self-leveling door seal up to maximum 1" drop.
- Replacement neoprene - Part #4033N
- Unit supplied with 1 pair of end caps - Part #4063EC-CA or #4063EC-MB



#7153CA-AIR

#7053-AIR



FINISHES: CA

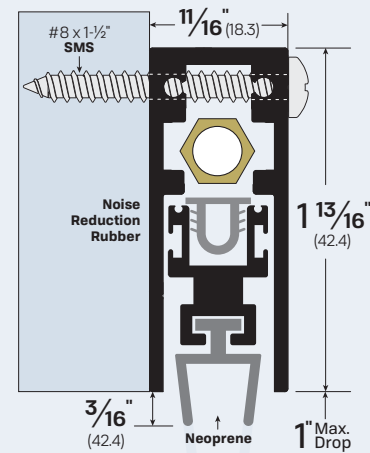
OPTIONS:

- EA - Electrical Actuator
- PV - Pivot Door
- LS - Light Spring
- SF - Security Fasteners
- PULL - Pull Out



#7053CA-AIR

#7153-AIR



FINISHES: CA, BK, WP

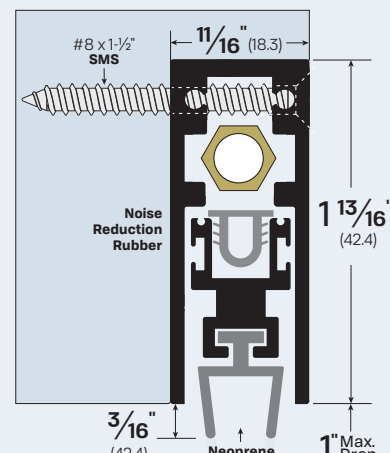
OPTIONS:

- EA - Electrical Actuator
- PV - Pivot Door
- LS - Light Spring
- SF - Security Fasteners
- PULL - Pull Out



#7153CA-AIR

#7253-AIR



FINISHES: CA, BK, WP

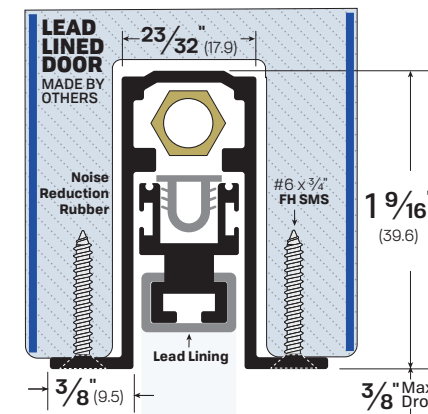
OPTIONS:

- EA - Electrical Actuator
- PV - Pivot Door
- LS - Light Spring
- SF - Security Fasteners
- PULL - Pull Out



#7253CA-AIR

#7053-LL



Mortised

FINISHES: CA

AVAILABLE SIZES - Can be manufactured to any length from 12" to 48"

OPTIONS:

- EA - Electrical Actuator
- PV - Pivot Doors
- SL - Sliding Doors
- LL - Lead Lined
- SF - Security Fasteners
- TD - Top Door Installation
- PULL - Pull Out

NOTES:

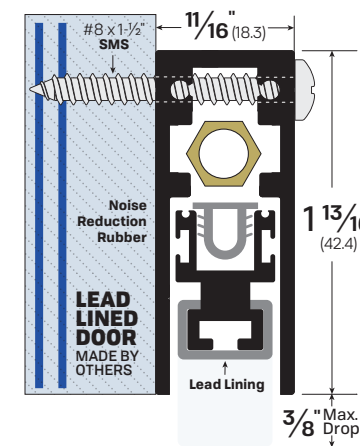
- Lead Lined material for X-Ray protection
- Adjusting the brass nut changes pressure on concealed internal spring to satisfy field conditions.
- Self-leveling door seal up to maximum 3/8" drop.
- Unit supplied with 1 pair of end caps - Part #4063EC-CA or #4063EC-MB
- Effective drop 1/4"

LEGACY	NGP	PEMKO	ZERO
7053-LL	222NN-LL	-	-



#7053CA-LL

#7153-LL



Surface-Mounted

FINISHES: CA, BK, WP

AVAILABLE SIZES - Can be manufactured to any length from 12" to 48"

OPTIONS:

- EA - Electrical Actuator
- PV - Pivot Doors
- SL - Sliding Doors
- LL - Lead Lined
- SF - Security Fasteners
- TD - Top Door Installation
- PULL - Pull Out

NOTES:

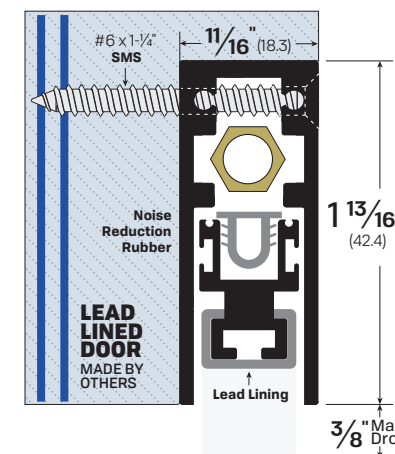
- Lead Lined material for X-Ray protection
- Adjusting the brass nut changes pressure on concealed internal spring to satisfy field conditions.
- Self-leveling door seal up to maximum 3/8" drop.
- Unit supplied with 1 pair of end caps - Part #4153EC-CA or #4153EC-MB

LEGACY	NGP	PEMKO	ZERO
7153-LL	222NN-LL	-	-



#7153CA-LL

#7253-LL



Semi-Mortised

FINISHES: CA, BK, WP

AVAILABLE SIZES - Can be manufactured to any length from 12" to 48"

OPTIONS:

- EA - Electrical Actuator
- PV - Pivot Doors
- TD - Top Door Installation
- LL - Lead Lined
- SL - Sliding Doors
- SF - Security Fasteners

NOTES:

- Lead Lined material for X-Ray protection
- Adjusting the brass nut changes pressure on concealed internal spring to satisfy field conditions.
- Self-leveling door seal up to maximum 3/8" drop.
- Unit supplied with 1 pair of end caps - Part #4153EC-CA or #4153EC-MB

LEGACY	NGP	PEMKO	ZERO
7253-LL	222NN-LL	-	-



#7253CA-LL

Automatic Door Bottoms

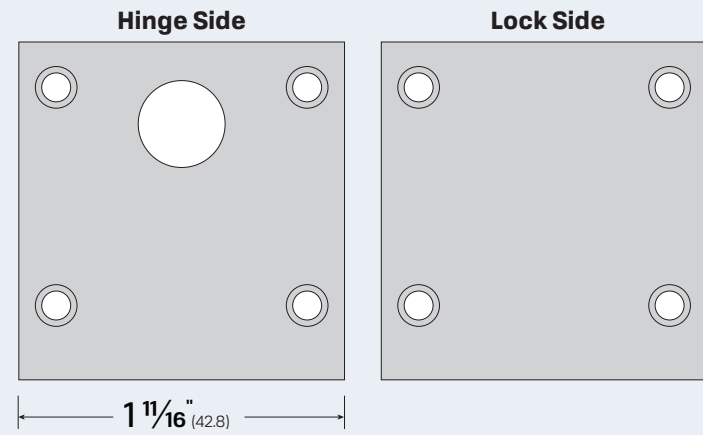
Automatic Door Bottoms

End Caps

NOTES:

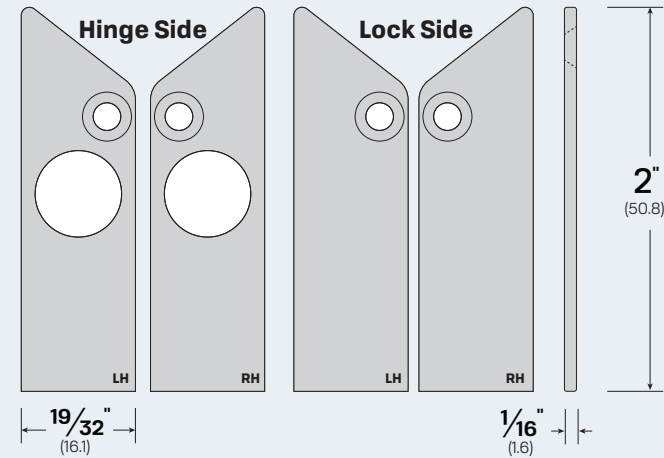
- Standard finish is Clear Anodized Aluminum (CA). Pair supplied standard as noted below.
- Matte Black (MB) finish option is available. Example Order: #4153EC-MB

#749EC



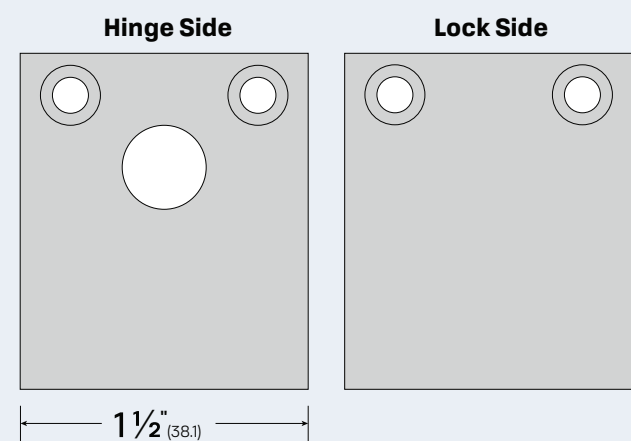
#749EC-SP
Optional end cap for mortised door bottoms with the PULL option. Specify #749EC to order.

#4123EC



#4123EC-CA or #4123EC-MB
Pair supplied standard with: #7123

#4023EC



#4023EC-CA or #4023EC-MB
Pair supplied standard with: #7023, #7323



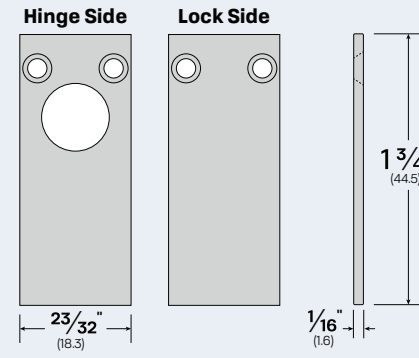
#2INCHNUT

Extension Nut

NOTES:

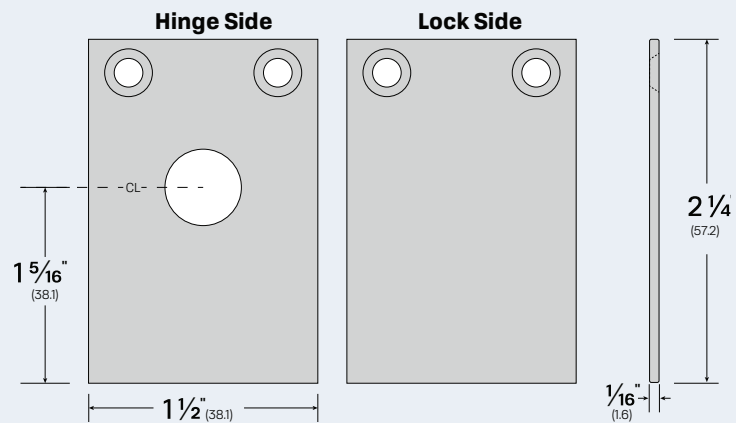
- Longer than standard hexnut (1-1/4").
- Compensates for unusually large gap between the door and frame.

#4153EC



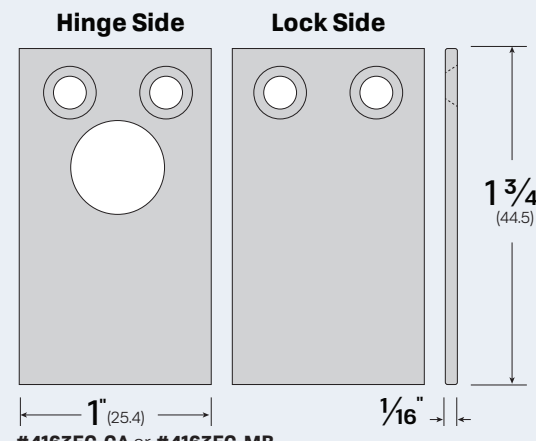
#4153EC-CA or #4153EC-MB
Pair supplied standard with: #7153, #7253

#4063EC



#4063EC-CA or #4063EC-MB
Pair supplied standard with: #7053, #7063, #7463, #7963

#4163EC



#4163EC-CA or #4163EC-MB
Pair supplied standard with: #7163, #7263, #7563, #7663, #7763, #7863

How To Order: Door Sweeps

EXAMPLE #7823CA-LIG-36

Easy Ways To Order

Email

Orders@LegacyLLC.com

Phone

Local: +1 (718) 292-5333
Toll Free: +1 (888) 383-3330

PART NUMBER & FINISH - OPTIONS - LENGTH

7823 **CA** - **LIG** - **36**

PART #	7823	CA	LIG	36
711	7552	78918		
718	7583	79408N		
725	7752	7W933		
727	7774			
735	7823			
739	7835			
759	7836			
769	7852			
779	7891			
793	7923			
5241	7933			
7011	7936			
7111	7991			
7112	71518			
7115	71918			
7175	72918			
7178	73918			
7183	74453			
7283	74918			
7254	76453			
7351	77918			
7352	79418			
7451				
7452				

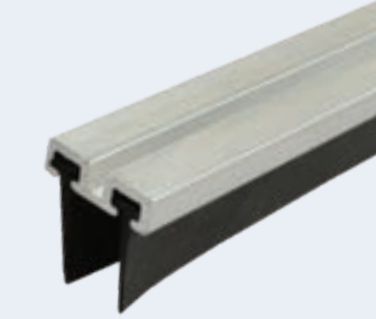
FINISH
Finishes vary by product. Please check available finishes listed for each product.
CA - Clear Anodized Aluminum
MA - Mill Aluminum
BK - Black Anodized Aluminum
DB - Dark Bronze Anodized Aluminum
MB - Matte Black Powder Coat
WP - White Powder Coat
BR - Architectural Bronze
SS - Stainless Steel

OPTIONS
Options vary by product. Please check available options listed for each product.
Blank - No Option
AIR - Air Flow
FL - Fire Label
LIG - Ligature Resistant
NIT - Nitrile Extrusion
ORB - Oil-Rubbed Bronze
POL - Polished Bronze
PSA - Pressure Sensitive Adhesive
SF - Security Fasteners

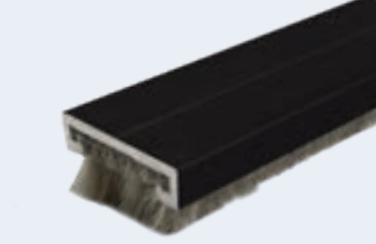
LENGTH Please specify to nearest 1/8"



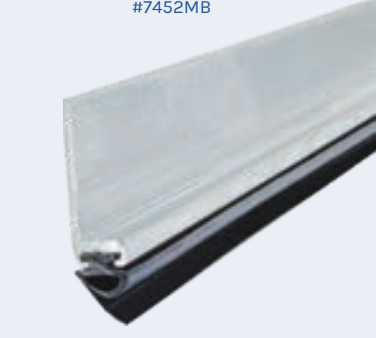
#7933SS



#7183MA



#7452MB

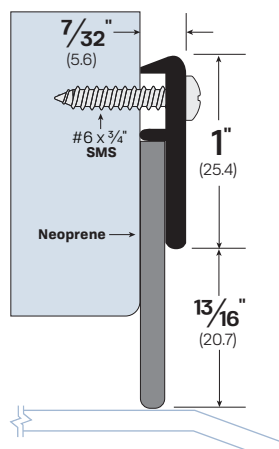


#799MA



#7774DB

#7933



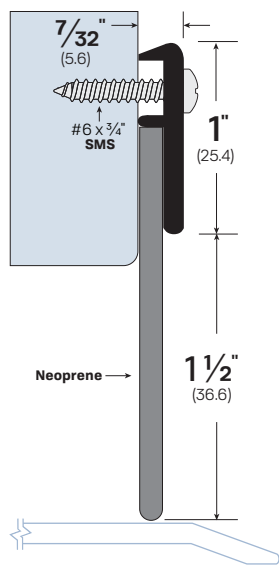
FINISHES: CA, BK, WP, BR

OPTIONS:

- FL - Fire Label
- LIG - Ligature Resistant
- ORB - Oil-Rubbed Bronze
- POL - Polished Bronze
- SF - Security Fasteners

LEGACY	NGP	PEMKO	ZERO
7933	198A	321N	339AA

#7W933



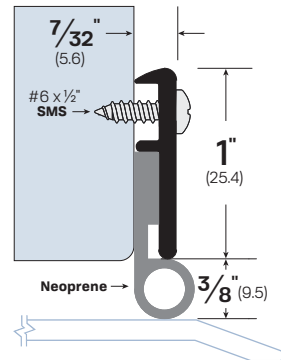
FINISHES: CA, BK, WP, BR

OPTIONS:

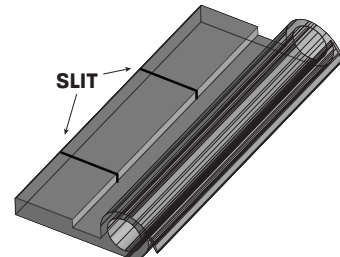
- FL - Fire Label
- LIG - Ligature Resistant
- ORB - Oil-Rubbed Bronze
- POL - Polished Bronze
- SF - Security Fasteners

LEGACY	NGP	PEMKO	ZERO
7W933	197A	321	339WA

#7823



LIG - Ligature Resistant
Slits spaced every 8"



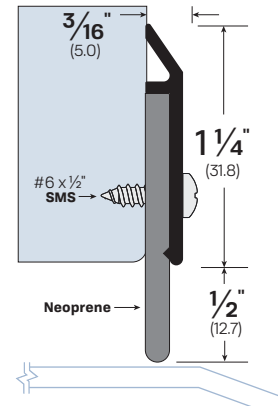
FINISHES: CA, BK, WP, BR

OPTIONS:

- FL - Fire Label
- LIG - Ligature Resistant
- ORB - Oil-Rubbed Bronze
- POL - Polished Bronze
- SF - Security Fasteners

LEGACY	NGP	PEMKO	ZERO
7823	137A	319N	328AA

#793

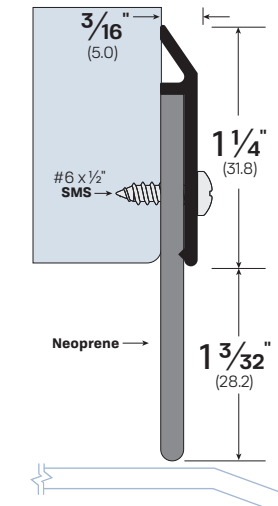


FINISHES: MA, DB, MB, WP, SS

OPTIONS: SF - Security Fasteners

LEGACY	NGP	PEMKO	ZERO
793	200N	315CN	39A

#7836

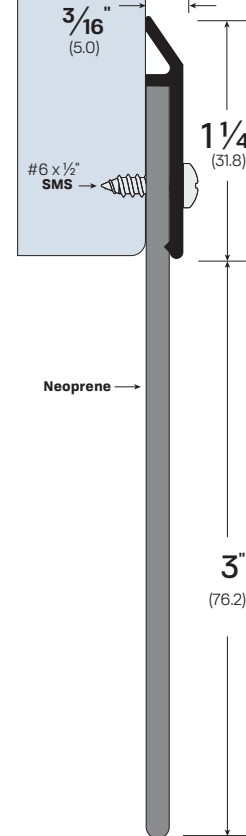


FINISHES: MA, DB, MB, WP, SS

OPTIONS: SF - Security Fasteners

LEGACY	NGP	PEMKO	ZERO
7836	199N	315KN	39WA

#7936



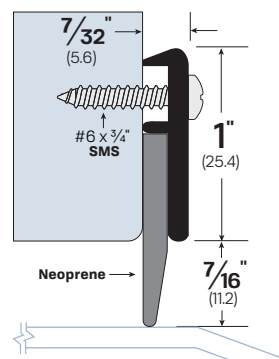
FINISHES: MA, DB, MB, WP, SS

OPTIONS: SF - Security Fasteners

NOTES:
Perfect for oversized gaps

LEGACY
7936
NGP
-
PEMKO
-
ZERO
639AA

#7923



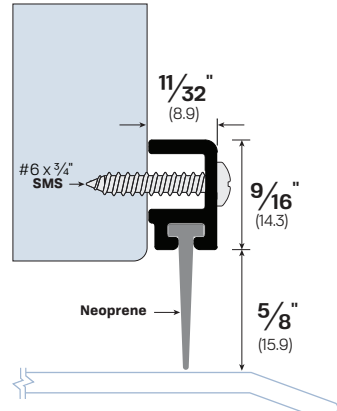
FINISHES: CA, BK, WP, BR

OPTIONS:

- BR - Architectural Bronze
- ORB - Oil-Rubbed Bronze
- POL - Polished Bronze
- SF - Security Fasteners

LEGACY	NGP	PEMKO	ZERO
7923	198A	-	329AA

#7583



FINISHES: CA, BK, WP

OPTIONS:

- FL - Fire Label
- SF - Security Fasteners

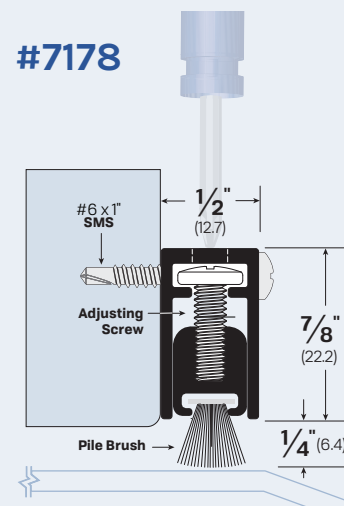
LEGACY	NGP	PEMKO	ZERO
7583	-	-	-



Door Sweep #7933CA mounted to a door.

ADJUSTABLE DOOR SWEEPS

#7178

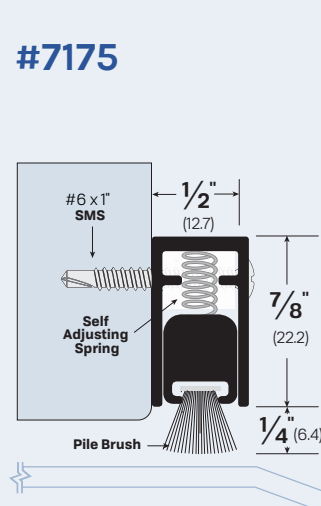


FINISHES: CA, BK, WP

OPTIONS: SF - Security Fasteners

LEGACY	NGP	PEMKO	ZERO
7178	140P	351_P	871AA

#7175

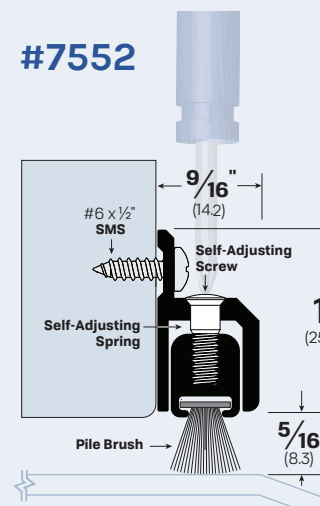


FINISHES: CA, BK, WP

OPTIONS: SF - Security Fasteners

LEGACY	NGP	PEMKO	ZERO
7175	-	-	571AA

#7552



FINISHES: CA, BK, WP

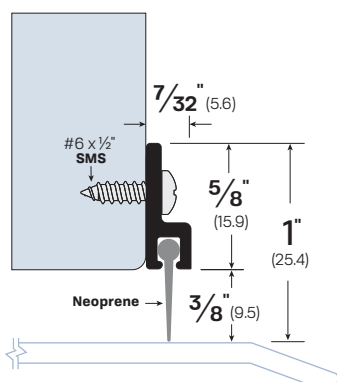
OPTIONS: SF - Security Fasteners

LEGACY	NGP	PEMKO	ZERO
7552	140P	351_P	255A



Door Sweep #74918 mounted to a pair of doors.

#74918

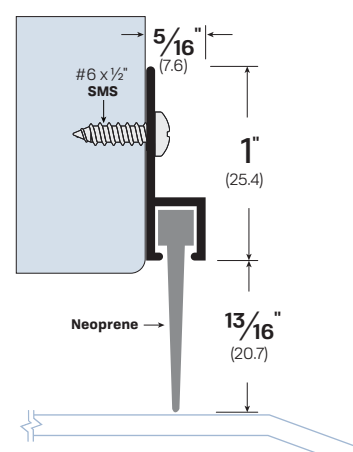


FINISHES: CA, BK, WP

OPTIONS:
FL - Fire Label SF - Security Fasteners
PSA - Pressure Sensitive Adhesive

LEGACY	NGP	PEMKO	ZERO
74918		308APK	8194AA

#71918



FINISHES: CA, BK, WP

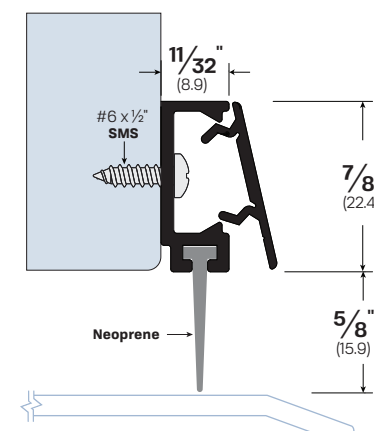
OPTIONS: SF - Security Fasteners

LEGACY	NGP	PEMKO	ZERO
71918	97V	307	8191AA



#72918CA

#7774



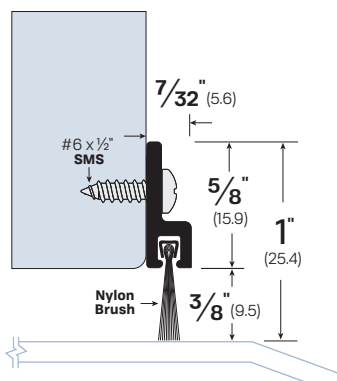
FINISHES: CA, BK, WP

OPTIONS: FL - Fire Label

NOTES: End caps available by request #474CA-EC

LEGACY	NGP	PEMKO	ZERO
7774	678	29326	477AA

#73918

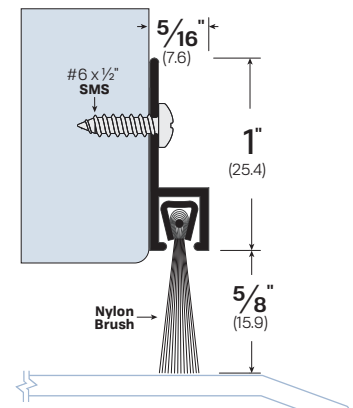


FINISHES: CA, BK, WP

OPTIONS:
SF - Security Fasteners
PSA - Pressure Sensitive Adhesive

LEGACY	NGP	PEMKO	ZERO
73918	A605	18041CNB	8193AA

#72918

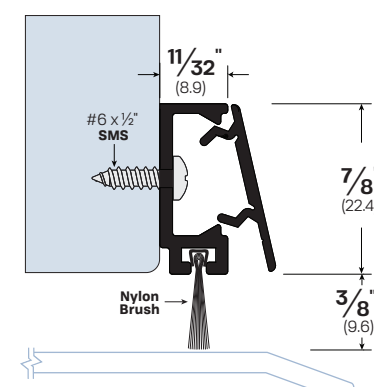


FINISHES: CA, BK, WP

OPTIONS:
PSA - Pressure Sensitive Adhesive
SF - Security Fasteners

LEGACY	NGP	PEMKO	ZERO
72918	C607	18061ANB	8192AA

#718

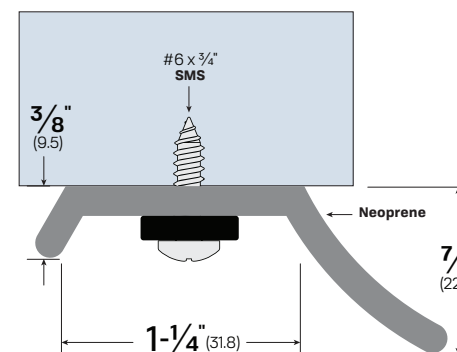


FINISHES: CA, BK, WP

NOTES: End caps available by request #474CA-EC

LEGACY	NGP	PEMKO	ZERO
718	672	-	-

#79408N

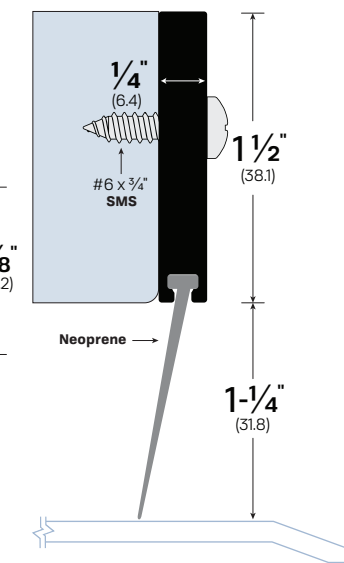


FINISHES: MA, SS

OPTIONS: SF - Security Fasteners

LEGACY	NGP	PEMKO	ZERO
79408N	-	-	8049R

#759

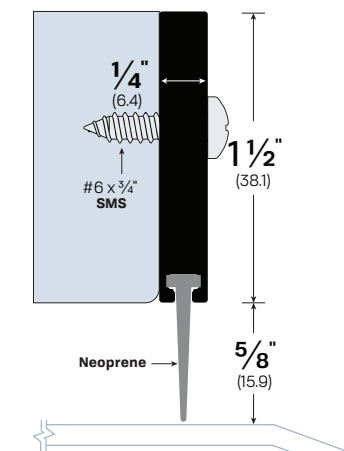


FINISHES: MA, MB, WP

OPTIONS: SF - Security Fasteners

LEGACY	NGP	PEMKO	ZERO
759	-	-	95AA

#779

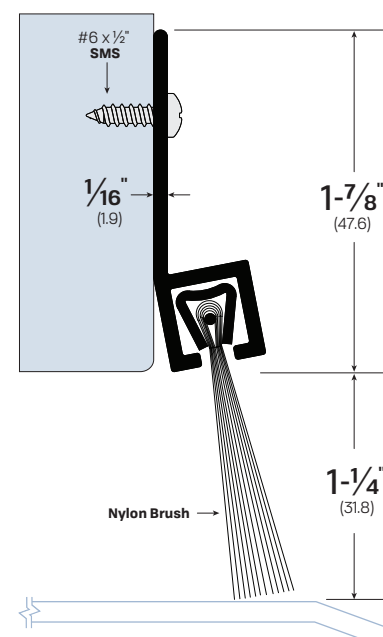


FINISHES: MA, MB, WP

OPTIONS: SF - Security Fasteners

LEGACY	NGP	PEMKO	ZERO
779	-	-	-

#769

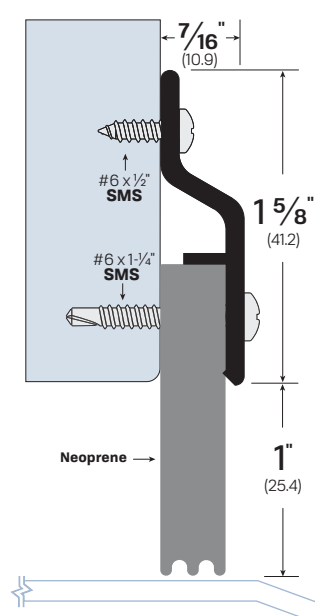


FINISHES: MA, MB, WP

OPTIONS: SF - Security Fasteners

LEGACY	NGP	PEMKO	ZERO
769	D608	-	96A

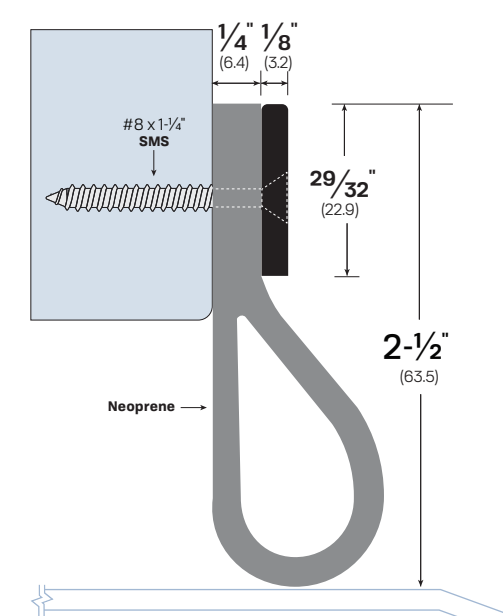
#7835



FINISHES: CA, BK, WP

LEGACY	NGP	PEMKO	ZERO
7835	202N	368_N	539AA

#739



FINISHES: MA, MB, WP, SS

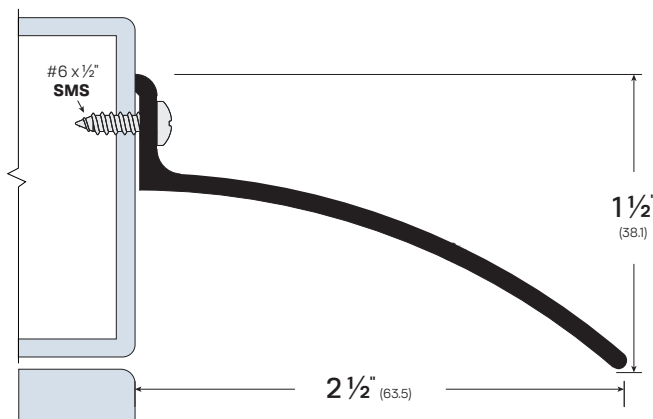
OPTIONS: SF - Security Fasteners

LEGACY	NGP	PEMKO	ZERO
739	81369N	E199X196A	93A

Door Sweeps

Door Sweeps

#5241



FINISHES: MA, MB, WP, SS

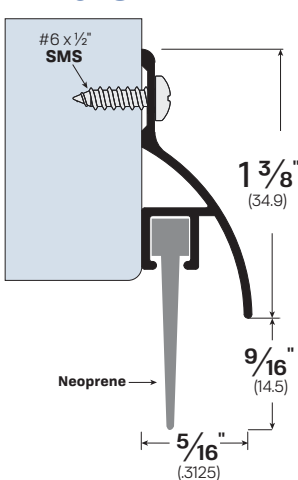
OPTIONS: SF - Security Fasteners

NOTES:

- Top of door rain drip
- Order length should be specified a minimum of 4" longer than door width.

LEGACY	NGP	PEMKO	ZERO
5241	16	346C	142AA

#77918

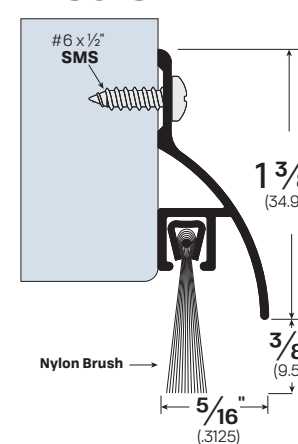


FINISHES: CA, BK, WP

OPTIONS: SF - Security Fasteners

LEGACY	NGP	PEMKO	ZERO
77918	101V	345AV	8197AA

#78918

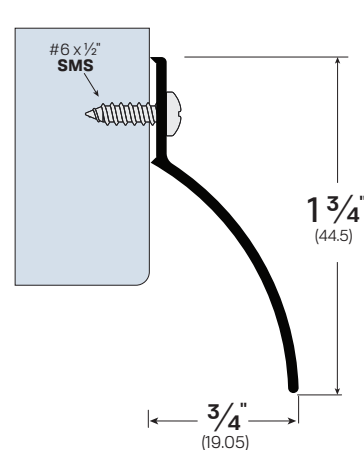


FINISHES: CA, BK, WP

OPTIONS: SF - Security Fasteners

LEGACY	NGP	PEMKO	ZERO
78918	C627	3452ANB	8198AA

#711



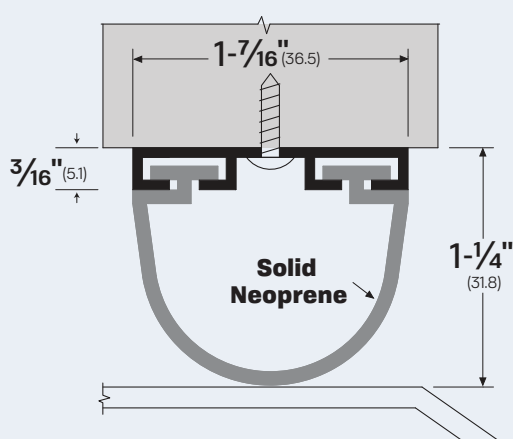
FINISHES: CA, MB, WP

OPTIONS: SF - Security Fasteners

LEGACY	NGP	PEMKO	ZERO
711	17	345C	11A

For Overhead Doors

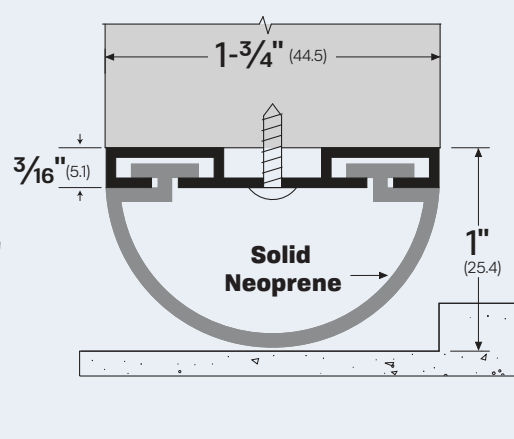
#7254MA



FINISHES: MA

LEGACY	NGP	PEMKO	ZERO
7254MA	-	-	452A

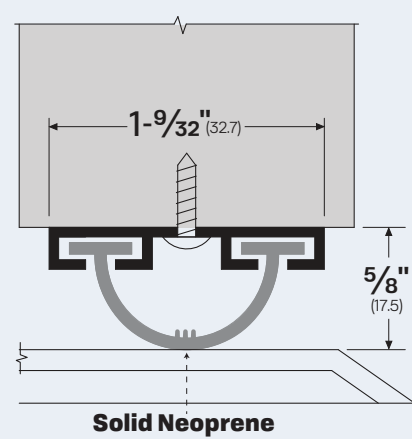
#727MA



FINISHES: MA

LEGACY	NGP	PEMKO	ZERO
727MA	-	-	72A

#725MA



FINISHES: MA

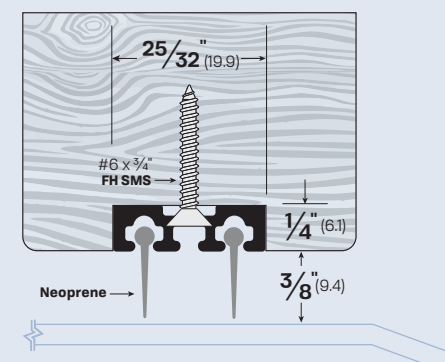
LEGACY	NGP	PEMKO	ZERO
725MA	-	-	52A

Mortised AIR Sweep

This option allows free flow of air while still blocking light at the bottom of the door. Useful for applications with pressure differentials, such as boiler room doors, it is also a practical solution for certain hotel room and stairwell applications.

Our AIR design features double rows of notched and staggered neoprene seals for effective air flow.

#76453



FINISHES: MA

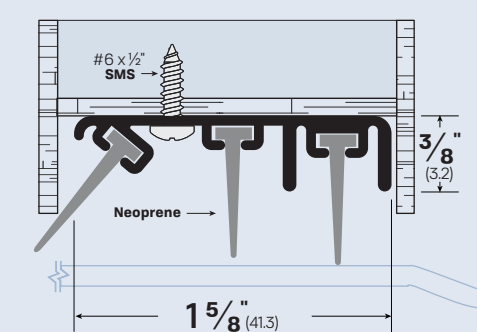
OPTIONS: AIR - Air Flow

LEGACY	NGP	PEMKO	ZERO
76453	12T	-	3546A



#76453CA

#7283

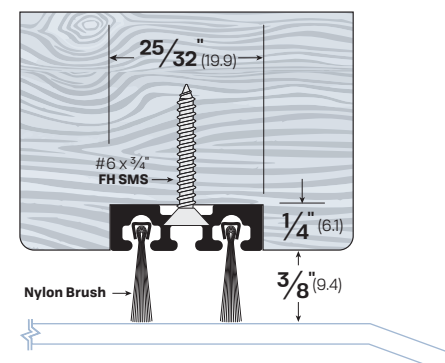


FINISHES: CA

OPTIONS: AIR - Air Flow

LEGACY	NGP	PEMKO	ZERO
7283	-	-	-

#74453

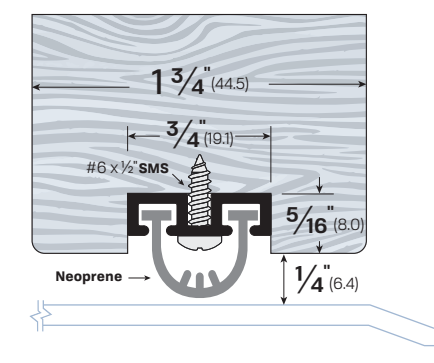


FINISHES: MA

OPTIONS: AIR - Air Flow

LEGACY	NGP	PEMKO	ZERO
74453	-	-	-

#735



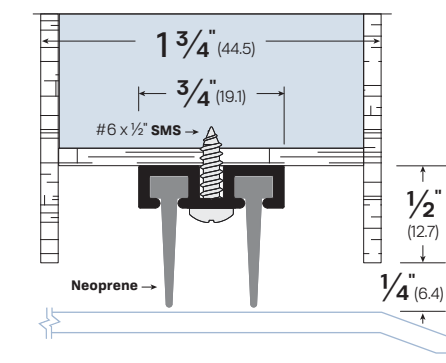
FINISHES: MA

NOTES: Rubber is Field Reversible

LEGACY	NGP	PEMKO	ZERO
735	116N	313AN	53A



#7183



FINISHES: MA

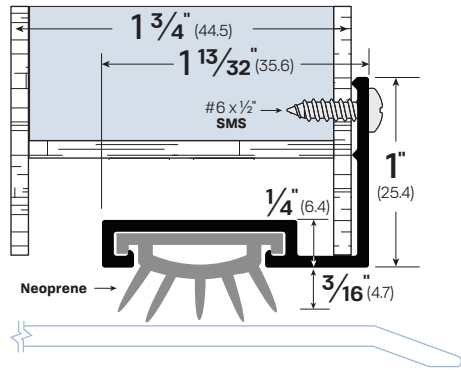
OPTIONS: AIR - Air Flow

LEGACY	NGP	PEMKO	ZERO
7183	-	-	381A

Door Sweeps

Door Sweeps

#7351



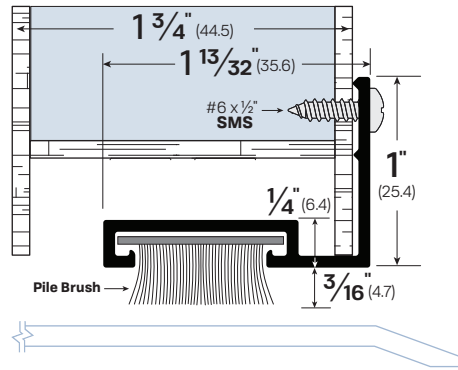
FINISHES: MA, MB, WP

OPTIONS:

- FX - Intumescent
- NIT - Nitrile Extrusion
- SF - Security Fasteners

LEGACY	NGP	PEMKO	ZERO
7351	113N	-	153A

#7451



FINISHES: MA, MB, WP

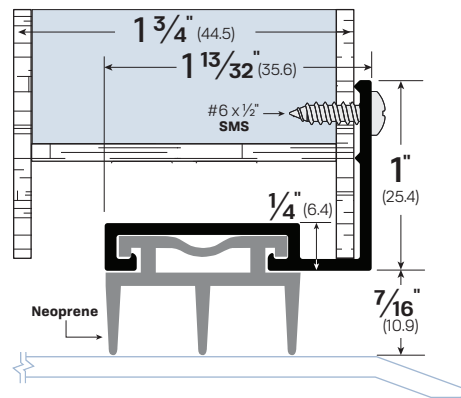
OPTIONS: SF - Security Fasteners

NOTES:

- Grey pile brush standard
- Specify for black pile (PB-BK) or white pile (PB-WH)

LEGACY	NGP	PEMKO	ZERO
7451	-	-	154A

#7752



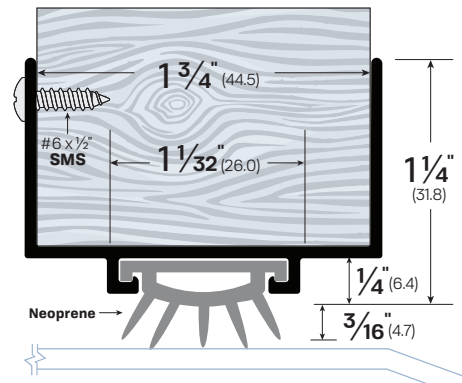
FINISHES: MA, MB, WP

OPTIONS:

- FX - Intumescent
- SF - Security Fasteners

LEGACY	NGP	PEMKO	ZERO
7752	-	-	-

#7111



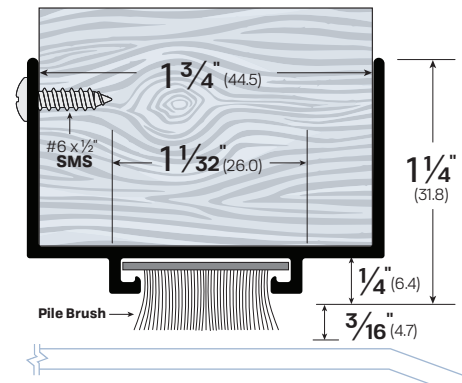
FINISHES: MA, MB, WP

OPTIONS:

- FX - Intumescent
- NIT - Nitrile Extrusion
- SF - Security Fasteners

LEGACY	NGP	PEMKO	ZERO
7111	26N	-	111AA

#7011



FINISHES: MA, MB, WP

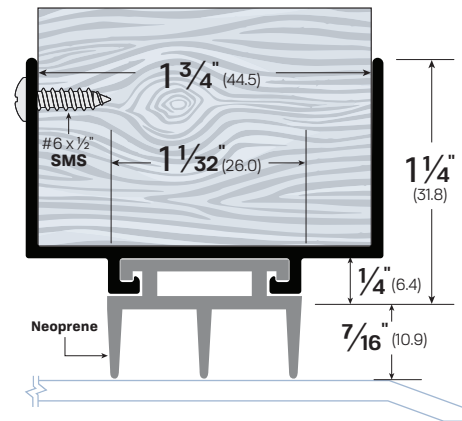
OPTIONS: SF - Security Fasteners

NOTES:

- Grey pile brush standard
- Specify for black pile (PB-BK) or white pile (PB-WH)

LEGACY	NGP	PEMKO	ZERO
7011	-	-	110A

#7112



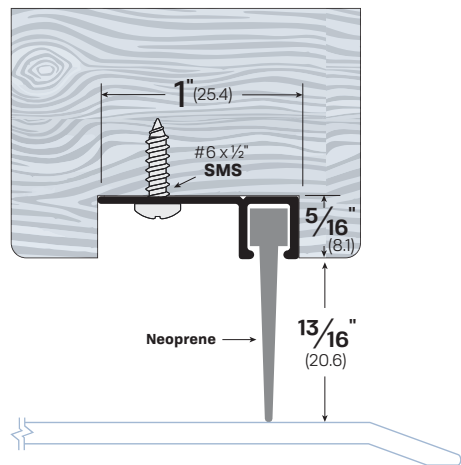
FINISHES: MA, MB, WP

OPTIONS:

- FX - Intumescent
- SF - Security Fasteners

LEGACY	NGP	PEMKO	ZERO
7112	36ET6	2173AV	-

#71518

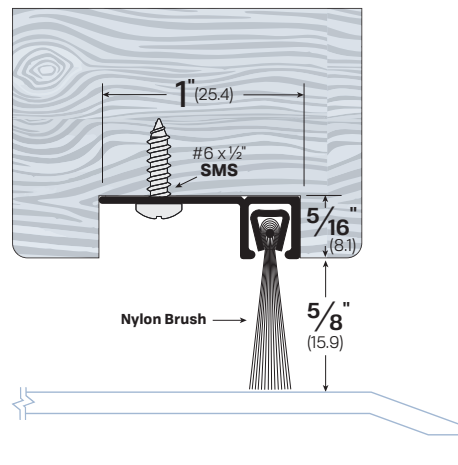


FINISHES: MA, MB, WP

OPTIONS: SF - Security Fasteners

LEGACY	NGP	PEMKO	ZERO
71518	-	-	8151AA

#79418

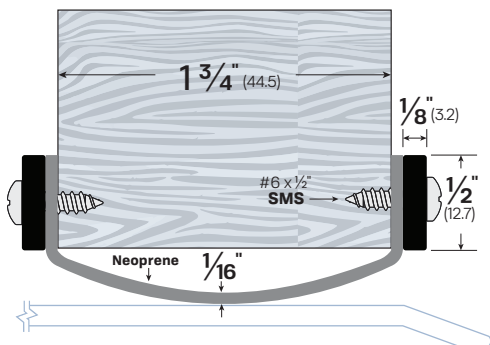


FINISHES: MA, MB, WP

OPTIONS: SF - Security Fasteners

LEGACY	NGP	PEMKO	ZERO
79418	D648	90100	8149AA

#7115



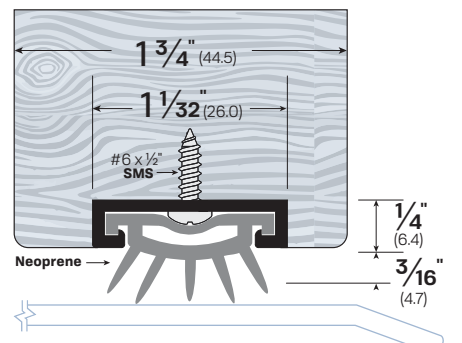
FINISHES: MA, MB, WP, SS

OPTIONS: SF - Security Fasteners

NOTES: Neoprene is 6" wide and can be mounted at different heights.

LEGACY	NGP	PEMKO	ZERO
7115	14RA	-	511A

#7352

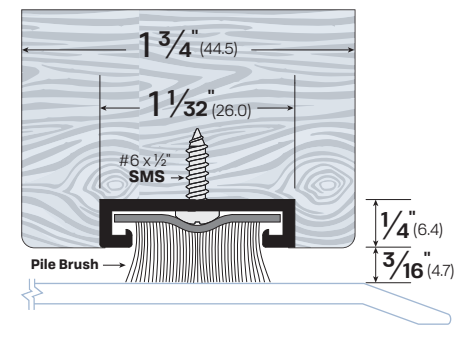


FINISHES: MA, MB, WP

OPTIONS: NIT - Nitrile Extrusion

LEGACY	NGP	PEMKO	ZERO
7352	112N	234APK	253A

#7452



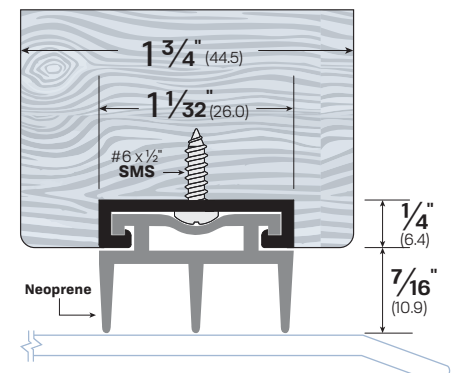
FINISHES: MA, MB, WP

NOTES:

- Grey pile brush standard
- Specify for black pile (PB-BK) or white pile (PB-WH)

LEGACY	NGP	PEMKO	ZERO
7452	254P	-	254A

#7852



FINISHES: MA, MB, WP

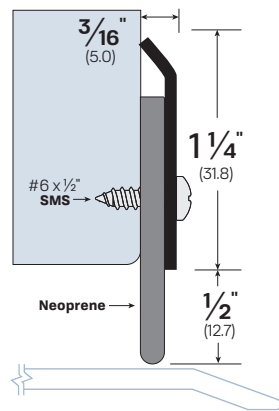
OPTIONS: FX - Intumescent

LEGACY	NGP	PEMKO	ZERO
7852	12T	33V3_V	-

Door Sweeps

Door Sweeps

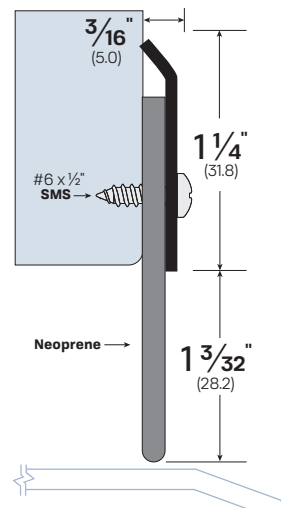
#793SS



FINISHES: SS
OPTIONS: SF - Security Fasteners

LEGACY	NGP	PEMKO	ZERO
793SS	200NSS	31555SS	-

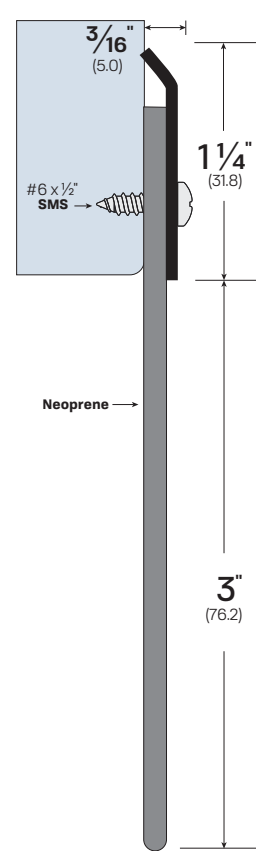
#7836SS



FINISHES: SS
OPTIONS: SF - Security Fasteners

LEGACY	NGP	PEMKO	ZERO
7836SS	-	-	-

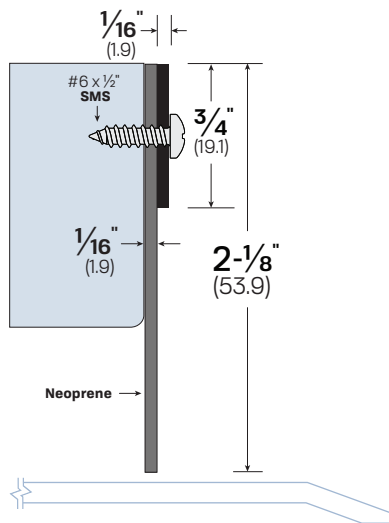
#7936SS



FINISHES: SS
OPTIONS: SF - Security Fasteners
NOTES: Perfect for oversized gaps

LEGACY
7936SS
NGP
-
PEMKO
-
ZERO
-

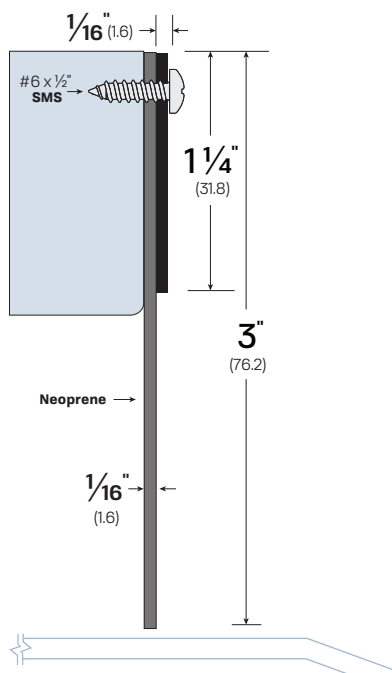
#7891SS



FINISHES: SS
OPTIONS: SF - Security Fasteners

LEGACY	NGP	PEMKO	ZERO
7891SS	-	-	-

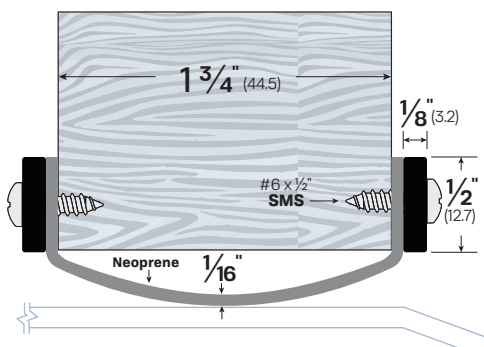
#7991SS



FINISHES: SS
OPTIONS: SF - Security Fasteners

LEGACY	NGP	PEMKO	ZERO
7991SS	-	-	-

#7115SS



FINISHES: SS
OPTIONS: SF - Security Fasteners
NOTES: Neoprene is 6" wide and can be mounted at different heights.

LEGACY	NGP	PEMKO	ZERO
7115SS	-	-	-

How To Order: Thresholds

Example #30756BR-EPX-36-FA24

Easy Ways To Order

Email
Orders@LegacyLLC.com

Phone
Local: +1 (718) 292-5333
Toll Free: +1 (888) 383-3330

PART NUMBER & **FINISH** - **OPTIONS** - **LENGTH** - **FASTENERS**
30756 BR - EPX - 36 - FA24

PART #	8FC	9FC	8S5	9S5	S11	S13	S14	S16	T1	T2	T2E	T3	T4	T5	313	342	348N	352	356	386	395	398	399N	812AA	813C	813G	824	826	828	832	832L	838F	841	842	865	912AA	913C	928	928L	934C	932L	938F	3006EJ	3031	3106EJ	3143	3144	3145	3224N	3232	3276	3291	3292	3325	3332	3376	3425	3432	3441	3445	3456	3461	3465	3476	3486	3501	3512	3514	3532	3541	3545	3556	3561	3565	941	942	932L	938F	3006EJ	3031	3612	3616	3632	3641	3645	3656	3661	3665	3676	3701	3712	3741	3745	3756	3761	3762	3776	3812	3841	3845	3861	3862	3865	3876	3882	3904	3905	3912	3931	3960DP	3961	3962	3964	3966DP	3976	30145	30176	30756	31145	31245	31256	34278	34761	35761	35761
--------	-----	-----	-----	-----	-----	-----	-----	-----	----	----	-----	----	----	----	-----	-----	------	-----	-----	-----	-----	-----	------	-------	------	------	-----	-----	-----	-----	------	------	-----	-----	-----	-------	------	-----	------	------	------	------	--------	------	--------	------	------	------	-------	------	------	------	------	------	------	------	------	------	------	------	------	------	------	------	------	------	------	------	------	------	------	------	------	------	-----	-----	------	------	--------	------	------	------	------	------	------	------	------	------	------	------	------	------	------	------	------	------	------	------	------	------	------	------	------	------	------	------	------	------	------	--------	------	------	------	--------	------	-------	-------	-------	-------	-------	-------	-------	-------	-------	-------

FINISH Finishes vary by product. Please check available finishes listed for each product.
MA - Mill Aluminum
MB - Matte Black Powder Coat
BR - Architectural Bronze
SS - Stainless Steel
ST - Steel

OPTIONS Options vary by product. Please check available options listed for each product.
Blank - No Option
ACF - Aluminum Composite Filler
EPX - Epoxy Abrasive
FL - Fire Label
LA - Lead Anchors
LIG - Ligature Resistant
ORB - Oil-Rubbed Bronze
PEPX - Photoluminescent Epoxy Abrasive
POL - Polished Bronze
RUB - Rubber Grip

LENGTH Please specify to nearest 1/16"

FASTENERS Blank - Standard Fastener Options - FA21 - FA22 - FA 23 - FA24 - FA26 (see page 28 for details)

#3376MA-RUB

#3465MA

#30756BR

#3966DPSS

Door Sweeps

Accessories & Options

#3276MA-EPX



EPOXY ABRASIVE (EPX)

This exceptionally strong, slip-resistant surface provides maximum durability and safety, especially for high-traffic outdoor applications. Ideal for parks, schools, hospitals, and industrial buildings. The epoxy abrasive particle mix is bonded to the aluminum base.

#3276MA-RUB



RUBBER GRIP (RUB)

Typically used for interior applications. In place of conventional rubber inserts, our unique process chemically applies non-slip rubber to threshold grooves for enhanced grip and strength.

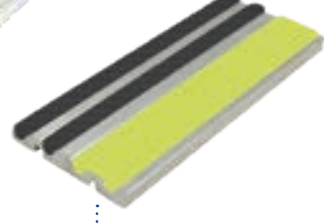
#3456MA-ACF



ALUMINUM COMPOSITE FILLER (ACF)

Strengthens and reinforces thresholds to prevent bending or crushing under high-traffic and heavyweight use in schools, industrial and manufacturing plants, and other high-stress applications.

#3276MA-PEPX-EPX



PHOTOLUMINESCENT EPOXY ABRASIVE (PEPX)

Threshold grooves are filled with a proprietary photoluminescent epoxy that emits luminescence after charging by exposure to ambient light. Specify for compliance with code requirements for photoluminescent stairwell and exit path markings.



Floor Closer Cover Plates

For use on thresholds that are 7" or wider. Left hand shown on all diagrams below. Specify handing with RH or LH.

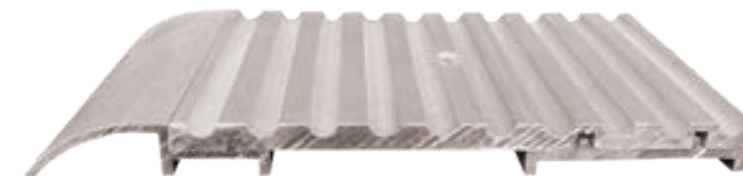
<p>Type 1 For doors hung in center of frame</p>	<p>Type 3 For use with all offset closers and pivot sets</p>	<p>Type 4 For doors hung flush with face of frame</p>	<p>Type 5 For use with offset closers and pivot sets</p>
--	---	--	---

Fasteners / Anchors

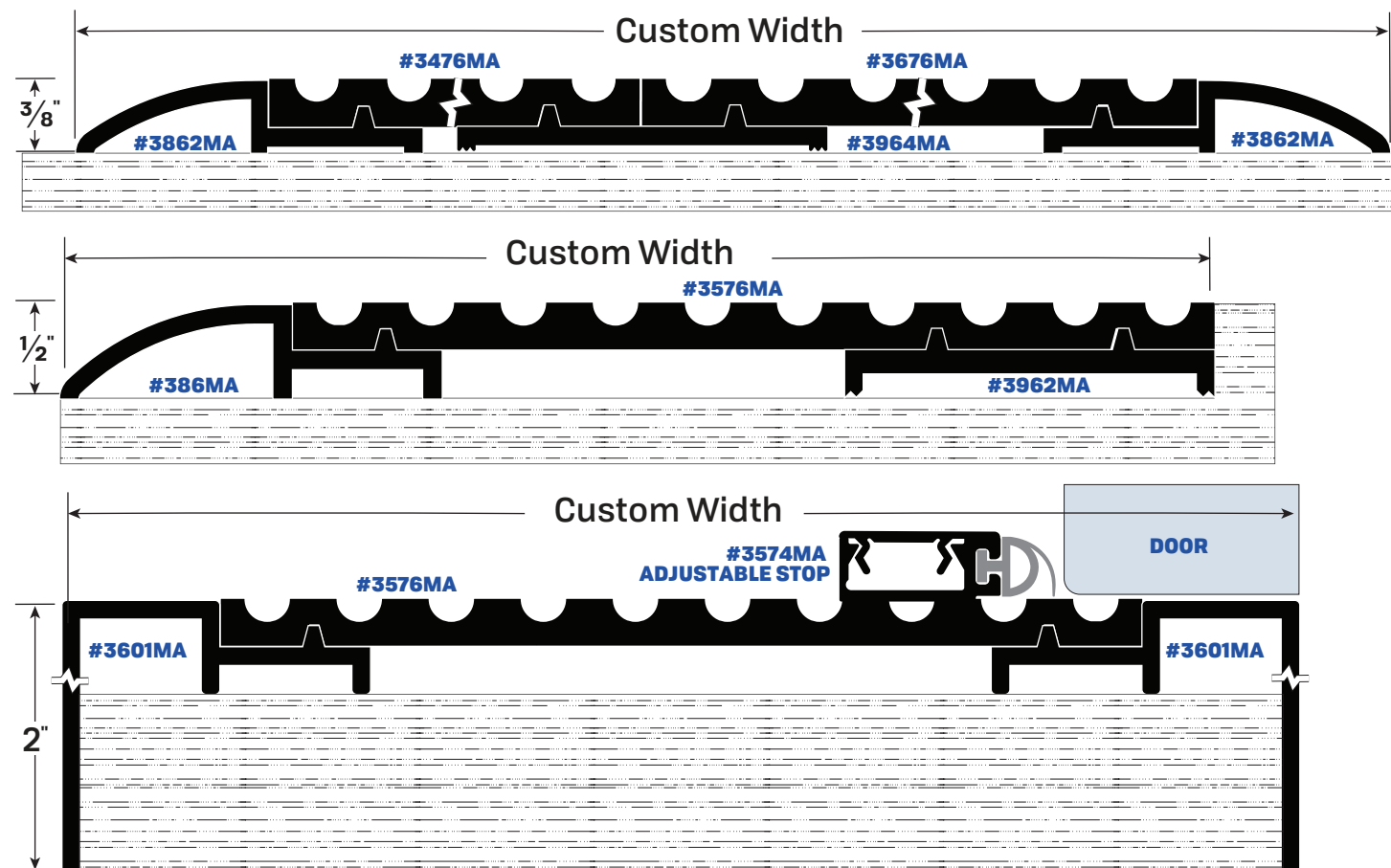
<p>#FA26</p>	<p>#FA21</p>	<p>#FA22</p>	<p>#FA23</p>	<p>#FA24</p>	<p>PRODUCT SPECIFICATIONS</p> <p>#FA26 Stainless Steel Sleeve Anchor 1/4 x 3" Long</p> <p>#FA21 Plastic Shields For Wood Screws #10 Flat Phillips SMS (Screw lengths: 1-1/4", 1-1/2", or 1-3/4")</p> <p>#FA22 Lead Shields For Wood Screws #10 Flat Phillips SMS (Screw lengths: 1-1/4", 1-1/2", or 1-3/4")</p> <p>#FA23 Anchors With 10-24 Machine Screws MSLA-10</p> <p>#FA24 Anchor With 1/4 -20 Machine Screw MSLA-4</p>
--------------	--------------	--------------	--------------	--------------	---

Adjustable Thresholds

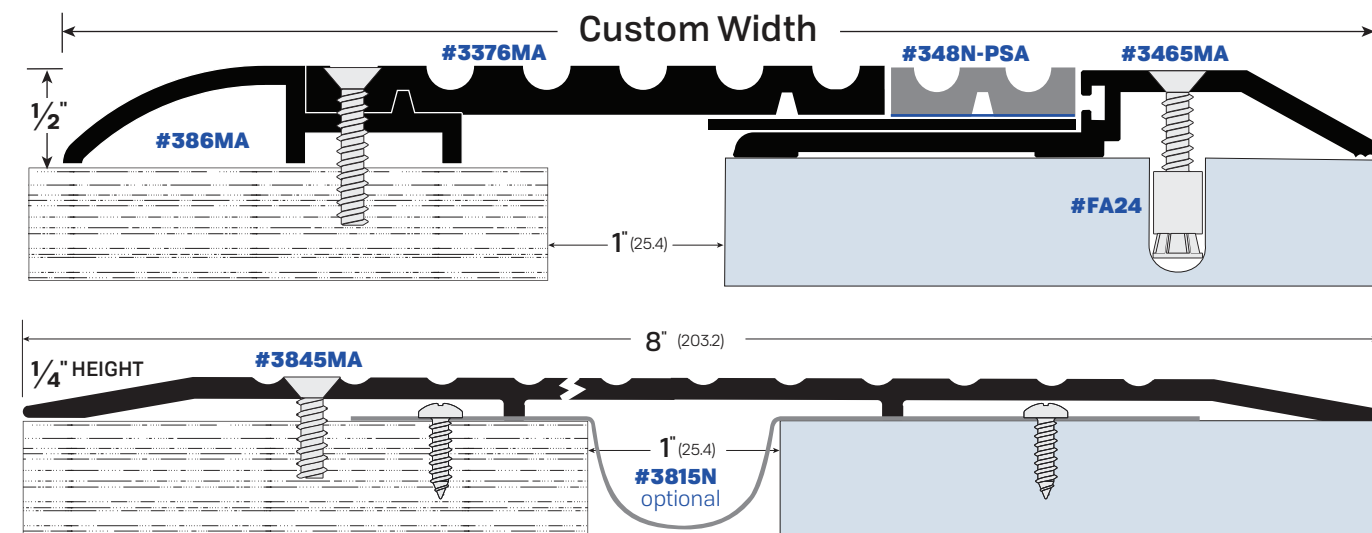
FINISHES: MA, BR
OPTIONS: ACF, EPX, FL, LA, PEPX, RUB
NOTES: Flathead Zinc-plated screws - #10 x 1-1/2"

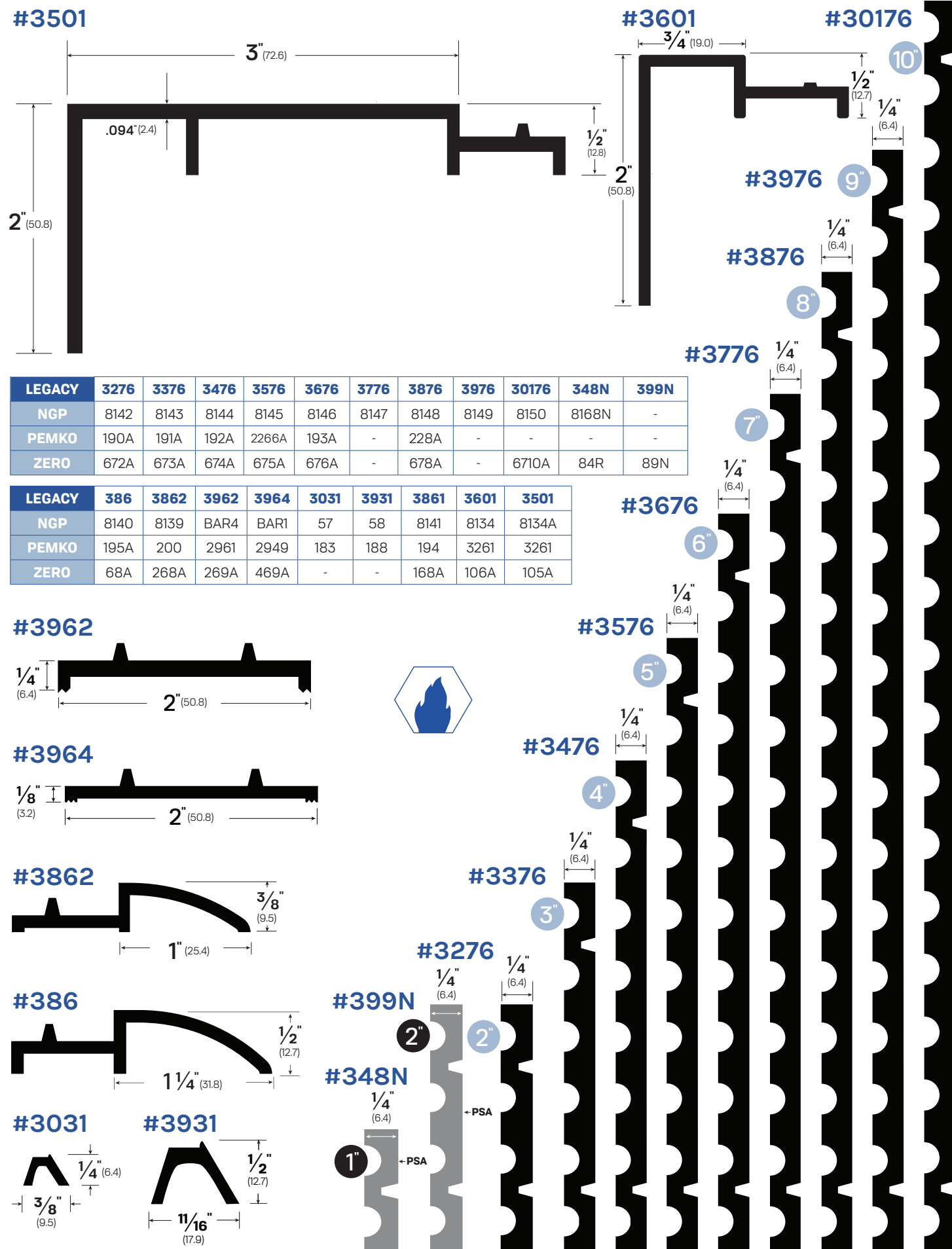


#386MA, #3576MA, #3962MA



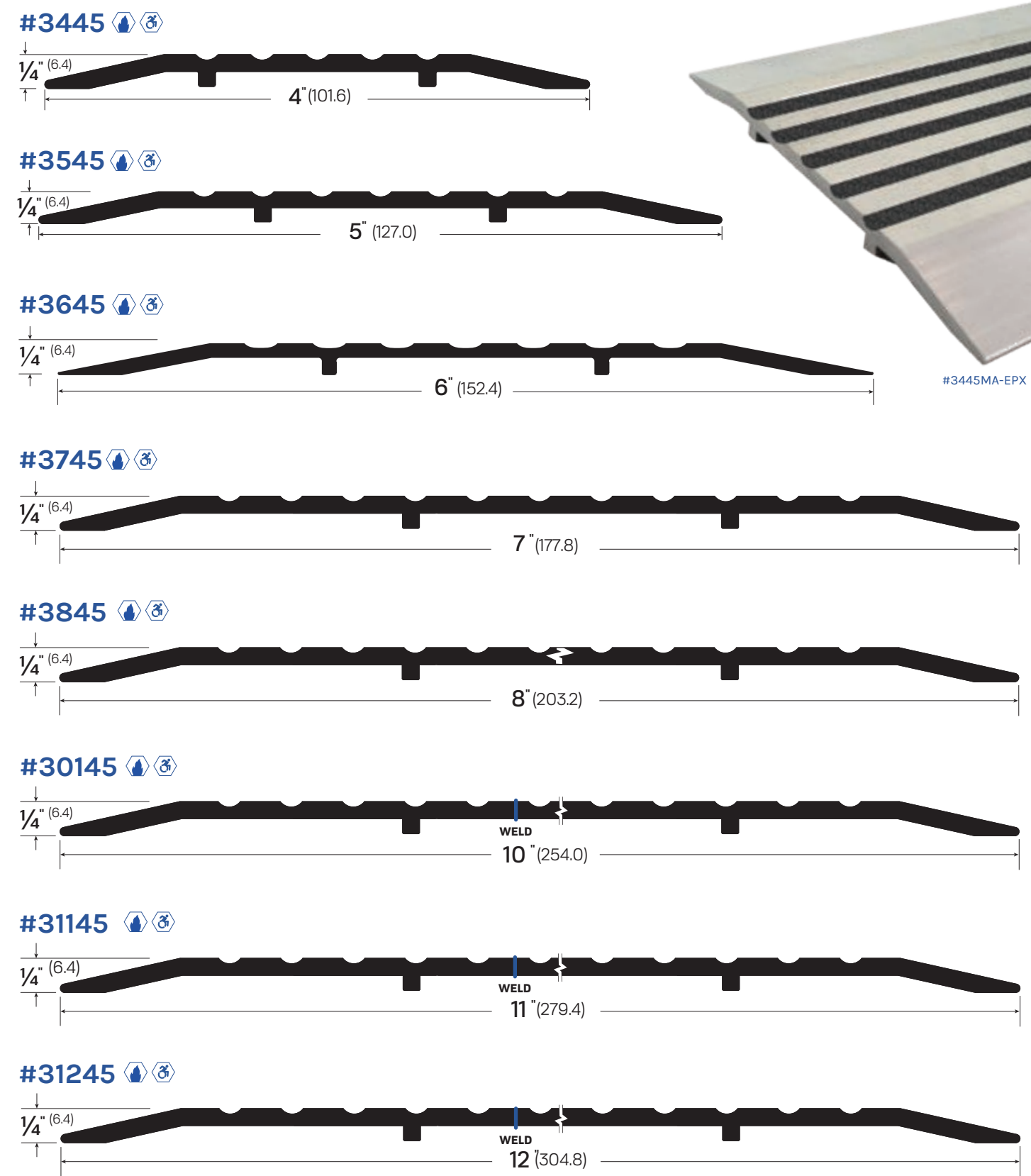
Expansion Joint Configurations





LEGACY	3276	3376	3476	3576	3676	3776	3876	3976	30176	348N	399N
NGP	8142	8143	8144	8145	8146	8147	8148	8149	8150	8168N	-
PEMKO	190A	191A	192A	2266A	193A	-	228A	-	-	-	-
ZERO	672A	673A	674A	675A	676A	-	678A	-	6710A	84R	89N

LEGACY	386	3862	3962	3964	3031	3931	3861	3601	3501
NGP	8140	8139	BAR4	BARI	57	58	8141	8134	8134A
PEMKO	195A	200	2961	2949	183	188	194	3261	3261
ZERO	68A	268A	269A	469A	-	-	168A	106A	105A

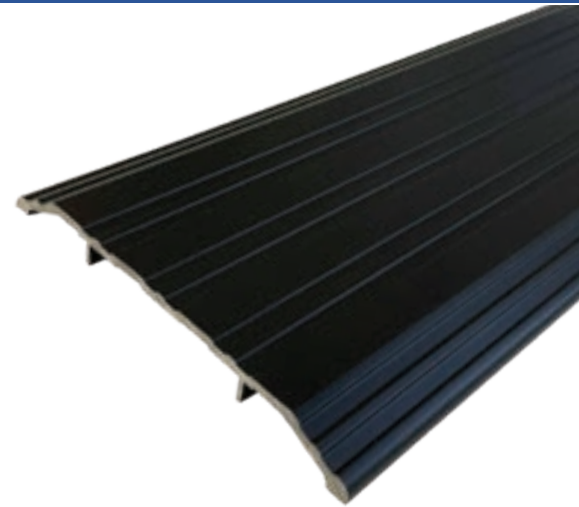
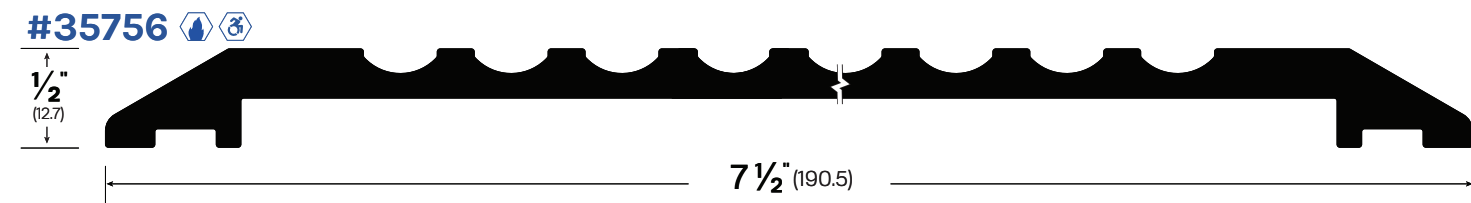
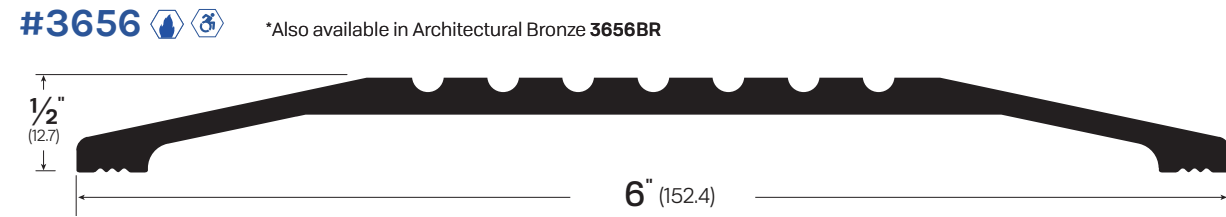
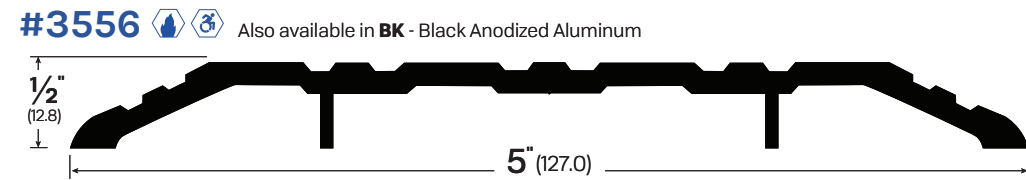
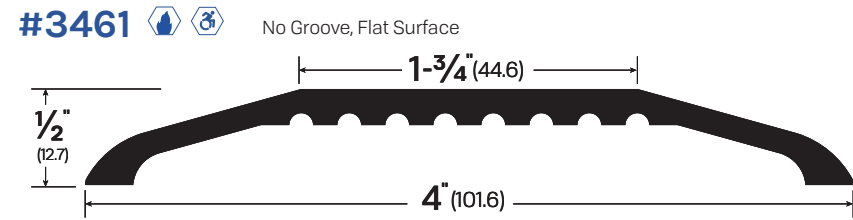
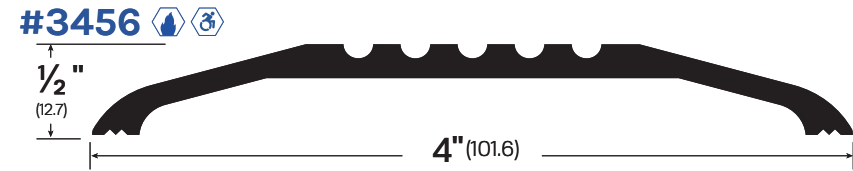


LEGACY	3445	3545	3645	3745	3845	30145	31145	31245
NGP	413	513	613	713	813	1013	-	-
PEMKO	270A	271	272	276A	2748	2750	-	-
ZERO	544A	545A	546A	547A	548	-	-	-

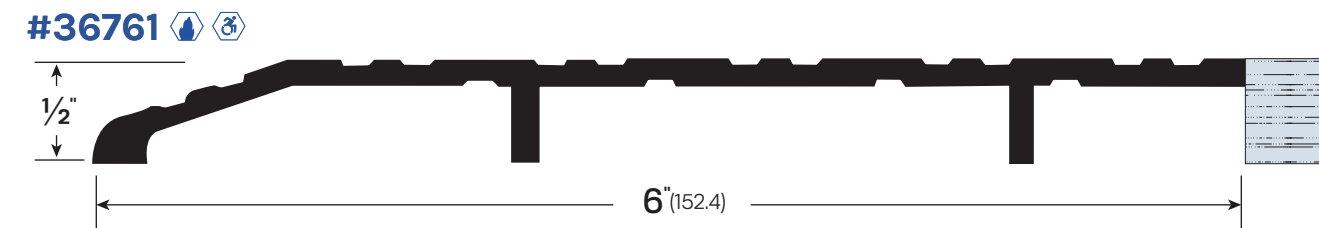
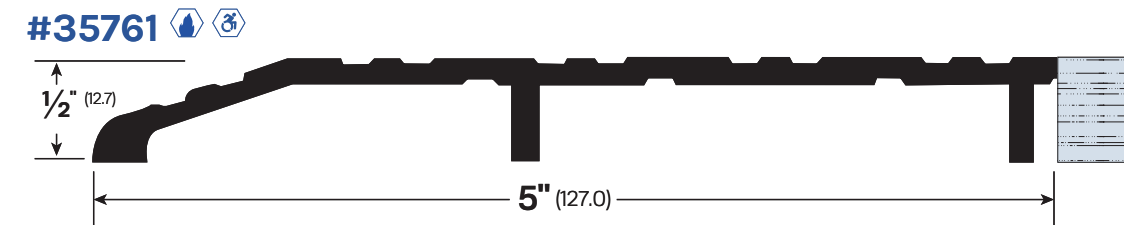
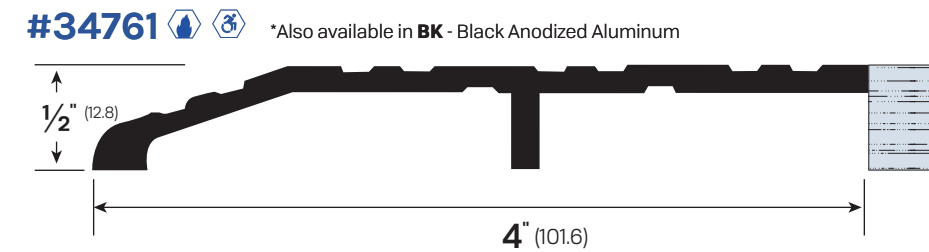
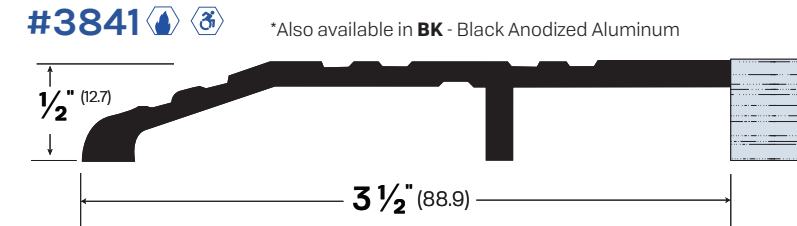
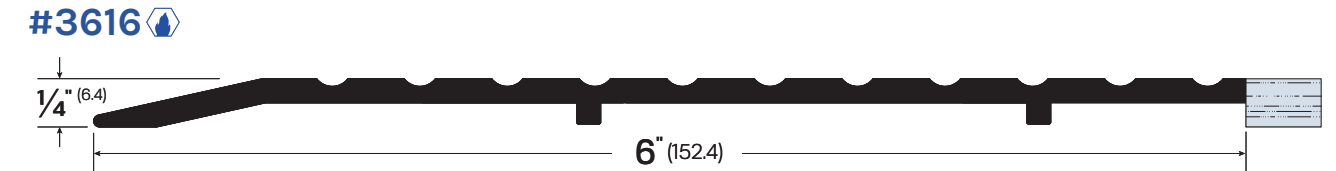
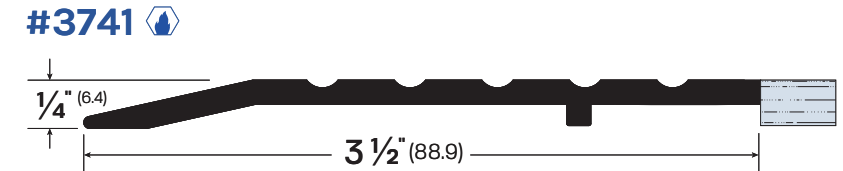
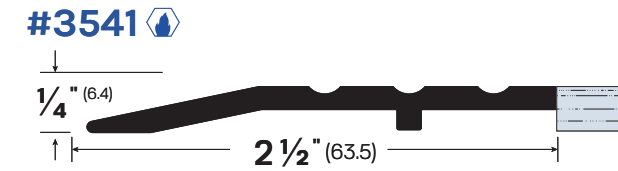
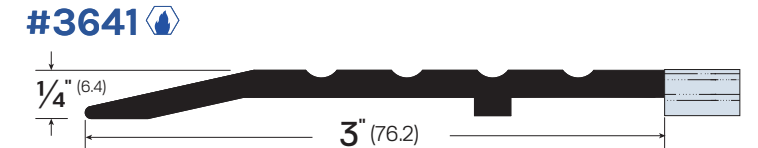
FINISHES: MA
OPTIONS: ACF, EPX, FL, LA, PEPX, RUB
NOTES: Flathead Zinc-plated screws - #10 x 1-1/2"

Thresholds / Saddles

Thresholds / Saddles



#3556BK



#34761MA

LEGACY	3456	3461	3556	3656	3756	35756
NGP	424	412	425	426	425E	8745
PEMKO	170A	175	1665A	172	176A	-
ZERO	654A	164A	655A	656A	8655A	657A

FINISHES: MA, BK, BR
OPTIONS: ACF, EPX, FL, LA, PEPX, RUB
NOTES: Flathead Zinc-plated screws - #10 x 1-1/2"

LEGACY	3441	3541	3641	3741	3616	3841	34761	35761	36761
NGP	215	417	315	415	-	323	327	350	-
PEMKO	278A	279A	273A	274A	-	253A	254A	255A	-
ZERO	-	1545A	-	-	-	1674A	1674A	1675A	-

FINISHES: MA, BK
OPTIONS: ACF, EPX, FL, LA, PEPX, RUB
NOTES: Flathead Zinc-plated screws - #10 x 1-1/2"

Thresholds
Saddles

Thresholds
Saddles

#3143



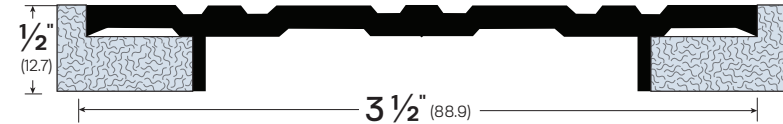
#3144



#3145



#3486



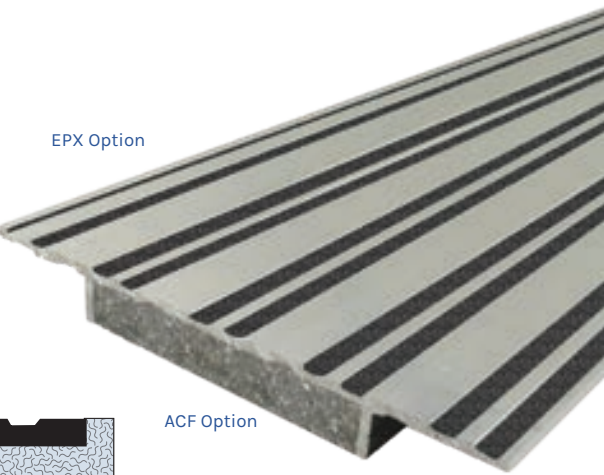
#342



#352



#3144MA

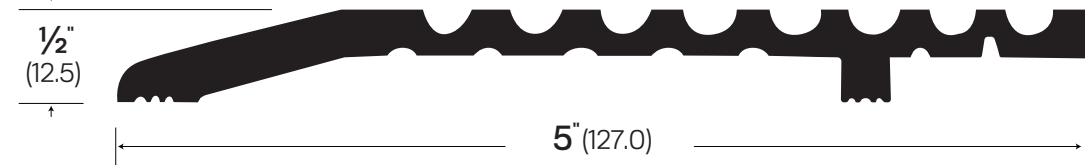


#3486MA-ACF-EPX

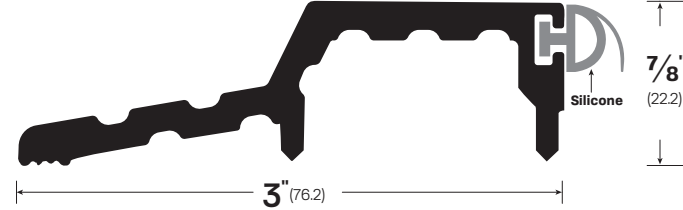
#3904



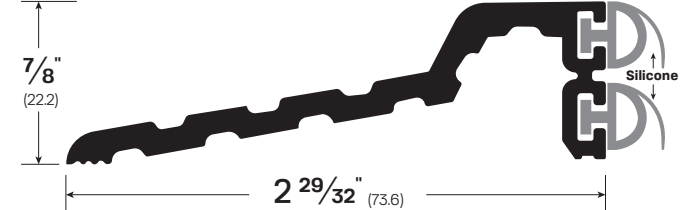
#3905



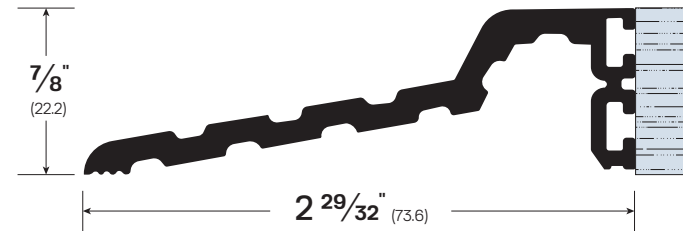
#3291



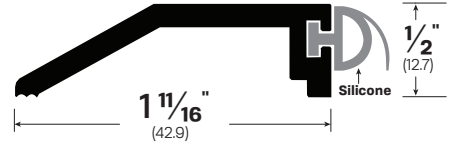
#3425



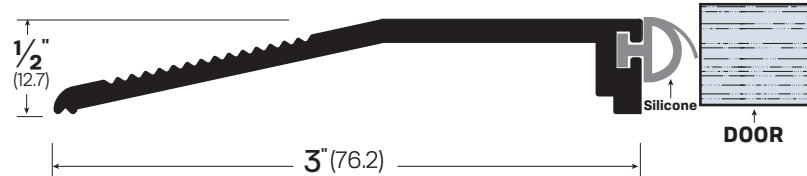
#3325



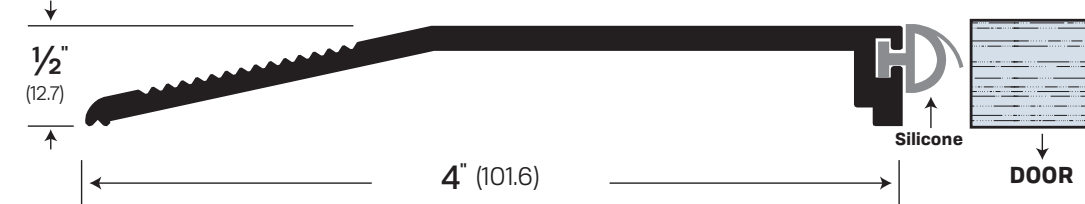
#3292



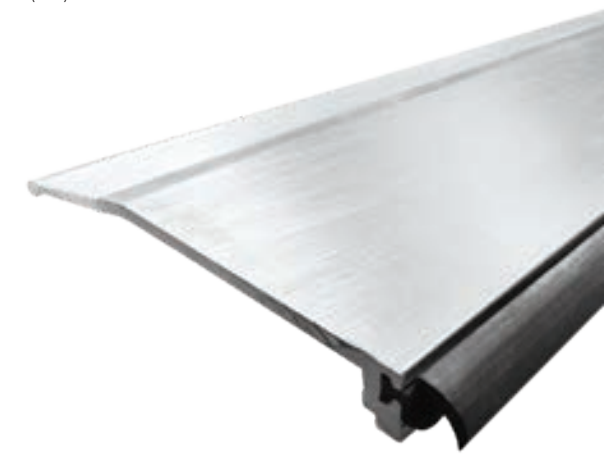
#395



#398



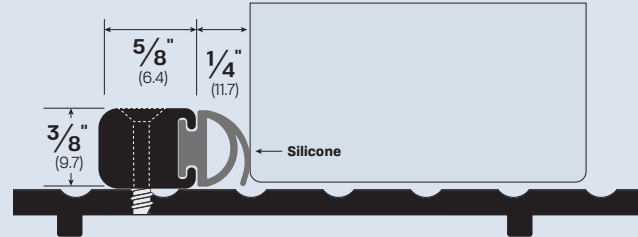
#3905



#395

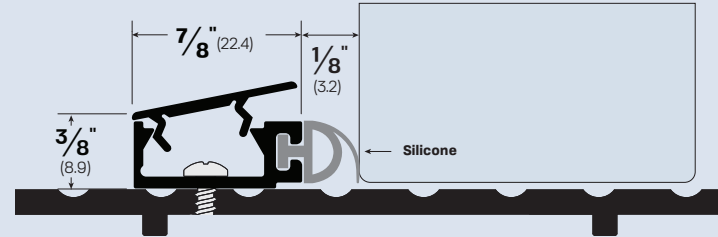
Stop Strips Can be surface-mounted to any threshold.

#3574



FINISHES: CA, MB, WP
OPTIONS: **LIG** - Ligature Resistant **FL** - Fire Label **S-WH** - White Silicone

#313



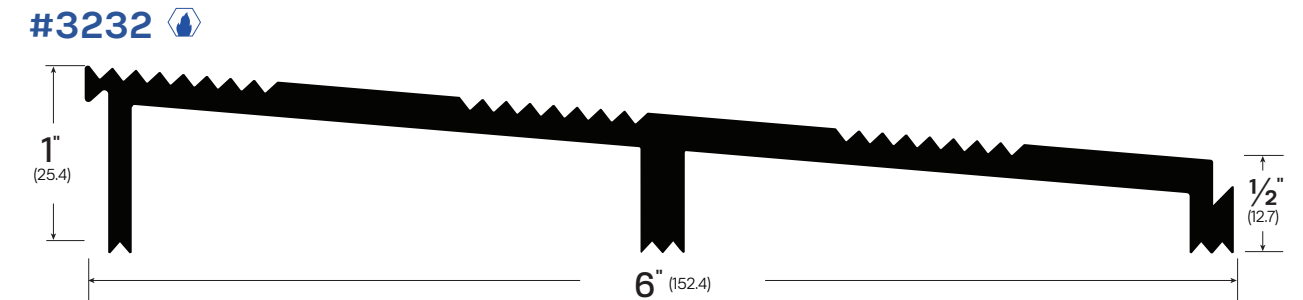
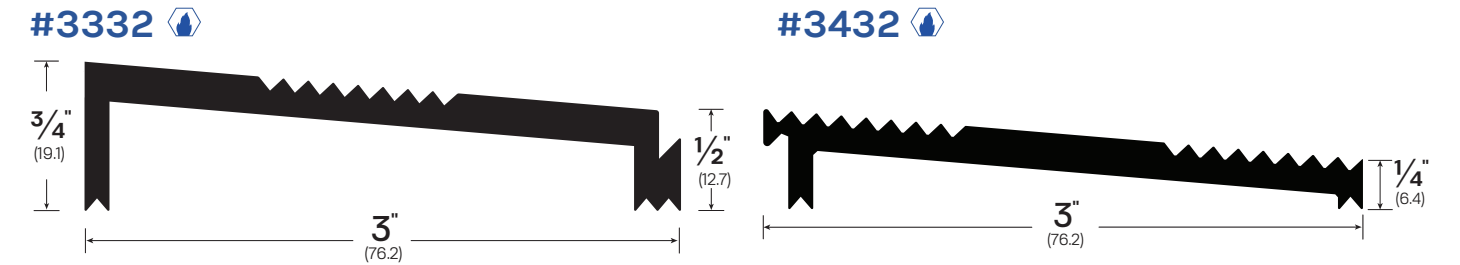
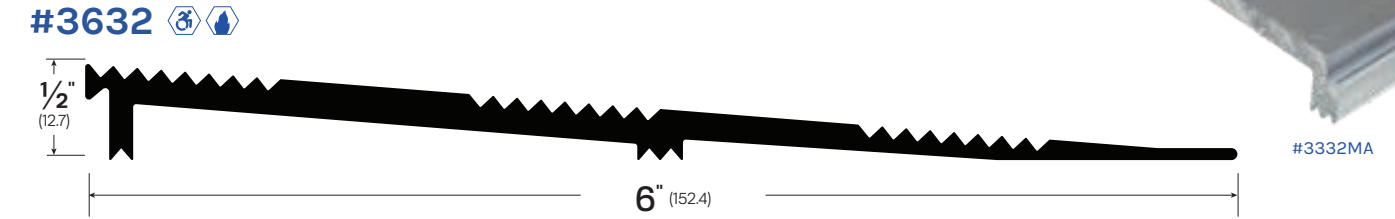
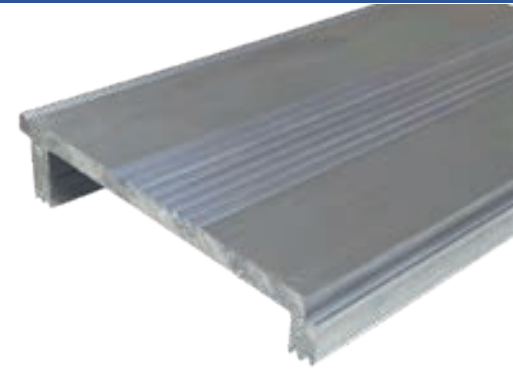
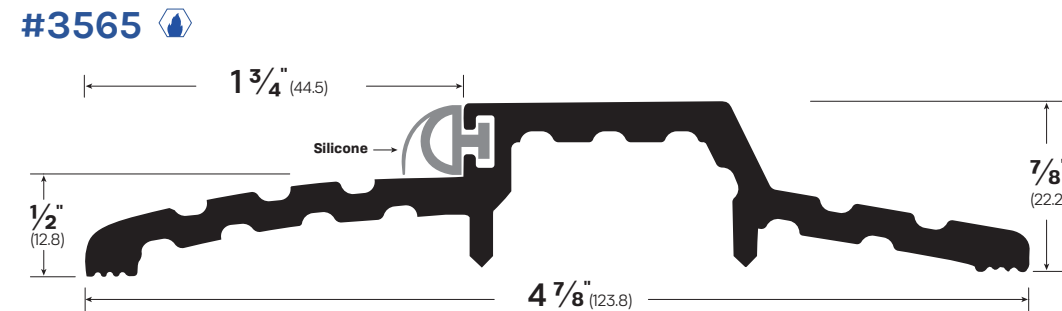
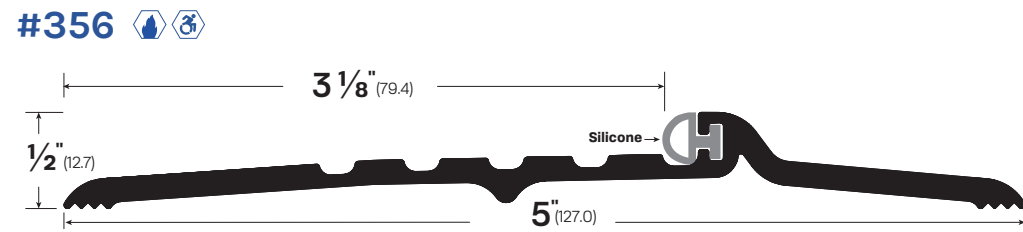
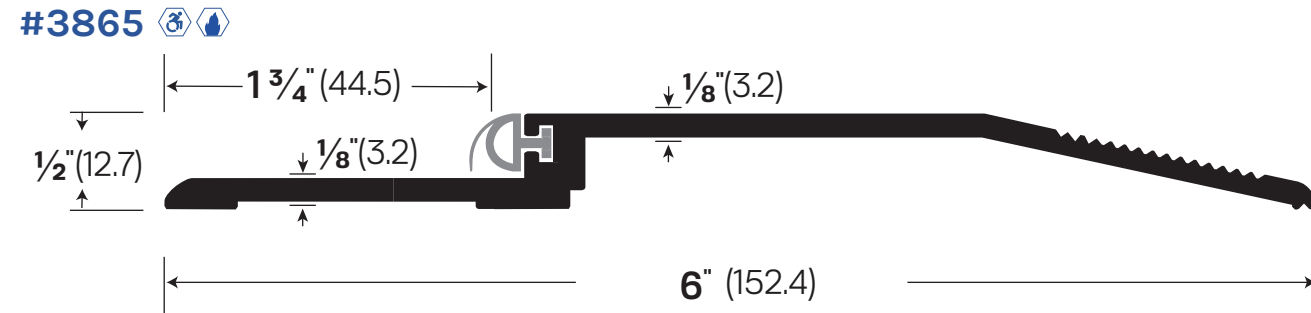
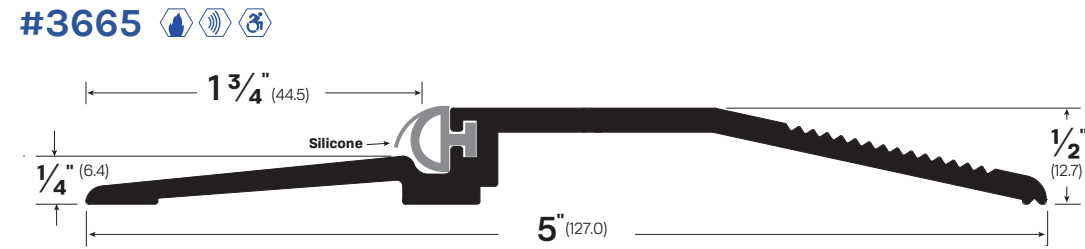
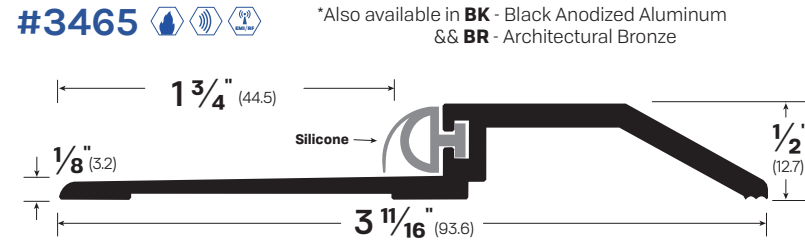
FINISHES: CA, MB, WP
OPTIONS: **LIG** - Ligature Resistant **FL** - Fire Label **S-WH** - White Silicone

LEGACY	3143	3144	3145	3486	342	352	3574	313
NGP	-	-	-	404	-	-	-	2
PEMKO	-	-	-	2364A	-	-	-	-
ZERO	-	-	-	-	-	-	-	-

FINISHES: MA
OPTIONS: **ACF**, **EPX**, **FL**, **LA**, **PEPX**, **RUB**
NOTES: Flathead Zinc-plated screws - #10 x 1-1/2"

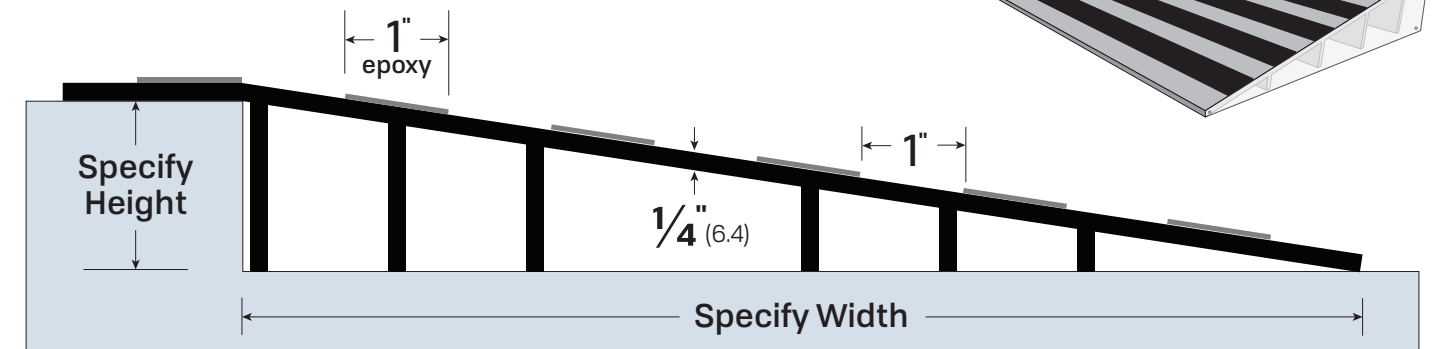
LEGACY	3904	3905	3291	3425	3325	3292	395	398
NGP	324	325	-	-	-	-	-	-
PEMKO	227	229	-	-	-	-	-	-
ZERO	1674	1675A	-	524A	523A	226A	-	-

FINISHES: MA
OPTIONS: **ACF**, **EPX**, **FL**, **LA**, **PEPX**, **RUB**
NOTES: Flathead Zinc-plated screws - #10 x 1-1/2"



Custom Ramps

Legacy can manufacture ramps to your specifications, including features such as our epoxy abrasive, photoluminescent epoxy and cover plates.

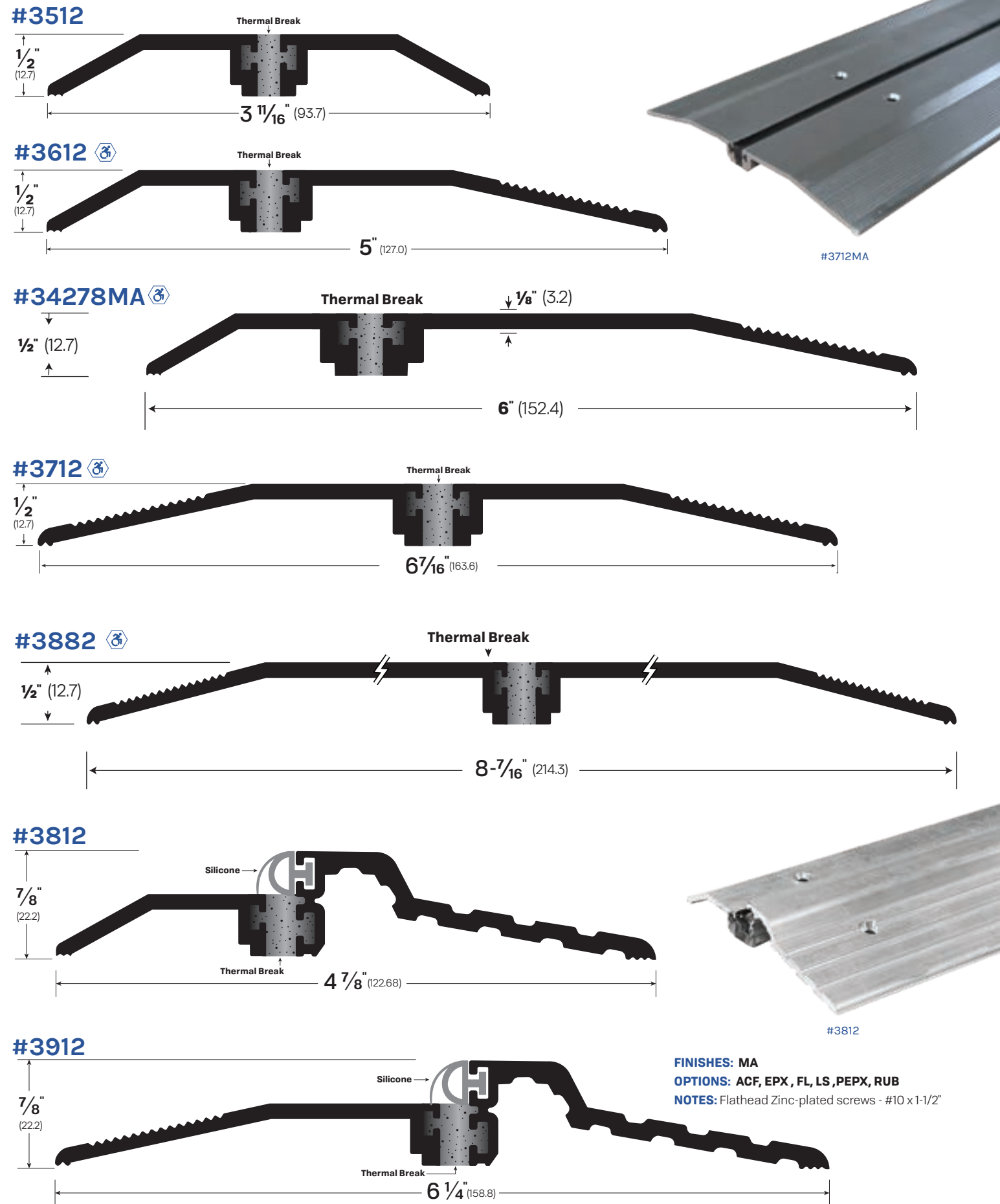


LEGACY	3465	3665	3865	356	3565
NGP	8155N	950N	-	896N	897N
PEMKO	2008APK	2005Q	-	2005AT	277
ZERO	564A	566A	568A	65A	565A

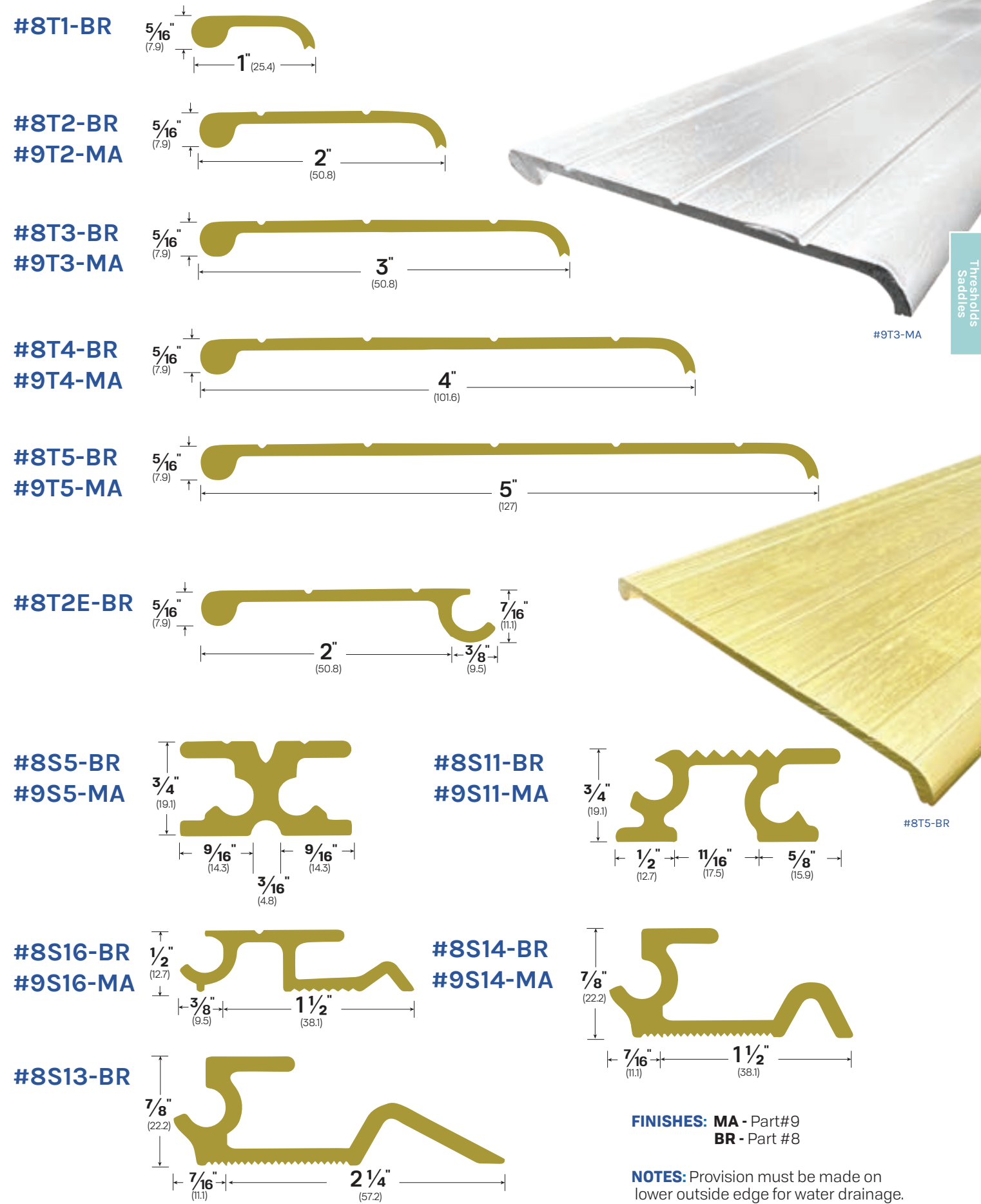
FINISHES: MA, BK, BR
OPTIONS: ACF, EPX, FL, LA, PEPX, RUB
NOTES: Flathead Zinc-plated screws - #10 x 1-1/2"

LEGACY	3232	3332	3432	3532	3632
NGP	954	953	-	-	R50
PEMKO	RAMP5	RAMP5A	-	-	RAMP4A
ZERO	232	233	234	235	236

FINISHES: MA
OPTIONS: ACF, EPX, FL, LA, PEPX, RUB
NOTES: Flathead Zinc-plated screws - #10 x 1-1/2"



FINISHES: MA
OPTIONS: ACF, EPX, FL, LS, PEPX, RUB
NOTES: Flathead Zinc-plated screws - #10 x 1-1/2"



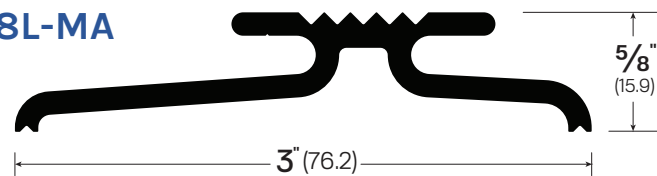
FINISHES: MA - Part#9
BR - Part #8

NOTES: Provision must be made on lower outside edge for water drainage.

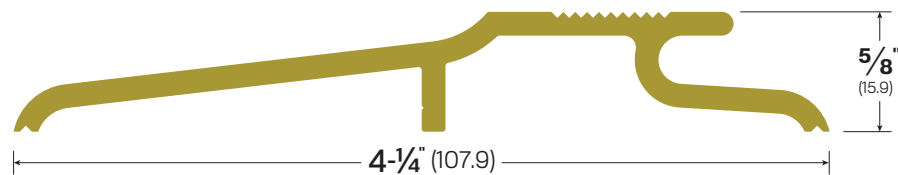
#8FC-BR
#9FC-MA



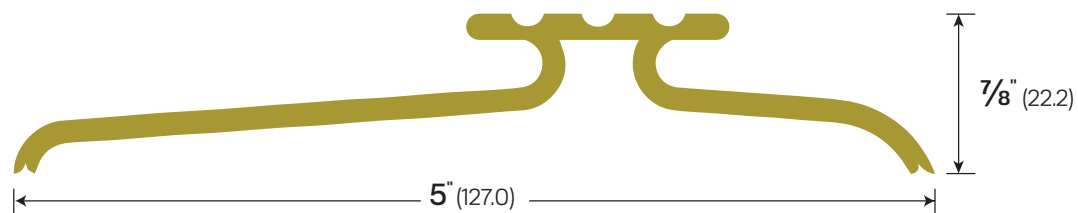
#928L-MA



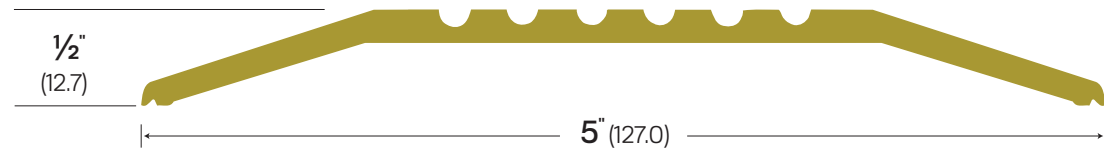
#828-BR
#928-MA



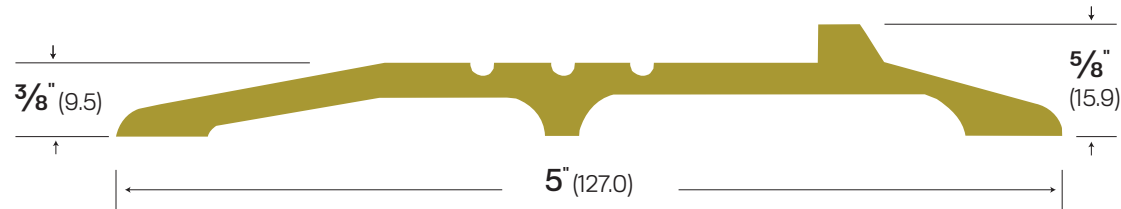
#832-BR



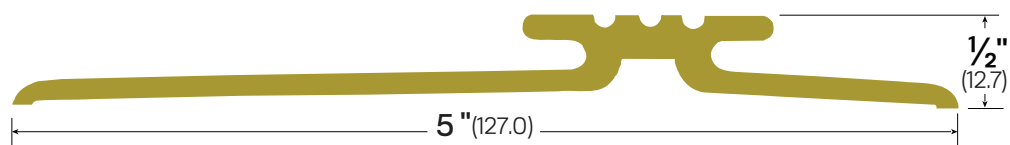
#812AA-BR
#912AA-MA



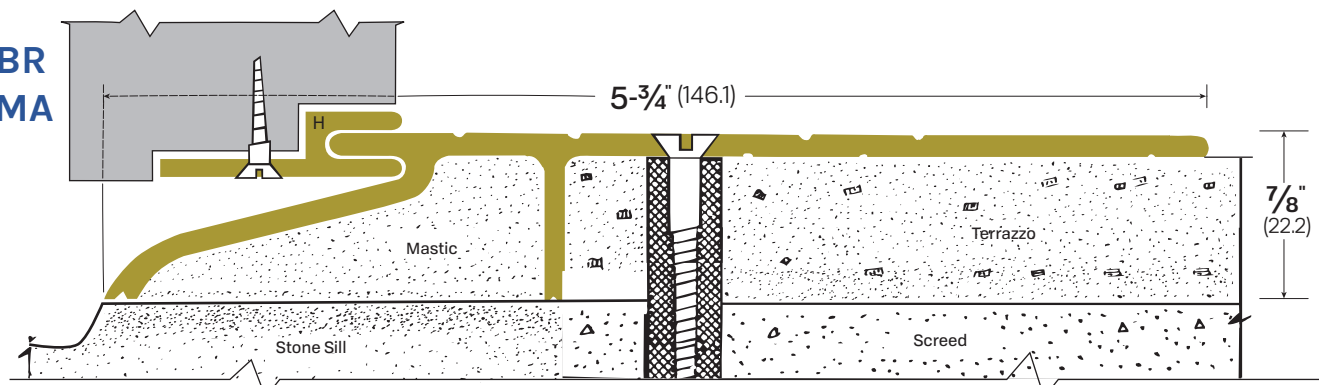
#865-BR



#832L-BR
#932L-MA

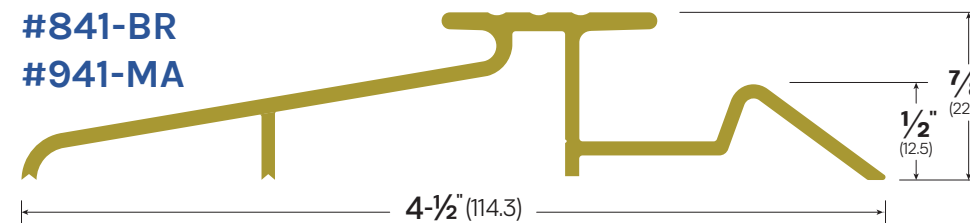


#838F-BR
#938F-MA

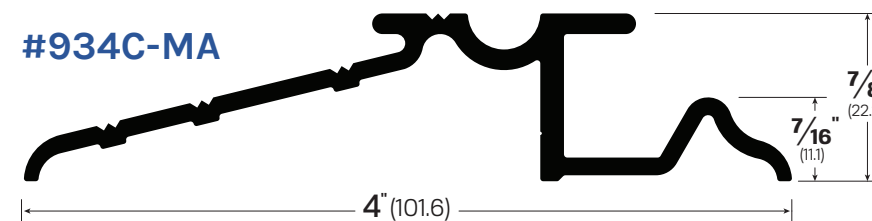


FINISHES: MA - Part#9 BR - Part#8

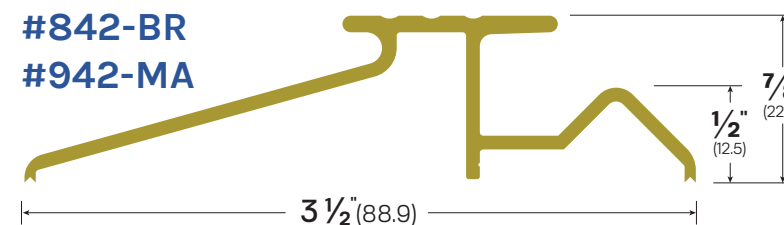
#841-BR
#941-MA



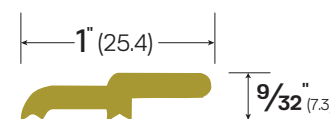
#934C-MA



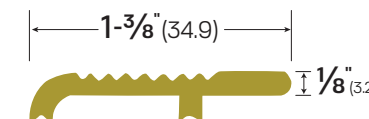
#842-BR
#942-MA



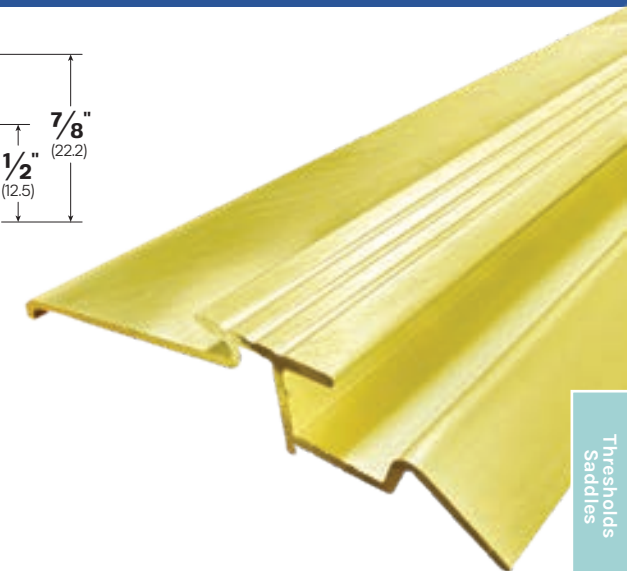
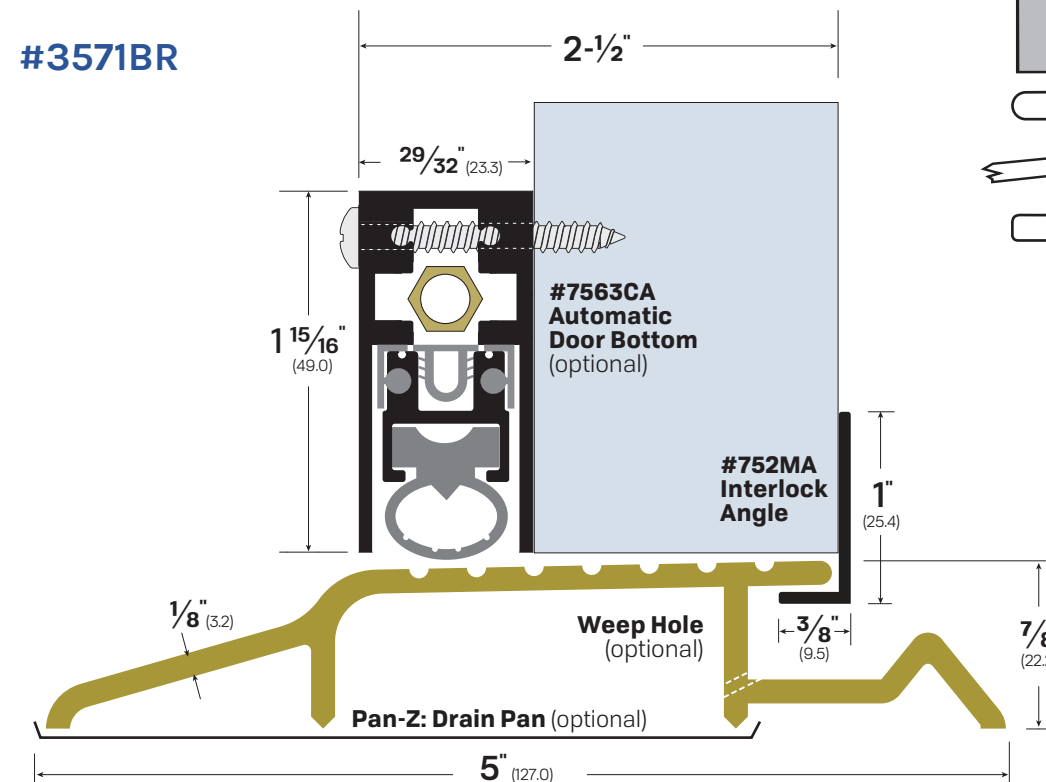
#824-BR



#826-BR

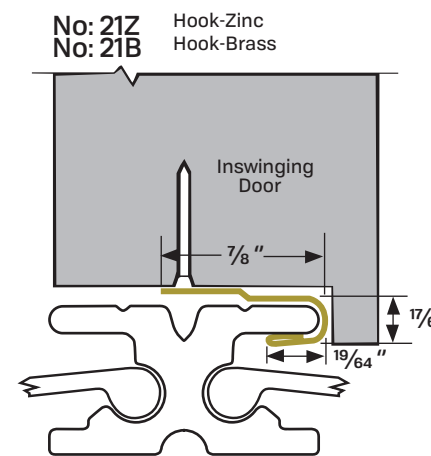


#3571BR

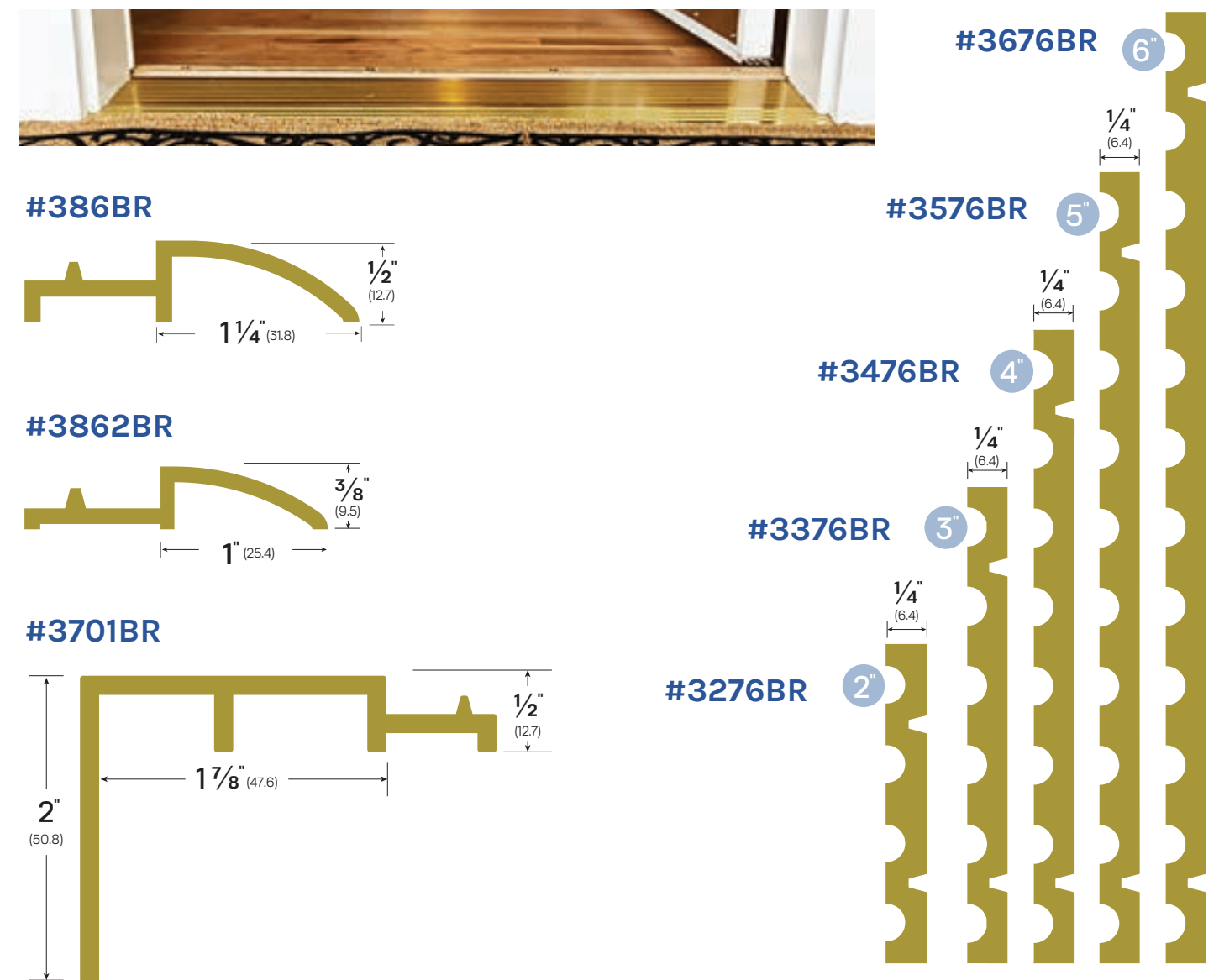
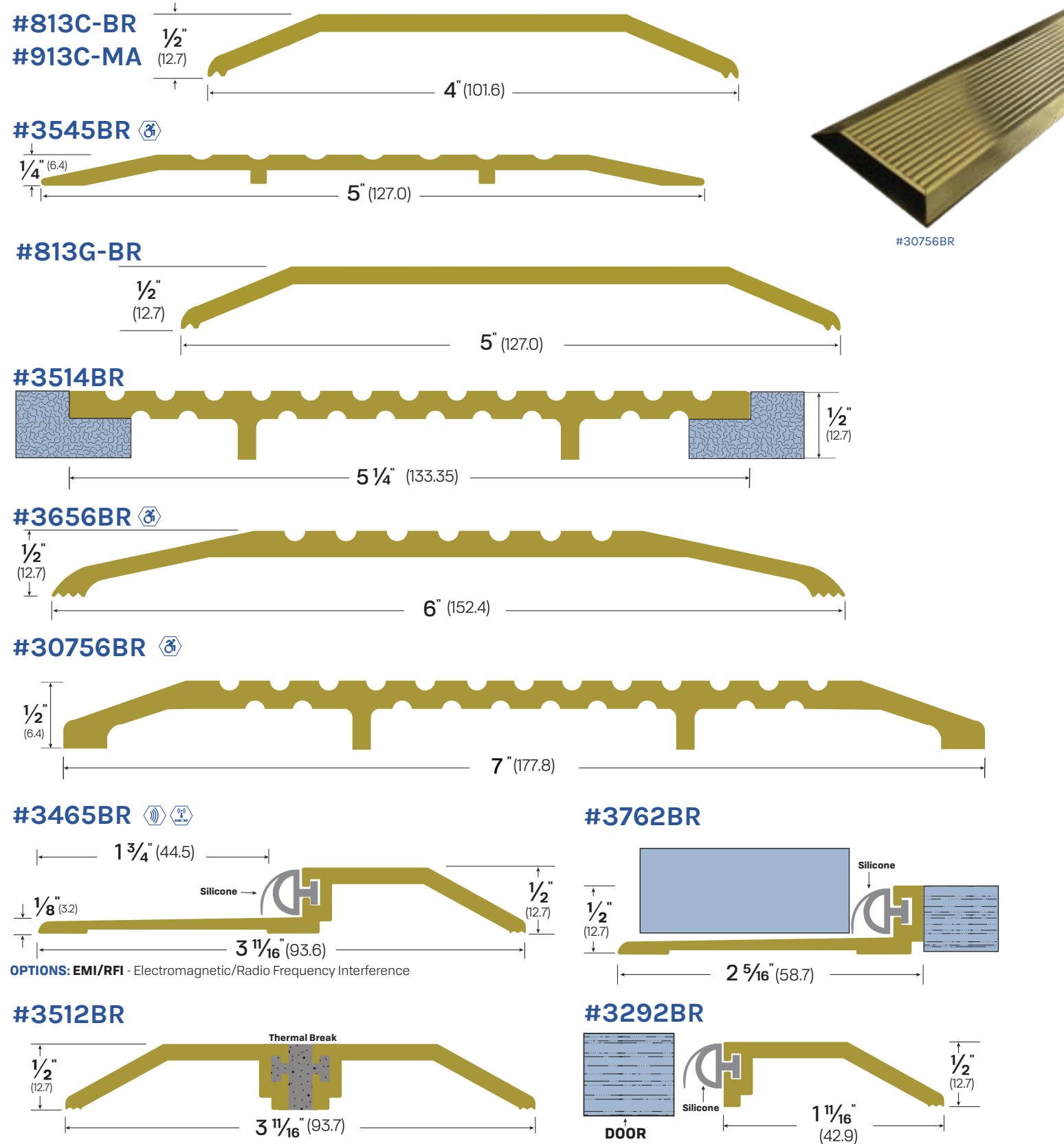


#842BR

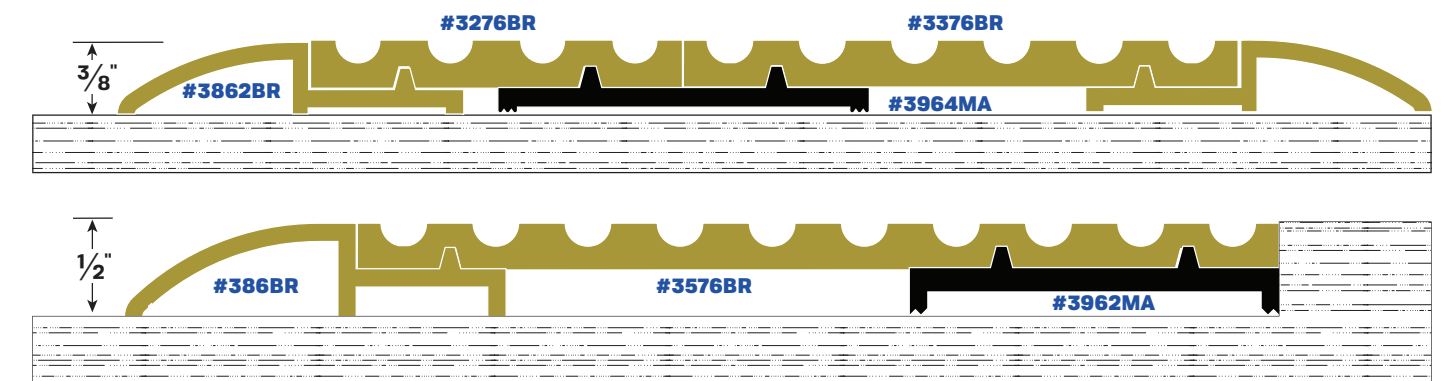
SECTIONAL UNIT DOOR SADDLES:
All Bronze Saddles Furnished Architectural Alloy # 385. Finished Mill, Polished Bright, Satin or Dark (Oxidized) All Aluminum Saddles Furnished in Alloy 63 T3 Mill Finish.



NO COMPETITOR EQUIVALENTS



Various Configurations Configurations made from adjustable bronze thresholds.



LEGACY	3545BR	3656BR	3514BR	30756BR	3465BR	3762BR	3512BR	3292BR
NGP	513BR	426B	-	427BR	-	-	-	-
PEMKO	271B	172B	-	176B	-	-	-	-
ZERO	545B	656B	-	657B	564B	-	-	-

FINISHES: MA, BR
OPTIONS: ACF, EPX, FL, LA, PEPX, RUB
NOTES: Flathead Zinc-plated screws - #10 x 1-1/2"

LEGACY	386BR	3862BR	3701BR	3276BR	3376BR	3476BR	3576BR	3676BR
NGP	8140BR	-	8134BR	8142BR	8143BR	8144BR	8145BR	8146BR
PEMKO	195B	-	3261B	190B	191B	192B	-	193B
ZERO	68B	268B	107B	672B	673B	674B	675B	676B

FINISHES: MA, BR
OPTIONS: ACF, EPX, FL, LA, PEPX, RUB
NOTES: Flathead Zinc-plated screws - #10 x 1-1/2"

Thresholds
Saddles

Thresholds
Saddles

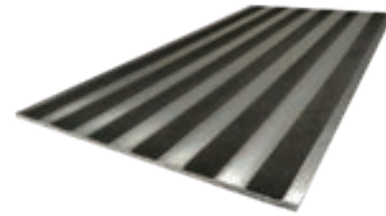
Expansion Joint Plates

* Can be manufactured in both Aluminum and Stainless Steel.

#3006EJ



#3106EJ



#3106EJ-EPX

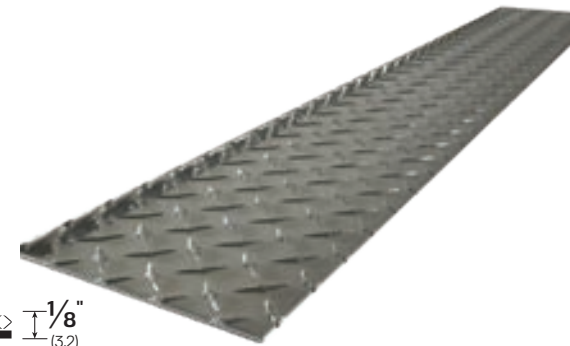
FINISHES: MA, SS

OPTIONS: ACF, EPX, FL, LS, PEPX, RB

AVAILABLE SIZES: Specify for custom widths up to 48", lengths up to 120"

NOTES: Edges are **not beveled** and plates are **not drilled** unless specified.

#3960DP DIAMOND TREAD PLATE



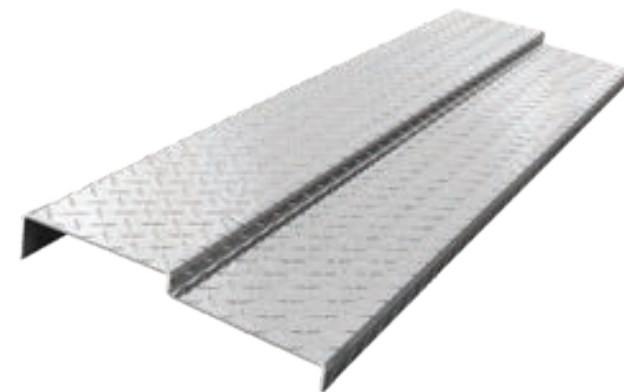
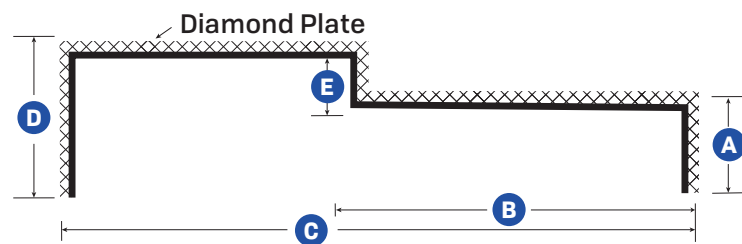
#3960DPSS

FINISHES: MA, SS, ST

AVAILABLE SIZES: Width Range: 2" - 48" - Length Range: 12" - 144"

NOTES: Edges are **not beveled** and plates are **not drilled** unless specified.

#3966DP DIAMOND-PLATE BULKHEAD THRESHOLDS



#3966DPMA

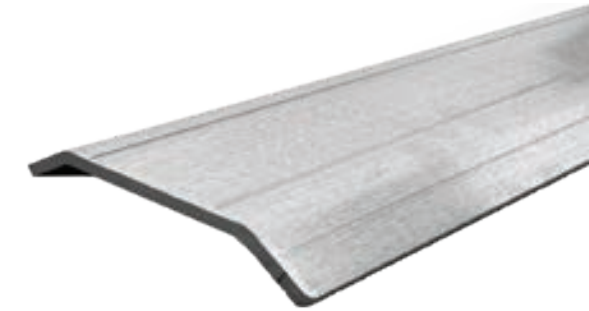
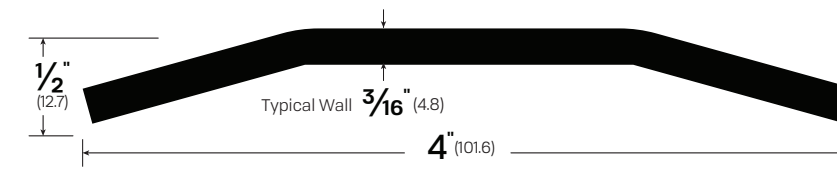
FINISHES: MA, SS, ST

NOTES:

- Custom order - Specify dimensions of A, B, C, D
- E dimension must be 1"
- Drawing is not drawn to scale

LEGACY	3006EJ	3106EJ	3960DP	3966DP
NGP	818	814	828	-
PEMKO	18/1A	14/1A	-	-
ZERO	600CP	601CP	-	669DP

#3461SS



#3461SS

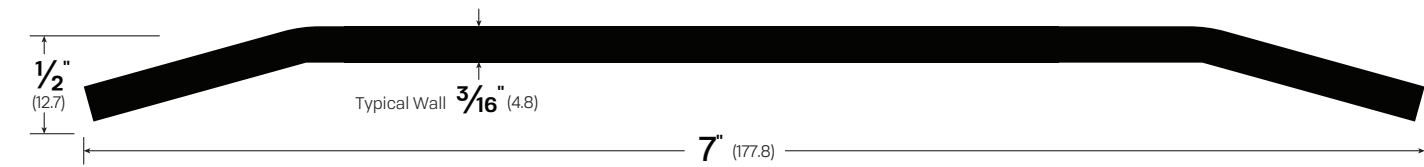
#3561SS



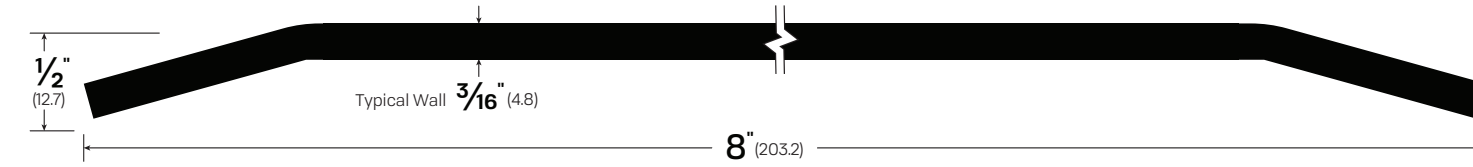
#3661SS



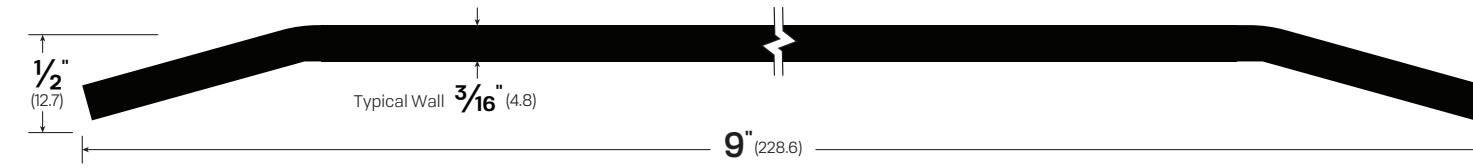
#3761SS



#3861SS



#3961SS



LEGACY	3461SS	3561SS	3661SS	3761SS	3861SS	3961SS
NGP	412SS	512SS	612SS	712SS	812SS	-
PEMKO	175SS	154SS	-	-	-	-
ZERO	664ST	-	-	-	-	-

FINISHES: SS

OPTIONS: ACF, EPX, LS, FL, PEPX, RUB

NOTES: Flathead Zinc-plated screws - #10 x 1-1/2"

Thresholds
Saddles

Thresholds
Saddles

How To Order: Self-Adhesive Gasketing

Example #5881S-BK-PSA-17FT

Easy Ways To Order

Email

Orders@LegacyLLC.com

Phone

Local: +1 (718) 292-5333
Toll Free: +1 (888) 383-3330

PART NUMBER - **COLOR** - **OPTIONS** - **LENGTH (FT)**
5881S - BK - PSA - 17 FT

PART NUMBER

1S	5814SPR
2S	5848S
3S	5881S
4S	5883S
5S	5884S
6S	7177S
7S	7277S
42PB	50517S
413PB	50518S
423PB	50519S
443PB	50778SPR
5018SPR	50878SPR
5088S	51888S
5118SPR	52408S
5213SPR	52718SPR
5218SPR	53408SPR
5258SPR	53508F
5428S	54418S
5628SPR	55418S
5658S	56128S
5711S	77128S
5813SPR	

COLOR

Materials standard as noted for each part. Please check available colors listed for each product.

- BK** - Black
- BW** - Brown
- CL** - Clear
- GY** - Grey
- WH** - White

OPTIONS

Options vary by product. Please check available options listed for each product.

- Blank** - No Option
- FX** - Intumescent
- LIG** - Ligature Resistant
- PSA** - Pressure Sensitive Adhesive

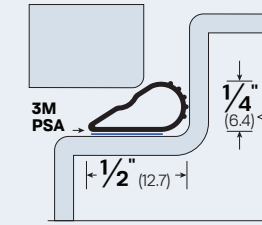
LENGTH

Please specify to nearest 12"



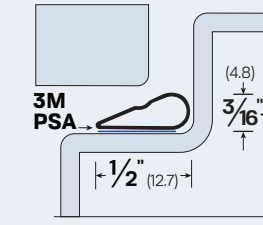
Silicone with Pressure Sensitive Adhesive (PSA)

#5881S



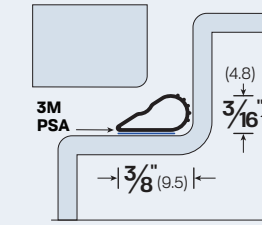
COLORS: BK, BW, CL, GY, WH
OPTIONS: FX, LIG

#5883S



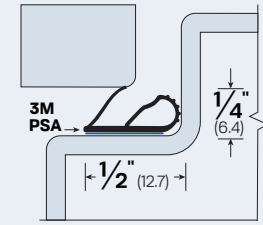
COLORS: BK, BW, CL, GY, WH
OPTIONS: FX, LIG

#5884S



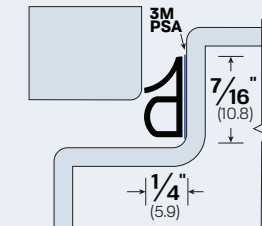
COLORS: BK, BW, CL, GY, WH
OPTIONS: FX, LIG

#55418S



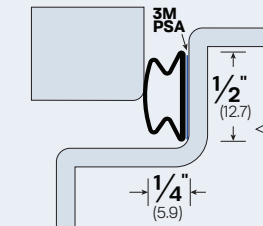
COLORS: BK, WH
OPTIONS: LIG

#5428S



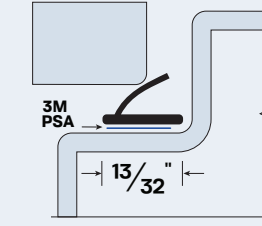
COLORS: BK, WH
OPTIONS: LIG

#56128S



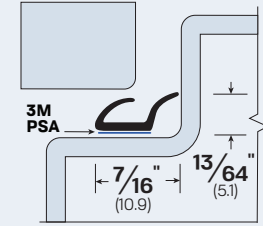
COLORS: BK, WH
OPTIONS: LIG

#5711S



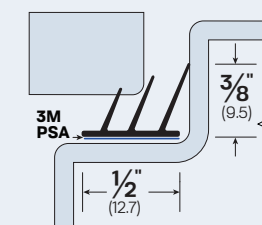
COLORS: BK, CL, GY, WH
OPTIONS: LIG

#52408S



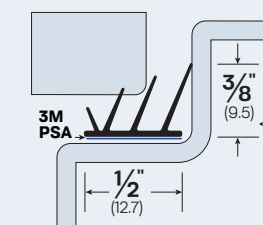
COLORS: BK, WH
OPTIONS: LIG

#50517S



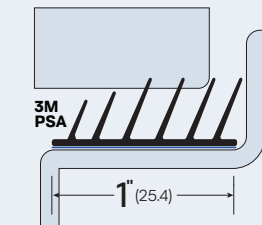
COLORS: BK, CL, WH
OPTIONS: LIG

#50518S



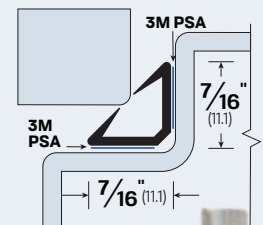
COLORS: BK, CL, WH
OPTIONS: LIG

#50519S



COLORS: BK
OPTIONS: LIG

#54418S



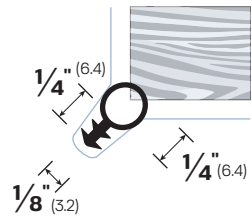
COLORS: BK, WH

LEGACY	5881S	5883S	5884S	50517S	50518S	50519S
NGP	5050C	-	2525C	5075C	-	-
PEMCO	S88BL	PK55BL	PK33BL	S773BL	-	S776BL
ZERO	188S-BK	-	488S-BK	-	8150S-BK	-

LEGACY	5428S	54418S	55418S	56128S	52408S	5711S
NGP	-	5020	2525Bx5040B	-	5070C	5040
PEMCO	-	S442BL	-	-	-	S44
ZERO	824N	8144S-BK	8145S-BK	8216S-BK	8042S-BK	117S-BK

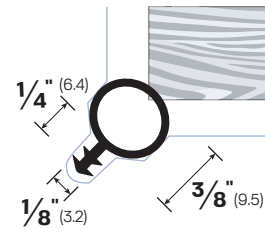
Kerf Gasketing *Silicone except as noted.*

#1S



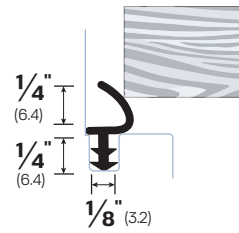
COLORS: BK, BW, GY, WH

#2S



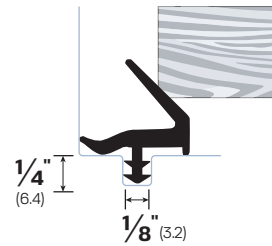
COLORS: BK, BW, GY, WH

#3S



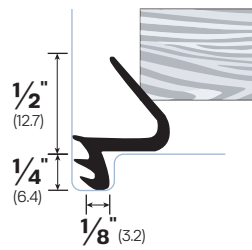
COLORS: BK, WH

#4S



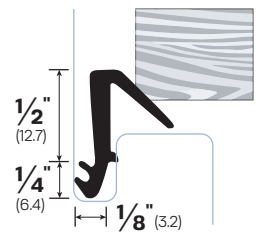
COLORS: BK, WH

#5S



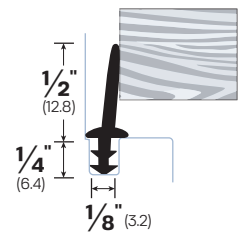
COLORS: BK, WH

#6S



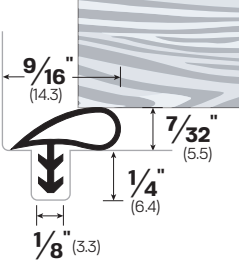
COLORS: BK, WH

#7S



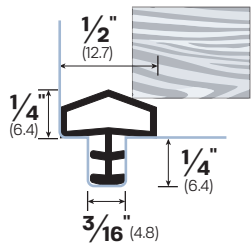
COLORS: BK, WH

#5088S



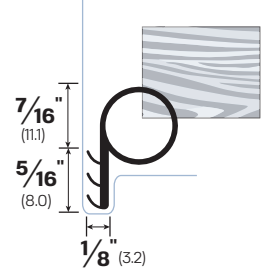
COLORS: BK, BW, WH

#50188S



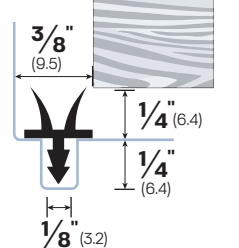
COLORS: BK, WH

#5658S



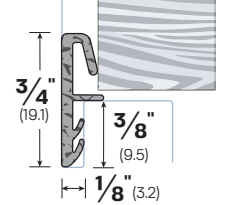
COLORS: BK, WH

#5848S



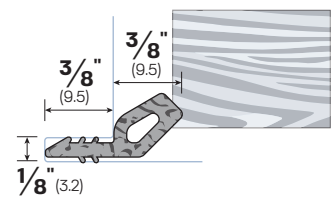
COLORS: BK

#53408SPR



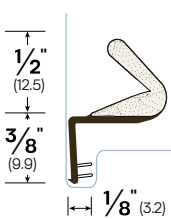
COLORS: BK
MATERIAL: Sponge Neoprene

#5258SPR



COLORS: BK
MATERIAL: Sponge Neoprene

#53518F



COLORS: BF, BKF, WF
MATERIAL: Foam

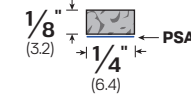
LEGACY	1S	2S	3S	4S	5S	6S	7S
NGP	-	-	-	-	-	-	-
PEMKO	S104D100	S105D100	-	-	-	-	-
ZERO	8054S-BK	8055S-BK	8004N	-	8841R	8043N	-

LEGACY	5088S	50188S	5658S	5848S	53408SPR	5258SPR	53518F
NGP	-	-	-	-	-	-	PF183
PEMKO	-	-	-	-	-	-	Q106
ZERO	8800S-BK	8810S-BK	8056Y	8048S-BK	8043N	8052N	-

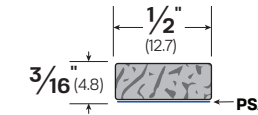
Sponge Rubber (SPR)

NOTES:
• SPR is black Neoprene.
• Pressure Sensitive Adhesive (PSA) standard

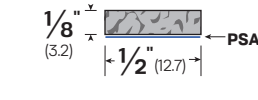
#52718SPR



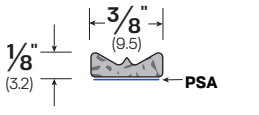
#5213SPR



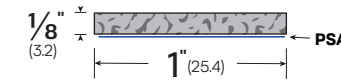
#50778SPR



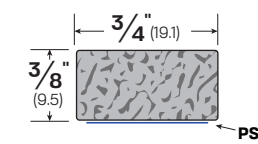
#5628SPR



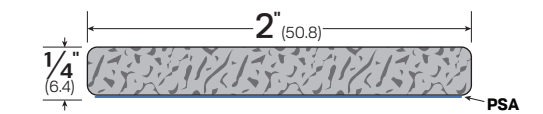
#50878SPR



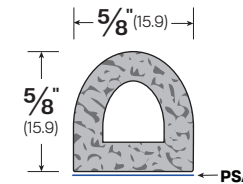
#5813SPR



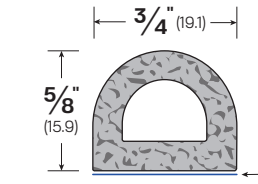
#5814SPR



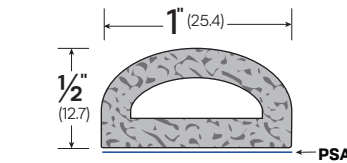
#5018SPR



#5118SPR

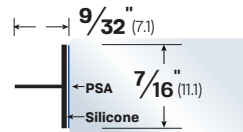


#5218SPR



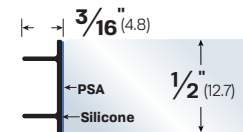
Silicone Gasketing (S)

#7177S



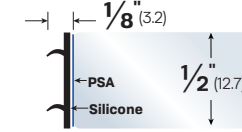
COLORS: BK, CL, WH

#7277S



COLORS: BK, CL, WH

#77128S

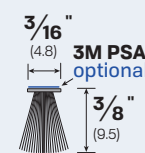


COLORS: BK, WH



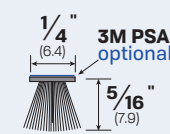
Pile Brush

#413PB



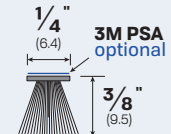
COLORS: GY
OPTIONS: PSA

#423PB



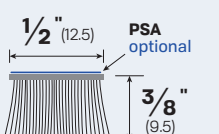
COLORS: GY, BK
OPTIONS: PSA

#443PB



COLORS: GY, BK
OPTIONS: PSA

#42PB



COLORS: BK, WH
OPTIONS: PSA

How To Order: Perimeter Seals

Example #5077CA-FX-36

Easy Ways To Order

Email
Orders@LegacyLLC.com

Phone
Local: +1 (718) 292-5333
Toll Free: +1 (888) 383-3330

PART NUMBER & FINISH - OPTIONS - LENGTH
5077 - CA - FX - 36

PART #

- 501 5552
- 513 5574
- 523 5583
- 589 5584
- 599 5623
- 5001 5823SPB
- 5041 5823
- 5071 5873
- 5072 5874
- 5074 5903
- 5075 5924
- 5077SPB 5924L-EXT
- 5077 5974
- 5078SPB 50777
- 5078 51888
- 5175 52888
- 5178 53038
- 5203-FX 59150
- 5217
- 5272
- 5274
- 5413

FINISH / MATERIAL

Perimeter seals are available in Aluminum and Steel in various options. Please check available finishes listed for each product.

- CA** - Clear Anodized Aluminum
- MA** - Mill Aluminum
- BK** - Black Anodized Aluminum
- DB** - Dark Bronze Anodized Aluminum
- MB** - Matte Black Powder Coat
- WP** - White Powder Coat
- BR** - Architectural Bronze
- SP** - Grey Steel Prime
- SS** - Stainless Steel

OPTIONS

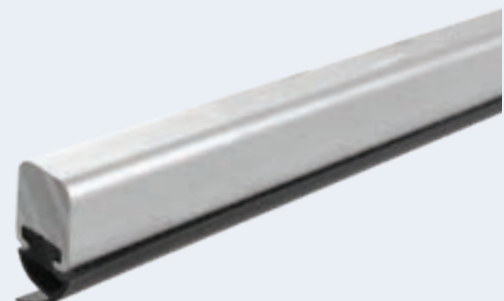
Options vary by product. Please check available options listed for each product.

- Blank** - No Option
- BRW** - Brillow
- EMI/RFI** - Electromagnetic/Radio Frequency Interference
- FL** - Fire Label
- FOAM** - Foam Insert
- FX** - Intumescent
- LIG** - Ligature Resistant
- PB-BK** - Black Pile Brush
- PB-GY** - Grey Pile Brush
- POL** - Polished Bronze
- PSA** - Pressure Sensitive Adhesive
- RS** - Access Control Ribbon Switch
- S-WH** - White Silicone
- SF** - Security Fasteners

LENGTH Please specify to nearest 1/16"



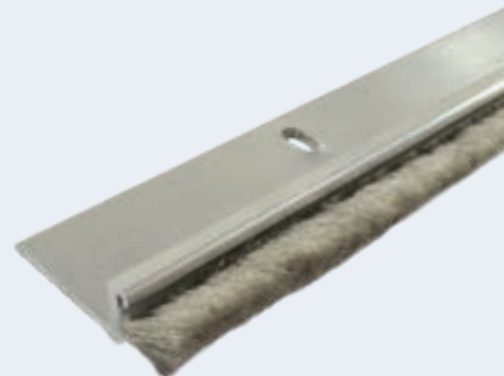
#5077CA



#513CA

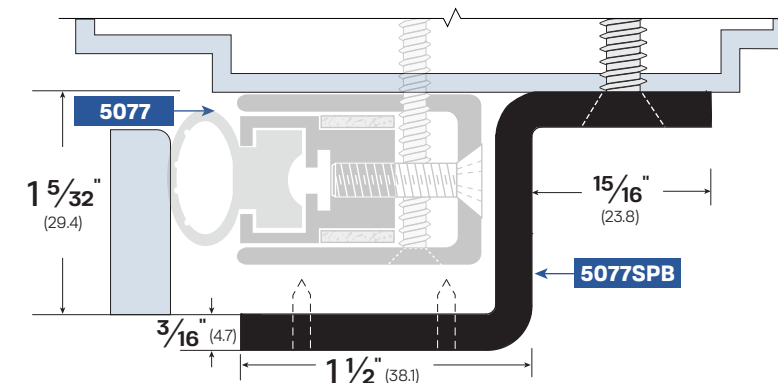


#5874CA



#589MA

#5077SPB



FINISHES: SP

OPTIONS: FL - Fire Label

NOTES:

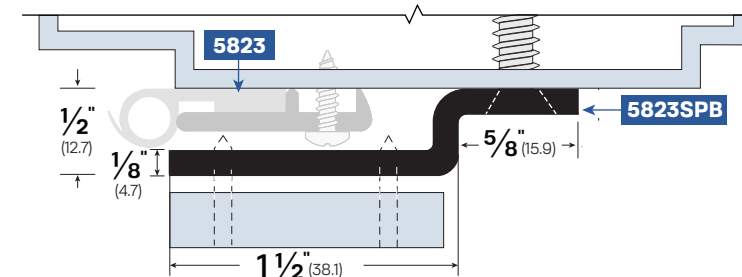
- Closer Bracket Plate
- To be used with 5071, 5077 or parts of similar size.
- Standard length is 6"
- Specify other length if needed.

LEGACY	NGP	PEMKO	ZERO
5077SPB	3SP	-	770SPB



#5077SPB-SP

#5823SPB



FINISHES: SP

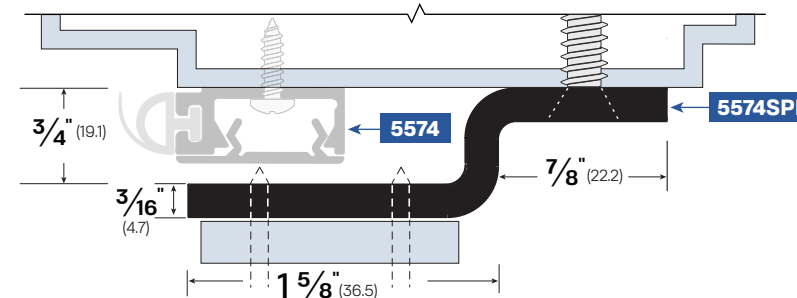
OPTIONS: FL - Fire Label

NOTES:

- Closer Bracket Plate
- To be used with 5071, 5077 or parts of similar size
- Standard length is 6"
- Specify other length if needed.

LEGACY	NGP	PEMKO	ZERO
5823SPB	-	-	328SPB

#5078SPB



FINISHES: SP

OPTIONS: FL - Fire Label

NOTES:

- Closer Bracket Plate
- To be used with 5574, 5075, 5078 or parts of similar size
- Standard length is 6"
- Specify other length if needed.

LEGACY	NGP	PEMKO	ZERO
5078SPB	7SP	-	870SPB



#5077SPB installed at the door strike.



#5823SPB installed at the head of the door.

Perimeter Seals

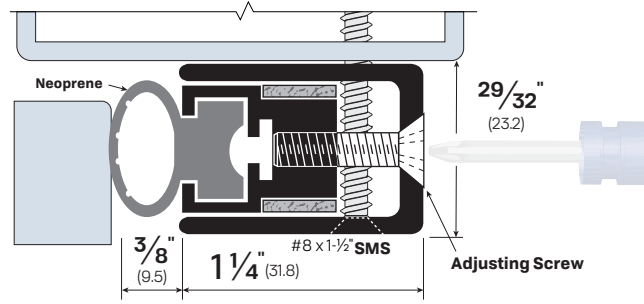
Adjustable Seals

These systems provide adjustability that helps compensate for gaps due to imperfect door alignment, or resulting from temperature and humidity changes, in order to optimize sealing performance. Adjustments are made simply with a few turns of a screwdriver.



#5077CA Installed on head of frame.

#5077



FINISHES: CA, BK, WP, SP, SS

OPTIONS: BRW - Brillow
FL - Fire Label
EMI/RFI - Electromagnetic/Radio Frequency Interference

NOTES:

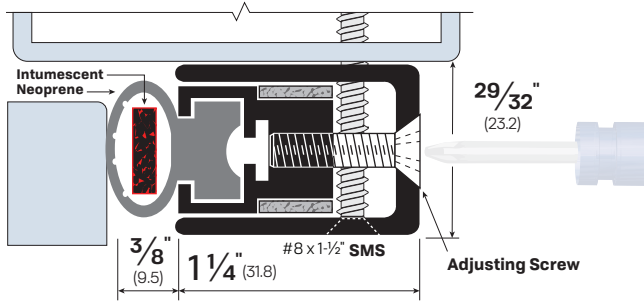
- Used with a cased open frame
- Replacement neoprene - Part #4563N

LEGACY	NGP	PEMKO	ZERO
5077	1038N	319N	770AA



#5077CA

#5077-FX



FINISHES: CA, BK, WP, SP, SS

OPTIONS: FX - Intumescent for Fire/Acoustical applications

NOTES:

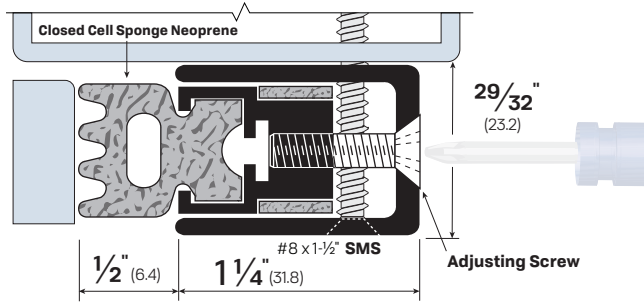
- Used with a cased open frame
- Replacement FX - Part #13312
- Replacement neoprene - Part #4563N

LEGACY	NGP	PEMKO	ZERO
5077-FX	-	-	770FS



#5077CA-FX

#5071



FINISHES: CA, BK, WP, SP, SS

NOTES:

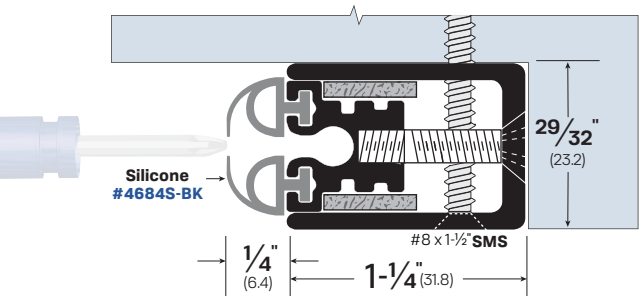
- Used with a cased open frame
- Replacement closed cell sponge neoprene - Part #4363SPR

LEGACY	NGP	PEMKO	ZERO
5071	103N	350CSR	170AA



#5071CA

#50777



FINISHES: CA, BK, WP, SP, SS

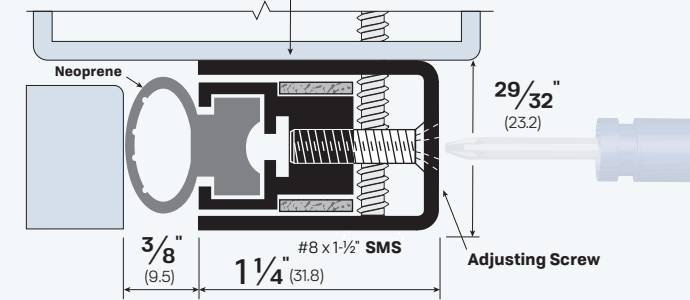
NOTES:

- Replacement silicone - Part #4684S-BK Available in Black (-BK)
- Adjustable range is up to 5/16" (7.9)

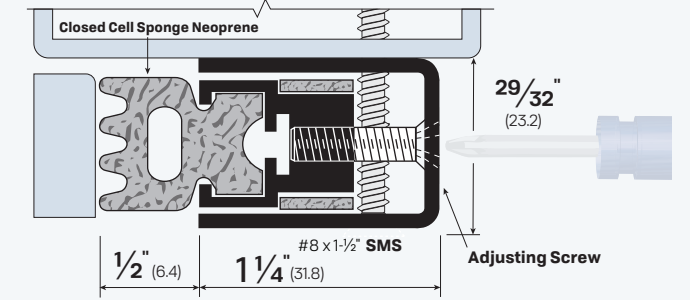
LEGACY	NGP	PEMKO	ZERO
50777	-	-	7770AA

Stainless Steel

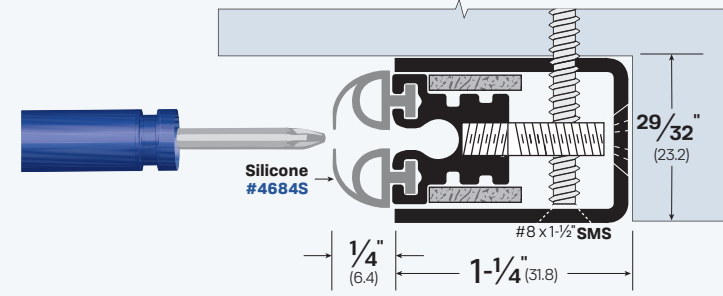
#5077SS



#5071SS



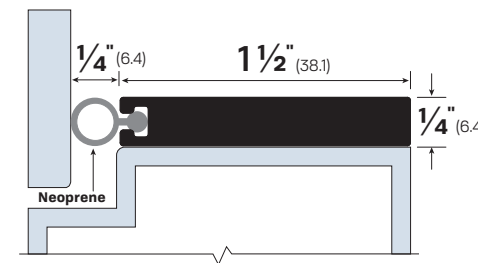
#50777SS



FINISHES: SP, SS

LEGACY	5077SS	5071SS	50777SS
NGP	-	-	-
PEMKO	-	-	-
ZERO	770SS/770SP	170SS/170SP	7770SS/7770SP

#5924



FINISHES: MA, MB, WP

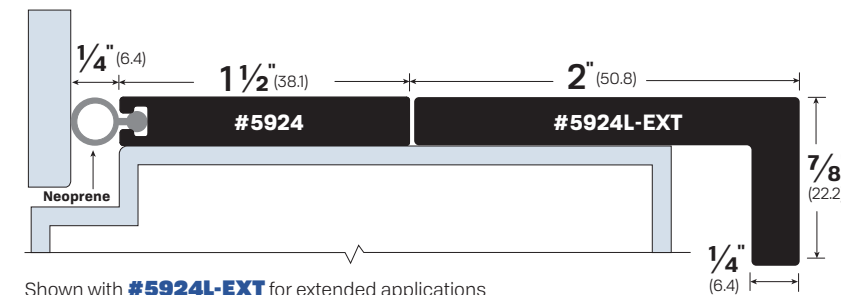
OPTIONS:
FL - Fire Label
LIG - Ligature Resistant

NOTES:

- Allows mounting door closer or rim exit device strikes without notching or other breaks in seal.
- Replacement neoprene - Part #4338N

LEGACY	NGP	PEMKO	ZERO
5924	700N	2891AS	429AA

#5924L-EXT



Shown with #5924L-EXT for extended applications



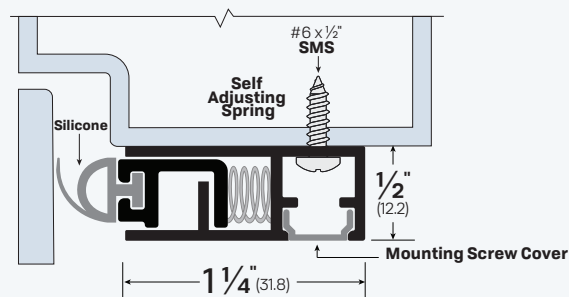
#5077 installed in conjunction with #5077SPB.

Perimeter Seals

Perimeter Seals

#501 (Patent Pending)

Developed in response to customer demand, this unique design innovation eliminates the trade-off between functionality and aesthetics in mechanically fastened adjustable gasketing. The mounting screw is concealed inside a housing for a clean, uninterrupted surface along the perimeter seal. Available only from Legacy.



FINISHES: CA, BK, WP

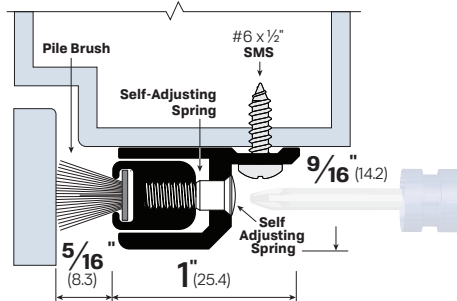
OPTIONS:

- FL** - Fire Label
- LIG** - Ligature Resistant
- S-WH** - White Silicone
- SF** - Security Fasteners

NOTES: Self-adjusting perimeter seal with concealed screws.

LEGACY	NGP	PEMKO	ZERO
501	-	-	-

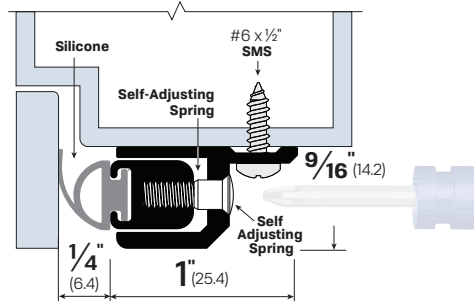
#5552



FINISHES: CA, DB, MB, WP

LEGACY	NGP	PEMKO	ZERO
5552	140	351CP	255AA

#5217



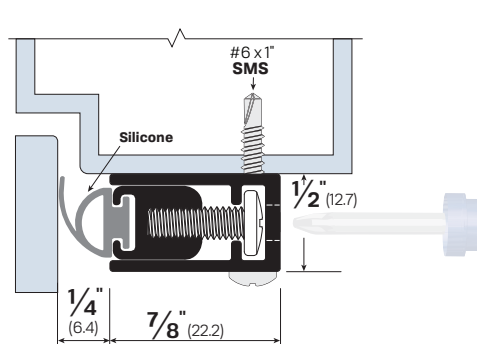
FINISHES: CA, DB, MB, WP

OPTIONS:

- LIG** - Ligature Resistant
- S-WH** - White Silicone

LEGACY	NGP	PEMKO	ZERO
5217	141N	-	712AA

#5078



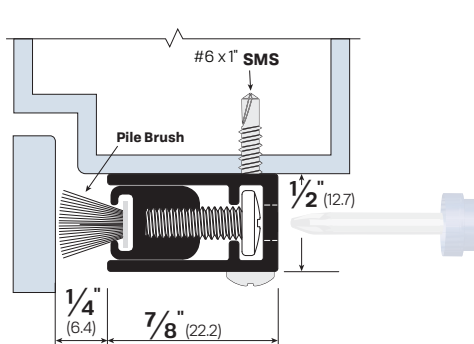
FINISHES: CA, BK, WP

OPTIONS:

- LIG** - Ligature Resistant
- S-WH** - White Silicone
- FL** - Fire Label

LEGACY	NGP	PEMKO	ZERO
5078	106N	379AR	870AA

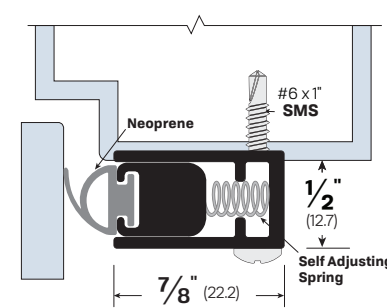
#5178



FINISHES: CA, BK, WP

LEGACY	NGP	PEMKO	ZERO
5178	140P	351CP	871AA

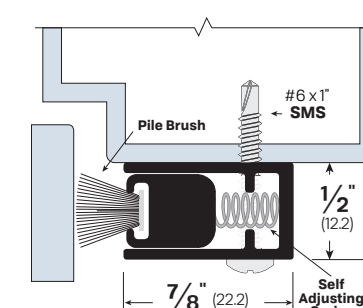
#5075



FINISHES: CA, BK, WP

LEGACY	NGP	PEMKO	ZERO
5075	141N	379AR	570AA

#5175



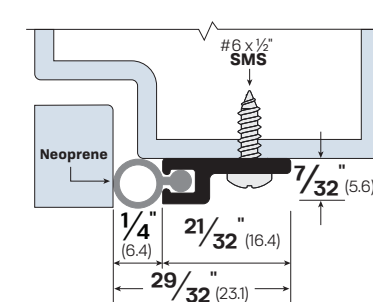
FINISHES: CA, BK, WP

LEGACY	NGP	PEMKO	ZERO
5175	141P	-	571AA



#5075CA

#53038



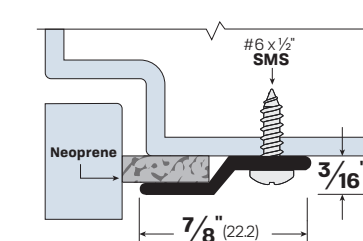
FINISHES: CA, BK, WP

OPTIONS:

- FL** - Fire Label
- PSA** - Pressure Sensitive Adhesive

LEGACY	NGP	PEMKO	ZERO
53038	135N	303PIC	8303AA

#59150



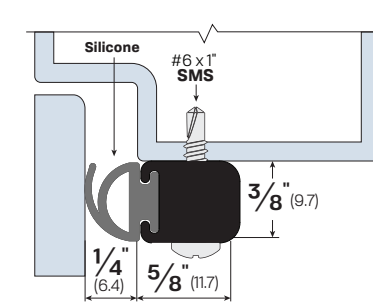
FINISHES: MA, DB

LEGACY	NGP	PEMKO	ZERO
59150	-	-	-



#53038CA

#513



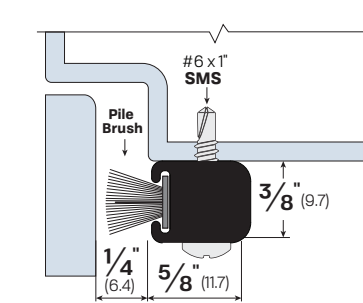
FINISHES: CA, BK, WP

OPTIONS:

- LIG** - Ligature Resistant
- S-WH** - White Silicone
- FL** - Fire Label

LEGACY	NGP	PEMKO	ZERO
513	2N	300CP	31AA

#523



FINISHES: CA, BK, WP

OPTIONS:

- PB-BK** - Black Pile Brush
- PB-GY** - Grey Pile Brush

LEGACY	NGP	PEMKO	ZERO
523	2P	300CP	32AA



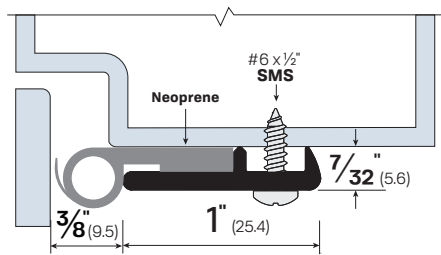
#513CA

LEGACY	NGP	PEMKO	ZERO
533	2S	-	33AA

Perimeter Seals

Perimeter Seals

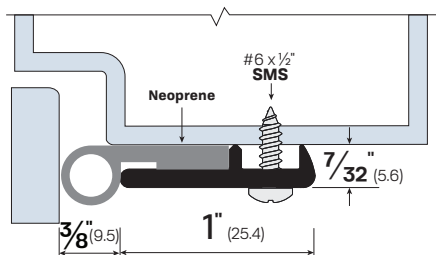
#5623



FINISHES: CA, BK, WP
OPTIONS:
LIG - Ligature Resistant **POL** - Polished Bronze
FL - Fire Label

LEGACY	NGP	PEMKO	ZERO
5623	137N	319N	326AA

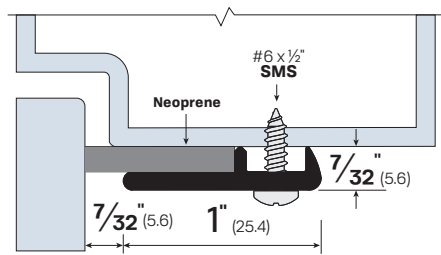
#5823



FINISHES: CA, BK, WP
OPTIONS:
LIG - Ligature Resistant **POL** - Polished Bronze
FL - Fire Label

LEGACY	NGP	PEMKO	ZERO
5823	137N	319N	328AA

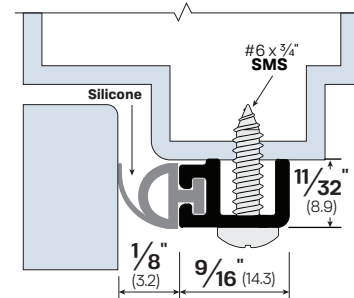
#5413



FINISHES: CA, BK, WP
OPTIONS:
LIG - Ligature Resistant **POL** - Polished Bronze
FL - Fire Label

LEGACY	NGP	PEMKO	ZERO
5413	134N	319AR	314AA

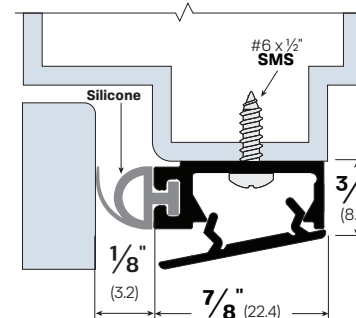
#5584



FINISHES: MA, BK, WP
OPTIONS:
LIG - Ligature Resistant **FL** - Fire Label
NIT - Nitrile Extrusion

LEGACY	NGP	PEMKO	ZERO
5584	152S	312AR	485A

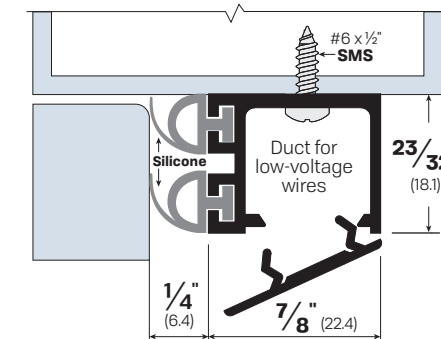
#5574



FINISHES: CA, BK, WP
OPTIONS:
LIG - Ligature Resistant **FL** - Fire Label
S-WH - White Silicone **NIT** - Nitrile Extrusion

LEGACY	NGP	PEMKO	ZERO
5574	172N	29321-TF	475AA

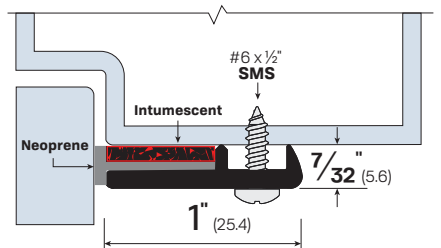
#5874



FINISHES: CA, MB, WP
OPTIONS:
FL - Fire Label **S-WH** - White Silicone

LEGACY	NGP	PEMKO	ZERO
5874	-	-	478AA

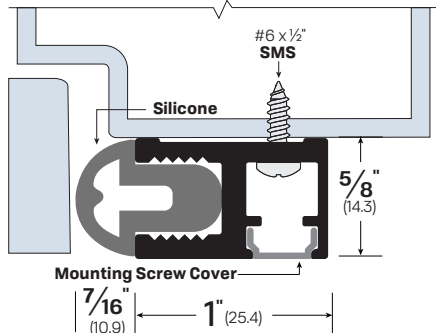
#5203-FX



FINISHES: CA, BK, WP
OPTIONS:
LIG - Ligature Resistant **POL** - Polished Bronze
FX - Intumescent

LEGACY	NGP	PEMKO	ZERO
5203-FX	-	-	302FS

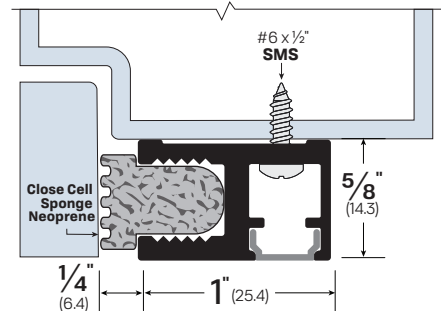
#51888



FINISHES: CA, MB, WP

LEGACY	NGP	PEMKO	ZERO
51888	-	-	-

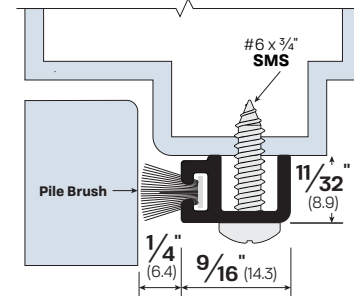
#52888



FINISHES: CA, MB, WP

LEGACY	NGP	PEMKO	ZERO
52888	-	-	-

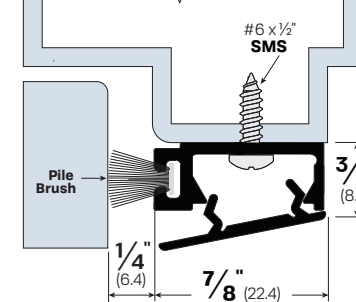
#5583



FINISHES: MA, BK, WP

LEGACY	NGP	PEMKO	ZERO
5583	-	-	-

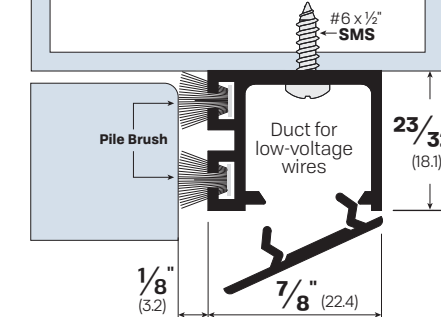
#5974



FINISHES: CA, BK, WP

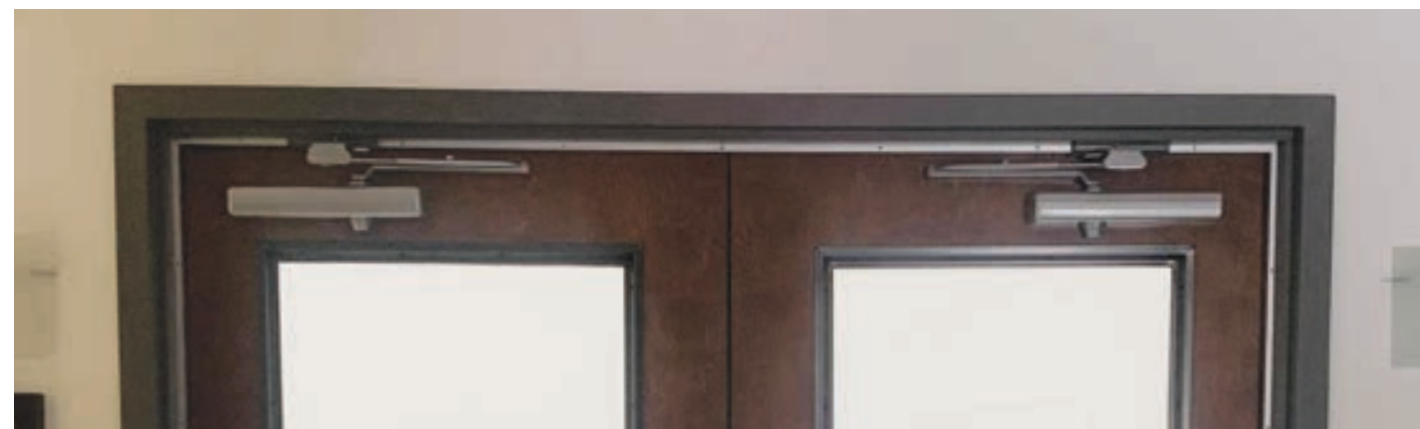
LEGACY	NGP	PEMKO	ZERO
5974	-	-	-

#5873



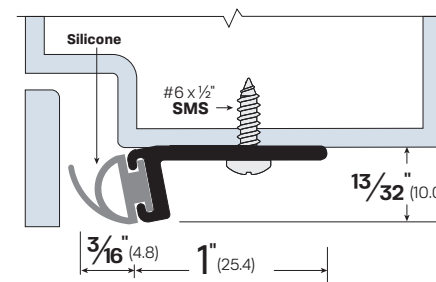
FINISHES: CA, MB, WP

LEGACY	NGP	PEMKO	ZERO
5873	-	-	-



Adjustable gasketing applied to the frame on a pair of conference room doors.

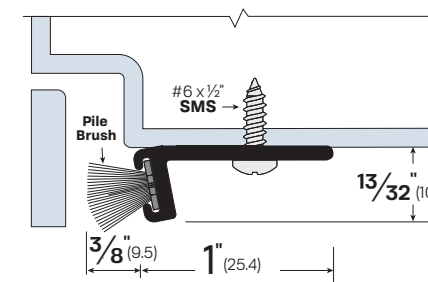
#599



FINISHES: MA, BK, WP
OPTIONS:
LIG - Ligature Resistant **S-WH** - White Silicone

LEGACY	NGP	PEMKO	ZERO
599	161N	-	99A

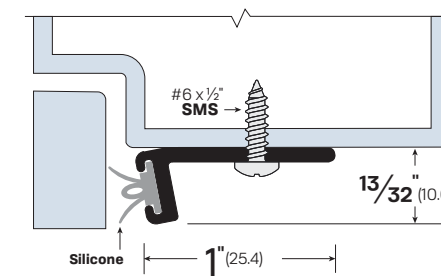
#589



FINISHES: MA, BK, WP
OPTIONS:
PB-GY - Grey Pile Brush **PB-BK** - Black Pile Brush

LEGACY	NGP	PEMKO	ZERO
589	161P	-	98A

#5001



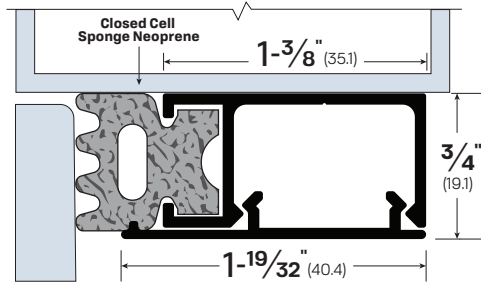
FINISHES: MA, BK, WP
OPTIONS:
LIG - Ligature Resistant **S-WH** - White Silicone

LEGACY	NGP	PEMKO	ZERO
5001	-	-	100A

Perimeter Seals

Perimeter Seals

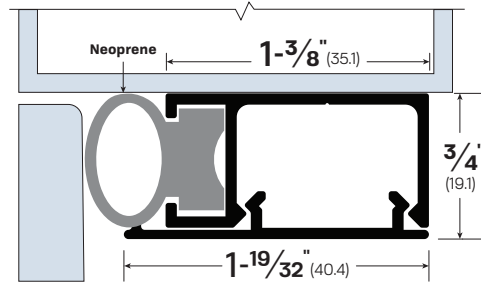
#5074



FINISHES: MA, MB, WP
OPTIONS:
FOAM - Foam LIG - Ligature Resistant

LEGACY	NGP	PEMKO	ZERO
5074	-	-	470AA

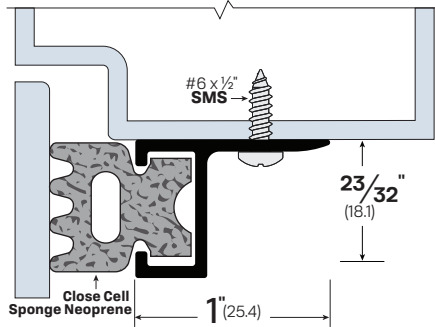
#5274



FINISHES: MA, MB, WP
OPTIONS:
FOAM - Foam FX - Intumescent

LEGACY	NGP	PEMKO	ZERO
5274	-	-	472AA

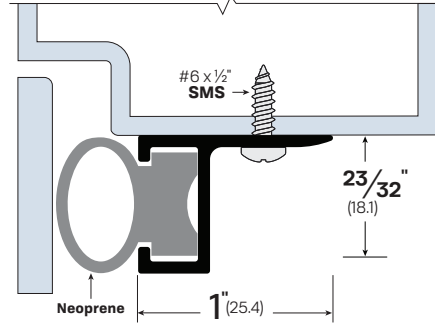
#5072



FINISHES: MA, DB, MB, WP
OPTIONS: LIG - Ligature Resistant

LEGACY	NGP	PEMKO	ZERO
5072	108N	285	270A

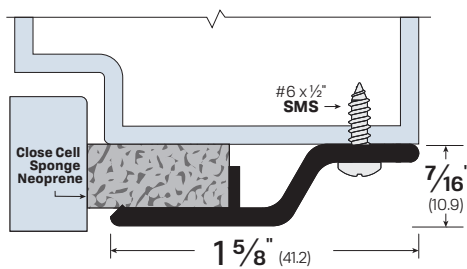
#5272



FINISHES: MA, DB, MB, WP
OPTIONS:
BRW - Brillow FX - Intumescent RS - Ribbon Switch

LEGACY	NGP	PEMKO	ZERO
5272	-	-	272A

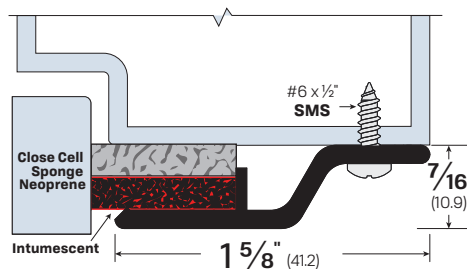
#5041



FINISHES: CA, BK
OPTIONS: FL - Fire Label

LEGACY	NGP	PEMKO	ZERO
5041	122N	375AR	140A

#5041-FX



FINISHES: CA, BK
OPTIONS: FX - Intumescent

LEGACY	NGP	PEMKO	ZERO
5041-FX	-	-	140FS



How To Order: Meeting Stiles / Astragals

Example #7383CA-84-TX

Easy Ways To Order

Email
Orders@LegacyLLC.com

Phone
Local: +1 (718) 292-5333
Toll Free: +1 (888) 383-3330

PART NUMBER & FINISH - LENGTH - OPTIONS
7383 CA - 84 -

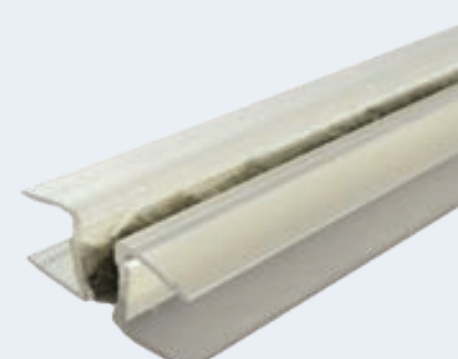
PART #	BOTH DOORS ACTIVE		ONE ACTIVE DOOR	
413PB	714	7483		
789	715	7531		
799	733	7631		
7001	734	7731		
7075	735	7831		
7078	743	7933		
7178	744	70481		
7275	763	77128S		
7378	774	77319		
7552	795			
7574	7041			
7583	7177S			
7623	7277S			
7823	7383			
7974				
72918				
73918				
74918				

NOTES: Both Doors Active: Order quantity must be 2, one for each leaf of the opening.

FINISH
Finishes vary by product. Please check available finishes listed for each product.
CA - Clear Anodized Aluminum
MA - Mill Aluminum
DB - Dark Bronze Anodized Aluminum
BK - Black Anodized Aluminum
MB - Matte Black Powder Coat
WP - White Powder Coat
SP - Steel Prime
SS - Stainless Steel

LENGTH
Please specify to nearest 1/16"

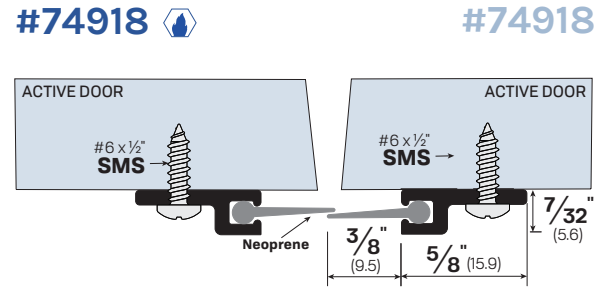
OPTIONS
Options vary by product. Please check available options listed for each product.
Blank - No Option NH - No Holes SF - Security Fasteners
FL - Fire Label POL - Polished Bronze SLC - Strike Lip Cut
LIG - Ligature Resistant PSA - Pressure Sensitive Adhesive S-WH - White Silicone
TX - Torx Security Screws



PAIR OF #74918CA

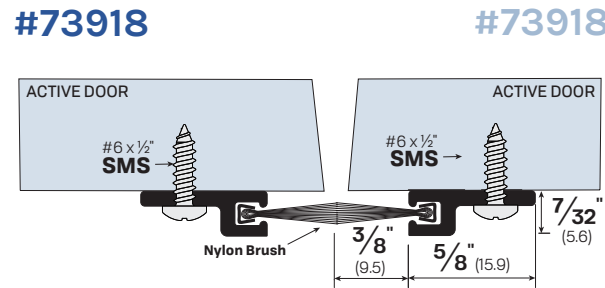


Perimeter Seals



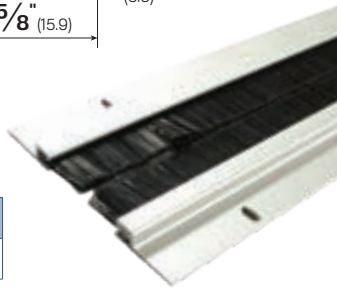
FINISHES: CA, BK, WP
OPTIONS:
FL - Fire Label LIG - Ligature Resistant
PSA - Pressure Sensitive Adhesive SF - Security Fasteners

LEGACY	NGP	PEMKO	ZERO
74918	115N	308CPK	8194AA

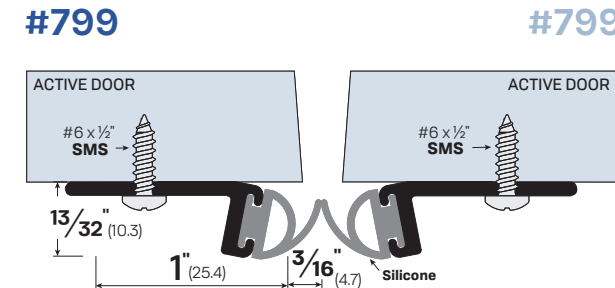


FINISHES: CA, BK, WP
OPTIONS: PSA - Pressure Sensitive Adhesive
SF - Security Fasteners

LEGACY	NGP	PEMKO	ZERO
73918	A605	18041CNB	8193AA

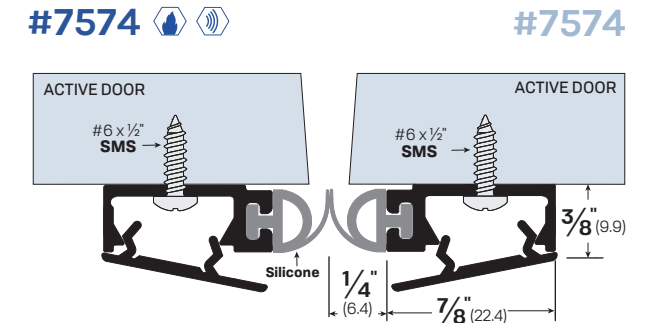


PAIR OF #73918



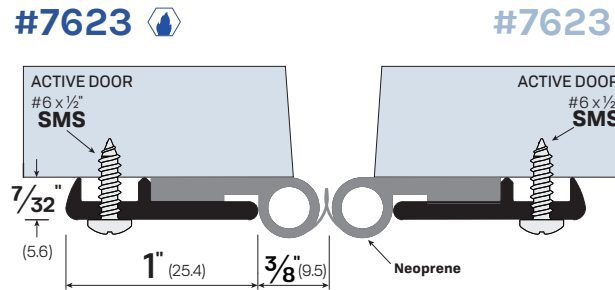
FINISHES: MA, BK, WP
OPTIONS:
LIG - Ligature Resistant S-WH - White Silicone

LEGACY	NGP	PEMKO	ZERO
799	161N	316AS	99A



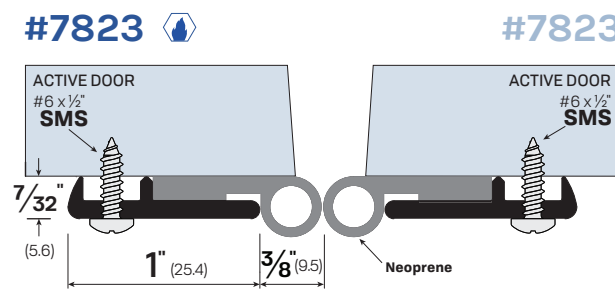
FINISHES: CA, BK, WP
OPTIONS:
FL - Fire Label LIG - Ligature Resistant
S-WH - White Silicone

LEGACY	NGP	PEMKO	ZERO
7574	172N	29321-TF	475AA



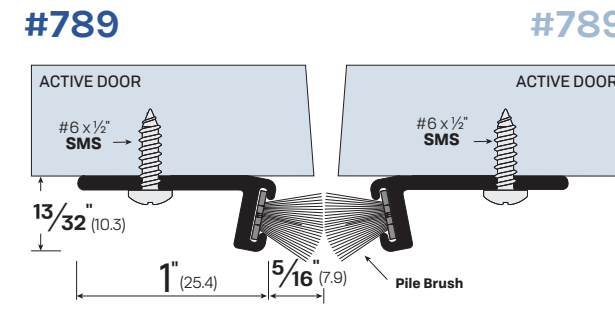
FINISHES: CA, BK, WP, BR
OPTIONS:
FL - Fire Label LIG - Ligature Resistant
POL - Polished Bronze

LEGACY	NGP	PEMKO	ZERO
7623	137N	319N	326AA



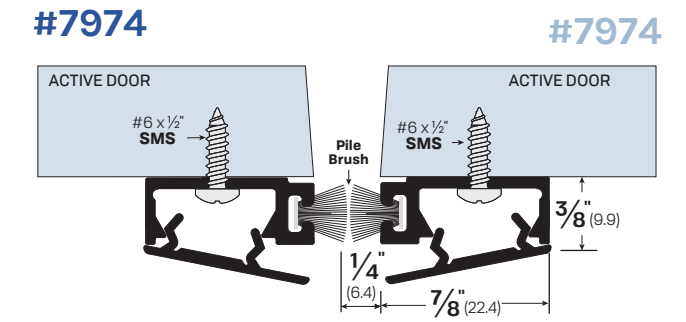
FINISHES: CA, BK, WP, BR
OPTIONS:
FL - Fire Label LIG - Ligature Resistant
POL - Polished Bronze

LEGACY	NGP	PEMKO	ZERO
7823	137N	319N	328AA



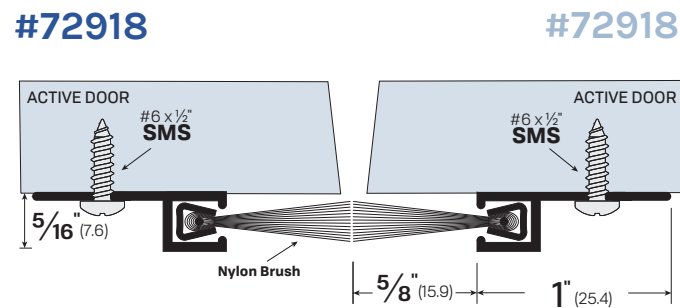
FINISHES: MA, BK, WP

LEGACY	NGP	PEMKO	ZERO
789	161P	-	98A



FINISHES: CA, BK, WP

LEGACY	NGP	PEMKO	ZERO
7974	-	-	-

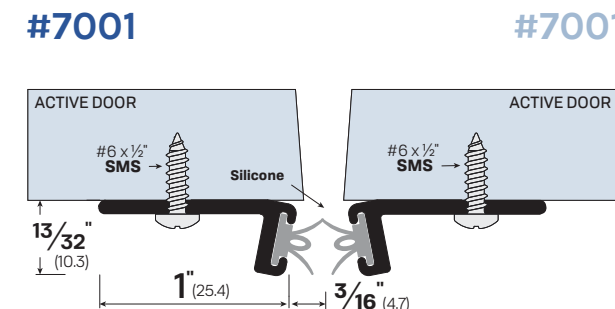


FINISHES: CA, BK, WP
OPTIONS: PSA - Pressure Sensitive Adhesive
SF - Security Fasteners

LEGACY	NGP	PEMKO	ZERO
72918	C607A	18061CNB	8192AA

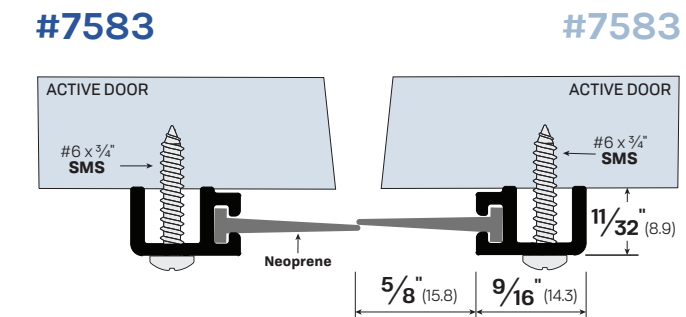


PAIR OF #74918



FINISHES: MA, BK, WP
OPTIONS:
LIG - Ligature Resistant
S-WH - White Silicone

LEGACY	NGP	PEMKO	ZERO
7001	161S	-	100A

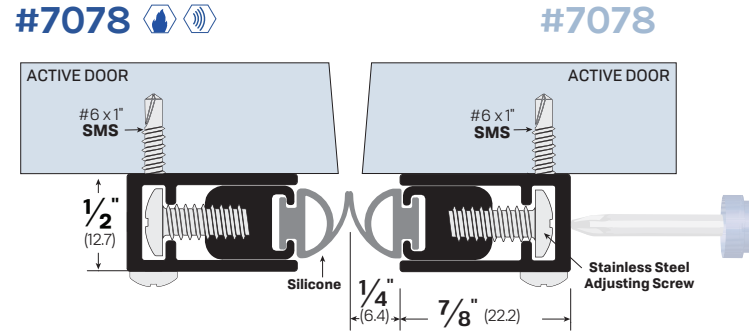


FINISHES: CA, BK, WP
OPTIONS:
LIG - Ligature Resistant
SF - Security Fasteners

LEGACY	NGP	PEMKO	ZERO
7583	-	-	-

Meeting Stiles
Astragals

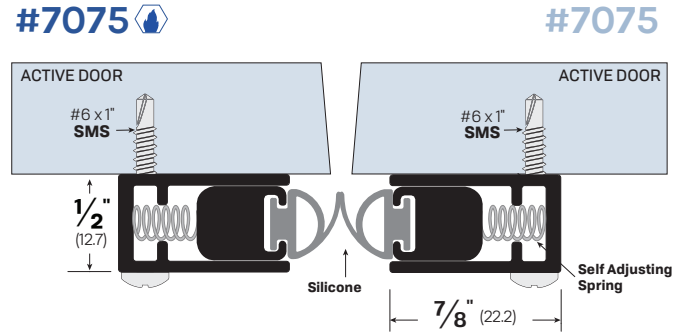
Meeting Stiles
Astragals



#7078

FINISHES: CA, BK, WP
OPTIONS:
FL - Fire Label **LIG** - Ligature Resistant
S-WH - White Silicone

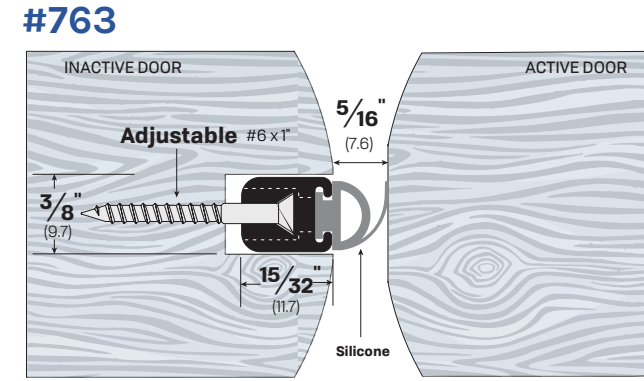
LEGACY	NGP	PEMKO	ZERO
7078	140N	379AR	870AA



#7075

FINISHES: CA, BK, WP
OPTIONS:
FL - Fire Label **LIG** - Ligature Resistant
S-WH - White Silicone

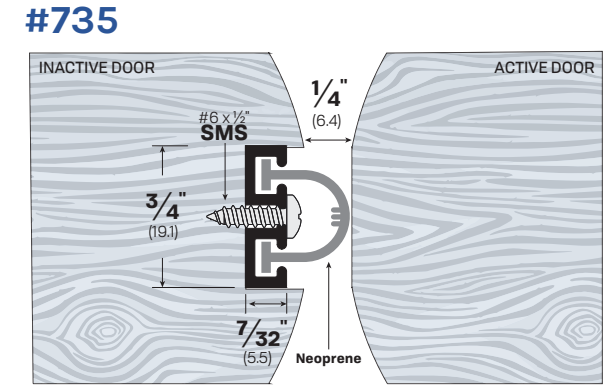
LEGACY	NGP	PEMKO	ZERO
7075	141N	379AR	570AA



#763

FINISHES: CA, BK, WP
OPTIONS:
LIG - Ligature Resistant **S-BK** - Black Silicone

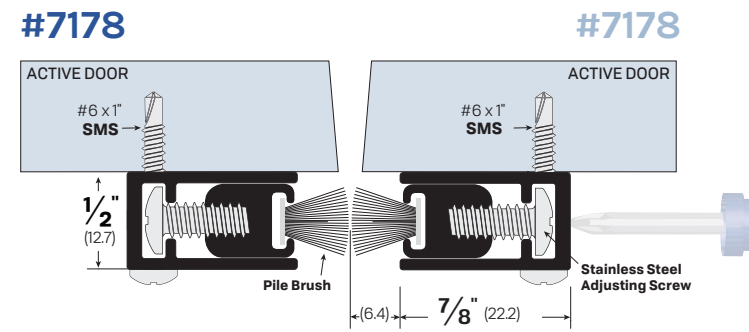
LEGACY	NGP	PEMKO	ZERO
763	144S	300CP	36AA



#735

FINISHES: MA
OPTIONS: **LIG** - Ligature Resistant

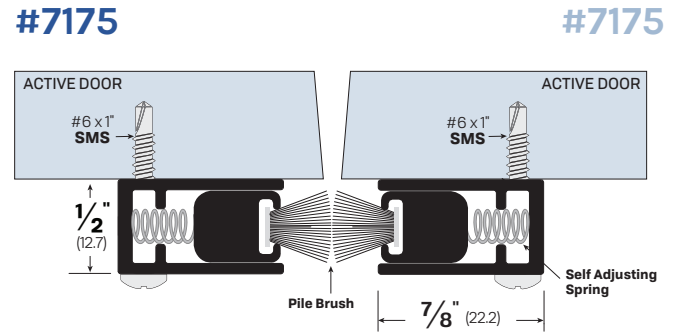
LEGACY	NGP	PEMKO	ZERO
735	116N	-	53AA



#7178

FINISHES: CA, BK, WP
OPTIONS: SF - Security Fasteners

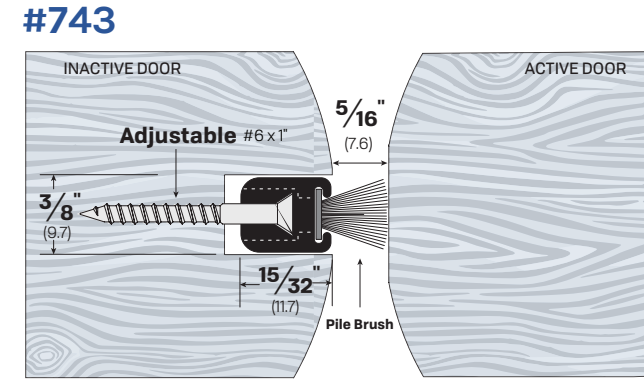
LEGACY	NGP	PEMKO	ZERO
7178	140P	-	871AA



#7175

FINISHES: CA, BK, WP

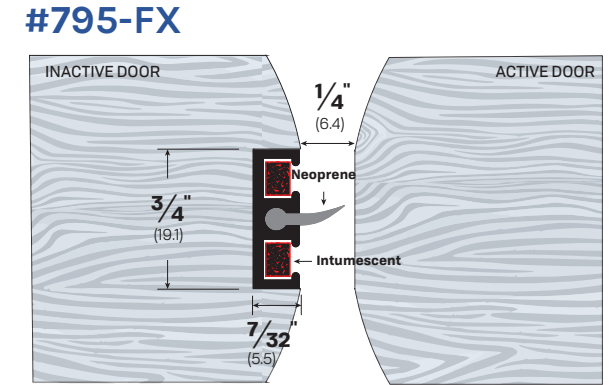
LEGACY	NGP	PEMKO	ZERO
7175	-	-	-



#743

FINISHES: CA, BK, WP

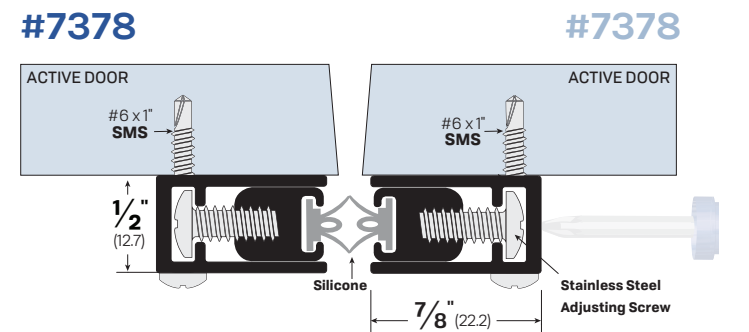
LEGACY	NGP	PEMKO	ZERO
743	143P	-	34AA



#795-FX

FINISHES: CA, DB, MB, WP
OPTIONS: FX - Intumescent

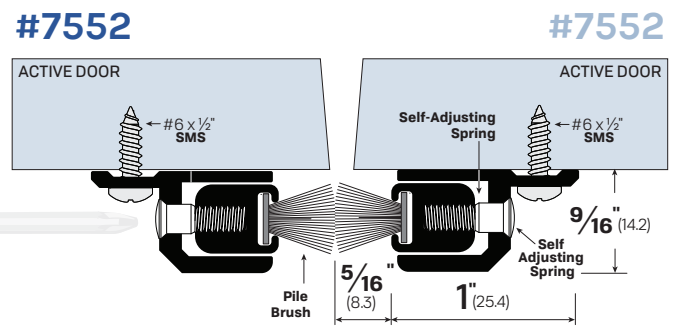
LEGACY	NGP	PEMKO	ZERO
795-FX	-	-	59FS



#7378

FINISHES: CA, BK, WP
OPTIONS:
LIG - Ligature Resistant **S-WH** - White Silicone

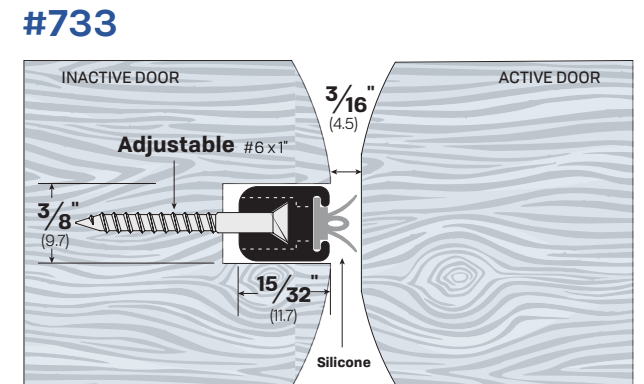
LEGACY	NGP	PEMKO	ZERO
7378	140S	351CS	873AA



#7552

FINISHES: CA, BK, WP
OPTIONS: **LIG** - Ligature Resistant

LEGACY	NGP	PEMKO	ZERO
7552	140P	351CP	255AA



#733

FINISHES: CA, BK, WP
OPTIONS:
LIG - Ligature Resistant **S-WH** - White Silicone

LEGACY	NGP	PEMKO	ZERO
733	2S	-	33AA

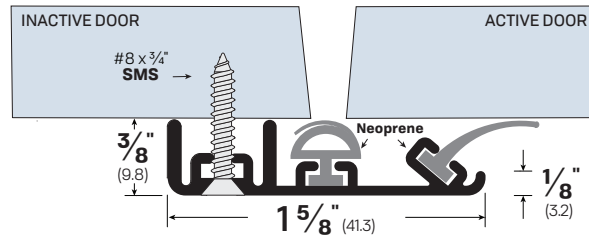


#733C

Meeting Stiles
Astragals

Meeting Stiles
Astragals

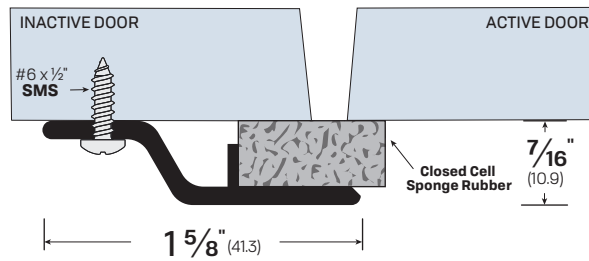
#7383



FINISHES: CA, DB, MB, WP
OPTIONS:
LIG - Ligature Resistant **SLC** - Strike Lip Cut
NOTES:
• Replacement neoprene lip - Part #4383N
• Replacement neoprene bulb - Part #4674N

LEGACY	NGP	PEMKO	ZERO
7383	158N	355	383AA

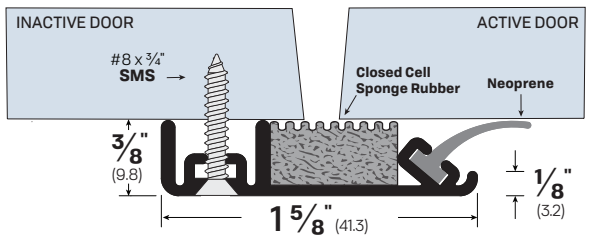
#7041



FINISHES: CA, BK
NOTES:
• Replacement closed cell sponge neoprene - Part #4813SPR

LEGACY	NGP	PEMKO	ZERO
7041	122N	375CR	140A

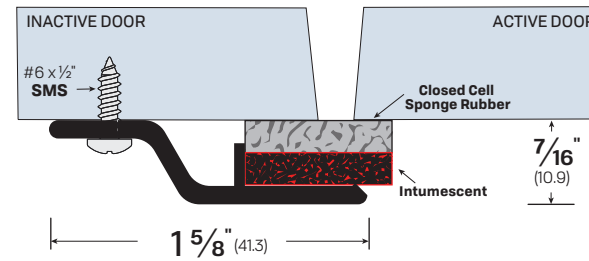
#7483



FINISHES: CA, BK, WP
OPTIONS:
LIG - Ligature Resistant **SLC** - Strike Lip Cut
NOTES:
• Replacement sponge neoprene - Part #4483SPR
• Replacement neoprene - Part #4383N

LEGACY	NGP	PEMKO	ZERO
7483	-	-	-

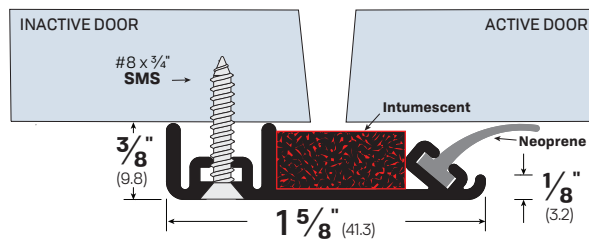
#7041-FX



FINISHES: CA, BK
NOTES:
• Intumescent material for Fire/Acoustical applications

LEGACY	NGP	PEMKO	ZERO
7041-FX	-	-	140FS

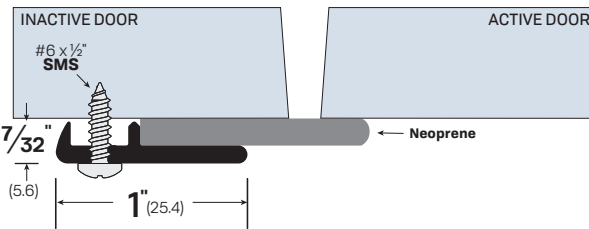
#7483-FX



FINISHES: CA, BK, WP
OPTIONS:
FX - Intumescent **SLC** - Strike Lip Cut
NOTES:
• Intumescent material for Fire/Acoustical applications
• Replacement neoprene - Part #4383N

LEGACY	NGP	PEMKO	ZERO
7483-FX	-	-	383FS

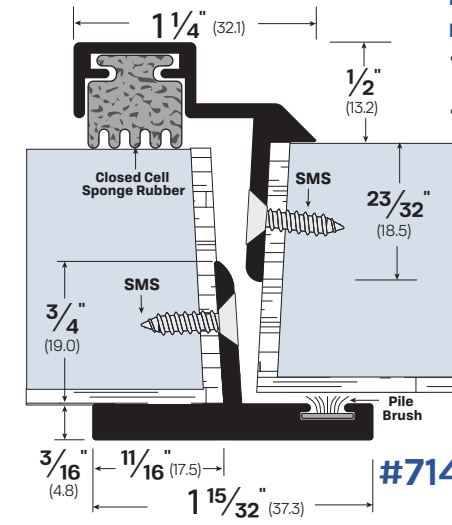
#7933



FINISHES: CA, BK, WP, BR
OPTIONS:
FL - Fire Label
NOTES:
• Replacement neoprene - Part #493N

LEGACY	NGP	PEMKO	ZERO
7933	198N	315CN	339AA

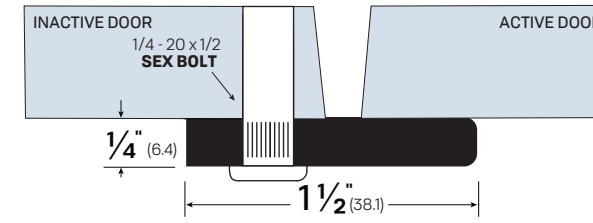
#70481



FINISHES: CA, MB, WP
NOTES:
• Replacement closed cell sponge neoprene - Part #5248SPR
• Replacement Pile Brush - Part #413PB

LEGACY	NGP	PEMKO	ZERO
70481	148N	-	1840A

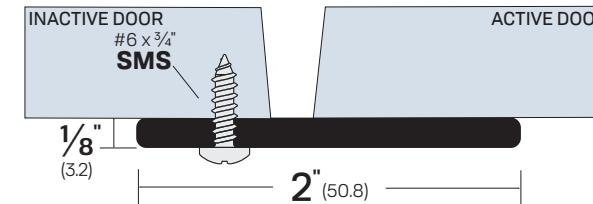
#744



FINISHES: MA, MB
NOTES:
• Other widths are available - Specify width

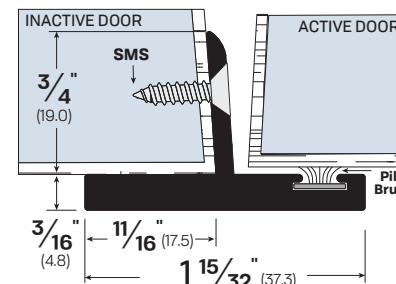
LEGACY	NGP	PEMKO	ZERO
744	-	-	905A

#774

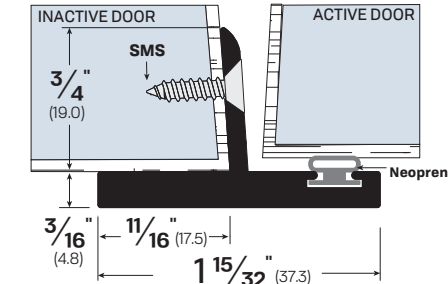


FINISHES: CA, MB
LEGACY 774 139A 357 47AA

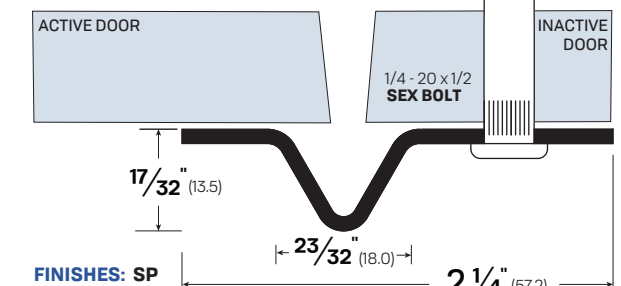
#714



#715



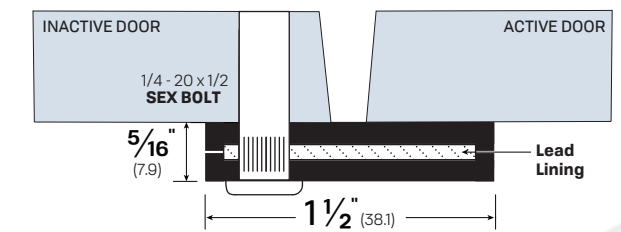
#734 - Security Astragal



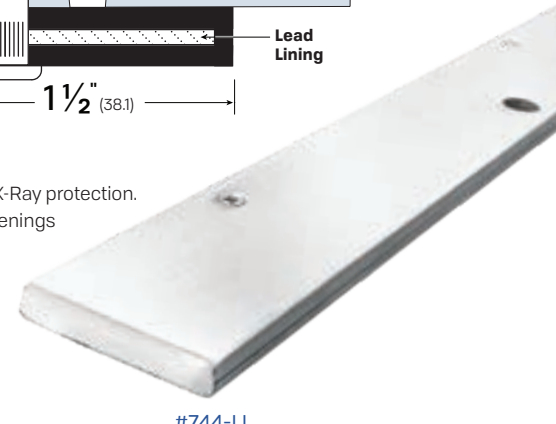
FINISHES: SP
OPTIONS:
FL - Fire Label **SF** - Security Fasteners

LEGACY	NGP	PEMKO	ZERO
734	1390SP	3572	43SP

#744-LL



FINISHES: MA
NOTES:
• Lead Lined Material for X-Ray protection.
• For use on lead lined openings
• .032 lead thickness



LEGACY	NGP	PEMKO	ZERO
715	158	355CS	-
714	158P	355CP	41AA

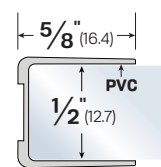
FINISHES: CA, MB, WP
NOTES:
• Replacement Pile Brush - Part #413PB
• Replacement Pile Brush - Part #413PB

Meeting Stiles Astragals

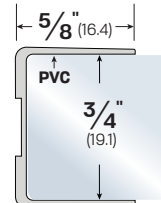
Meeting Stiles Astragals

Glass Door Gasketing

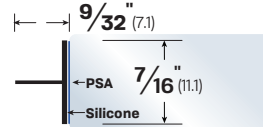
#7531



#7631

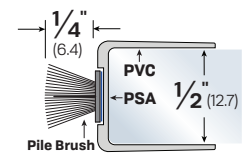


#7177S



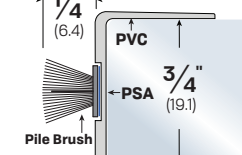
COLORS: BK, CL

#7731



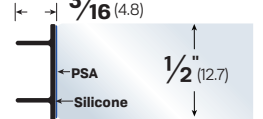
PILE COLORS: GY, BK

#7831



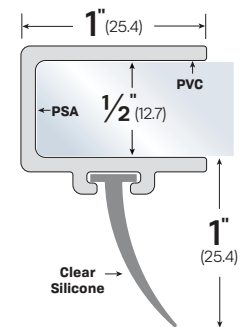
PILE COLORS: GY, BK

#7277S

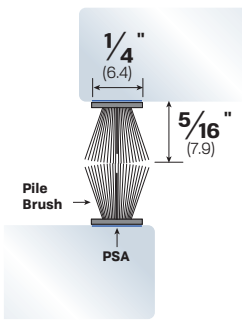


COLORS: BK, CL

#77319

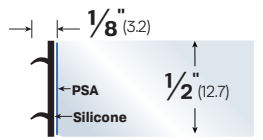


#423PB



PILE COLORS: GY, BK

#77128S

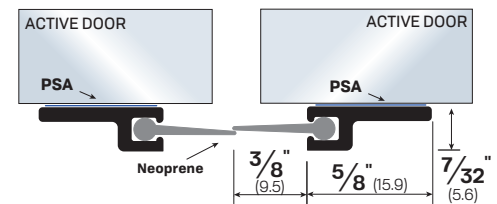


COLORS: BK, WH



Glass Door with #77128S applied.

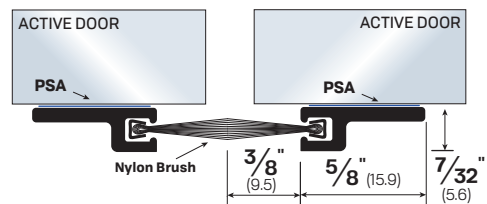
#74918-PSA



FINISHES: CA, BK, WP

LEGACY	NGP	PEMKO	ZERO
74918-PSA	115N	308CPK	8194AA

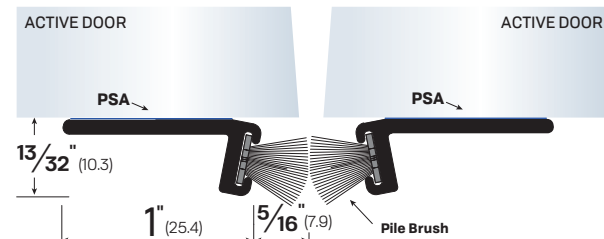
#73918-PSA



FINISHES: CA, BK, WP

LEGACY	NGP	PEMKO	ZERO
73918-PSA	A60S	18041_NB	8193AA

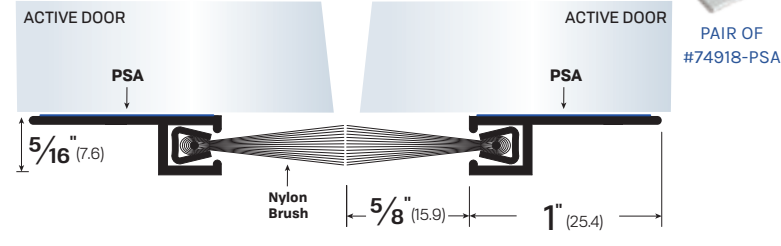
#789-PSA



FINISHES: MA, BK, WP

LEGACY	NGP	PEMKO	ZERO
789-PSA	161P	-	98A

#72918-PSA



FINISHES: CA, BK, WP

LEGACY	NGP	PEMKO	ZERO
72918-PSA	C607	18061_NB	8192AA



#423PB-GY



PAIR OF #74918-PSA

How To Order: Hinges

Example #1019CA-HD-84

Easy Ways To Order

Email
Orders@LegacyLLC.com

Phone
Local: +1 (718) 292-5333
Toll Free: +1 (888) 383-3330

PART NUMBER & FINISH - OPTIONS - LENGTH
1019 CA - HD - 84

PART #	1019	1059
	1019	1026
	1027	1027
	517LPT	10059
	115	1059
	117	1559

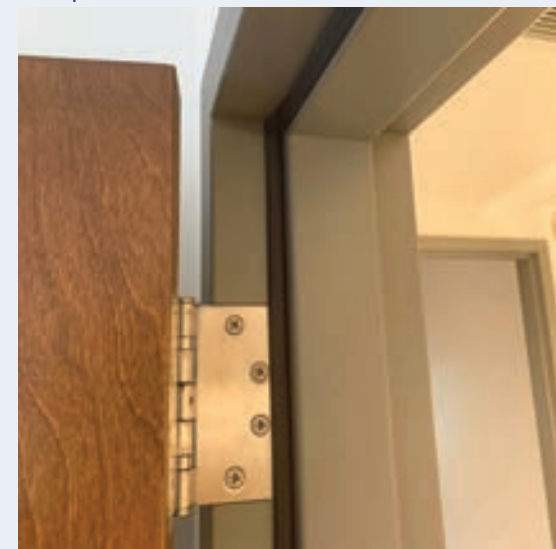
FINISH
Finishes vary by product. Please check available finishes listed for each product.
CA - Clear Anodized Aluminum
MA - Mill Aluminum
DB - Dark Bronze Anodized Aluminum
WP - White Powder Coat
SS - Stainless Steel

OPTIONS
Options vary by product. Please check available options listed for each product.
Blank - No Option
CE - Concealed Electric
EPT - Electrical Power Transfer
HD - Heavy Duty
HT - Hospital Tip
LH - Left-Handed
RH - Right-Handed
SF - Security Fasteners
ST - School Tip

LENGTH
For #1019: Please specify to nearest 1/16". For all Cam Lift and #1027, Specify each (EA).



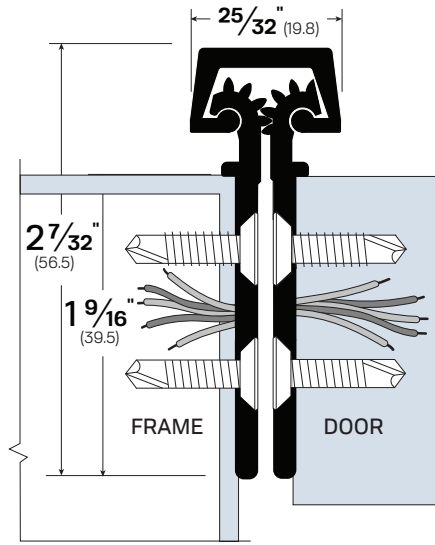
#1019CA



APPLICATION

Meeting Stiles
Astragals

#1019 FULL MORTISED CONTINUOUS HINGE



Designed for smooth, effortless door swing, our Continuous Door Hinge System integrates two extruded aluminum "geared" segments in a cover channel, with support bearings of long-wearing, self-lubricating Delrin™ which absorb shock and distribute weight evenly. The hinge rotates a full 180 degrees. Well suited for both new and retrofit construction, the tamper-proof continuous hinge performs effectively on doors up to nine feet. Constructed from heavy-gauge aluminum, both models are offered in a choice of two finishes.

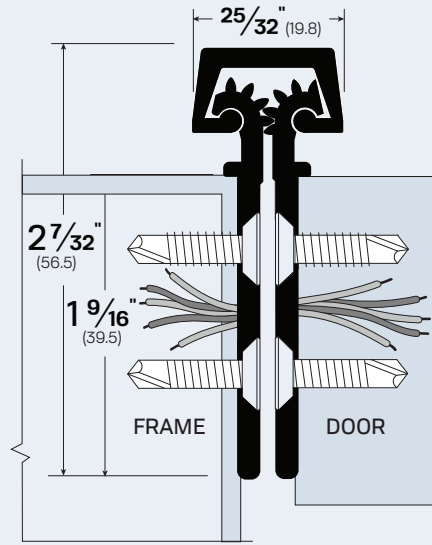
FINISHES: CA, DB
OPTIONS: HD, EPT, CE, HT, ST, SF

- NOTES:**
- Grey color
 - 16 hinges for standard hinge (approx. double for HD option -- see p.94)
 - Door/ frame reinforcements are not required in most applications
 - 3/16" clearance on square edge door, 3/8" clearance on beveled door



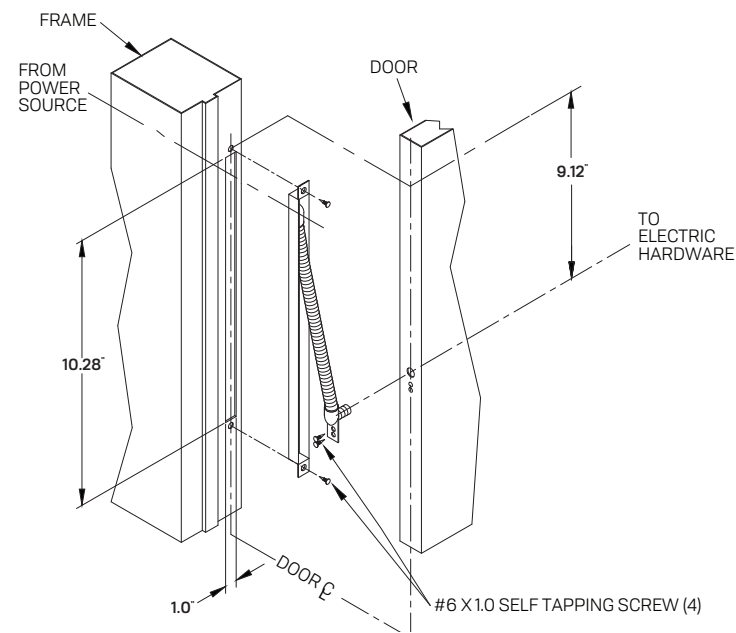
LEGACY	NGP	PEMKO	ZERO
1019	HD1100	FMSLE-HD1	-

#1027 ELECTRIFIED HINGE



- FINISHES:** CA, DB
- NOTES:**
- Power Transfer Technology
 - 26-gauge
 - 6 wire standard, 8 wire optional
 - Tamper-resistant
 - Weather-resistant
 - 14" Long

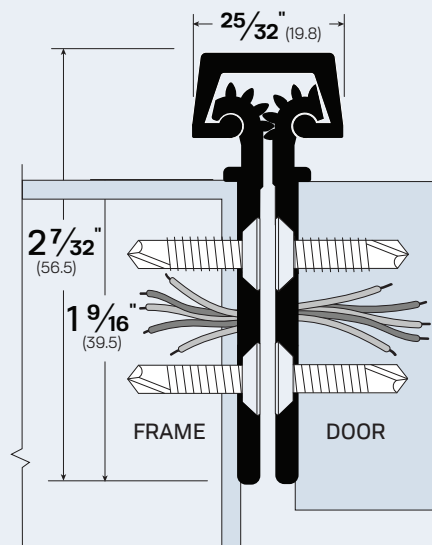
#517LPT LEGACY POWER TRANSFER



- NOTES:**
- Nickel - Plated Steel Case - Flex Conduit 3/8" OD X 3/8" ID X 15-3/8" LONG
 - Electrical wire not provided

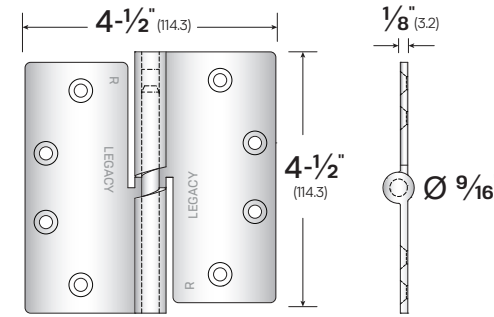


#1026 ELECTRIFIED MINI HINGE



- FINISHES:** CA, DB
- NOTES:**
- Power Transfer Technology
 - 26-gauge
 - 6 wire standard, 8 wire optional
 - Tamper-resistant
 - Weather-resistant
 - 1.5" Long

#1559



- FINISHES:**
SS - Stainless Steel
- OPTIONS:**
RH - Right-Handed LH - Left-Handed

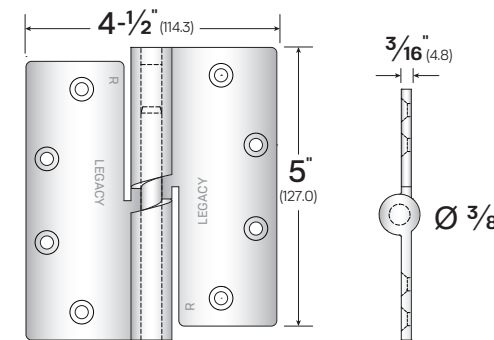
- NOTES:**
- Example Order: #1559SS-RH
 - Door Rating (1-1/2 pairs): Up to 200 lbs.
 - Screw Size (Metal Doors): 12-24 x 3/4"
 - Lift (180° opening): 3/16"
 - Includes all machine screws (24), and 1/2 wood screws (12)
 - All hinges are ANSI template

LEGACY	NGP	PEMKO	ZERO
1559	-	-	Z955



Designed for sound-rated and other heavy doors up to 900 pounds. Manufactured from high precision stainless steel casting, the cam lift hinge provides a smooth 1/2 inch drop over a rotation of 180 degrees for superior sealing performance. Available for right or left-hand swinging doors. Sold in pairs. Please refer to each individual part for rating details.

#1359

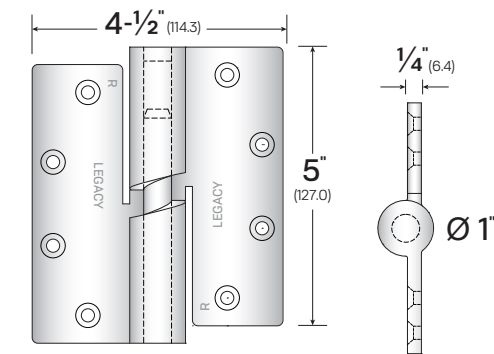


- FINISHES:**
SS - Stainless Steel
- OPTIONS:**
RH - Right-Handed LH - Left-Handed

- NOTES:**
- Example Order: #1359MB-RH
 - Door Rating (1-1/2 pairs): Up to 300 lbs.
 - Screw Size (Metal Doors): 12-24 x 3/4"
 - Lift (180° opening): 1/4"
 - Includes all machine screws (24), and 1/2 wood screws (12)
 - All hinges are ANSI template

LEGACY	NGP	PEMKO	ZERO
1359	-	-	Z953

#1059



- FINISHES:**
SS - Stainless Steel
- OPTIONS:**
RH - Right-Handed LH - Left-Handed

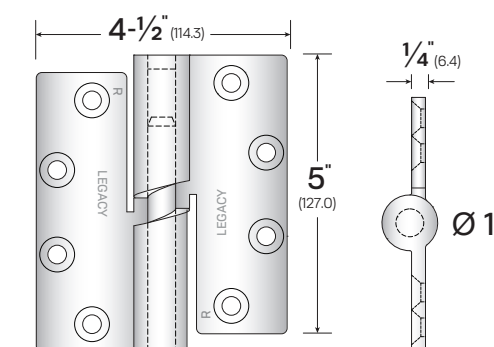
- NOTES:**
- Example Order: #1059SS-LH
 - Door Rating (1-1/2 pairs): Up to 500 lbs.
 - Screw Size (Metal Doors): 12-24 x 3/4"
 - Lift (180° opening): 5/16"
 - Includes all machine screws (24), and 1/2 wood screws (12)
 - All hinges are ANSI template

LEGACY	NGP	PEMKO	ZERO
1059	-	-	Z950



LEGACY HINGES

#10059

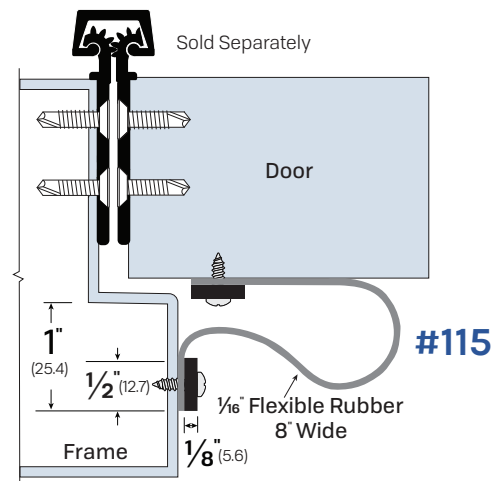


- FINISHES:**
SS - Stainless Steel
- OPTIONS:**
RH - Right-Handed LH - Left-Handed

- NOTES:**
- Example Order: #10059SS-LH
 - Door Rating (1-1/2 pairs): Up to 900 lbs.
 - Screw Size (Metal Doors): 5/16"-18 x 3/4"
 - Lift (180° opening): 5/16"
 - Includes all machine screws (24), and 1/2 wood screws (12)
 - All hinges are ANSI template

LEGACY	NGP	PEMKO	ZERO
10059	-	-	Z9500

#1019



#115

FINISHES: MA, MB, WP

NOTES: N (Solid Neoprene) is black.

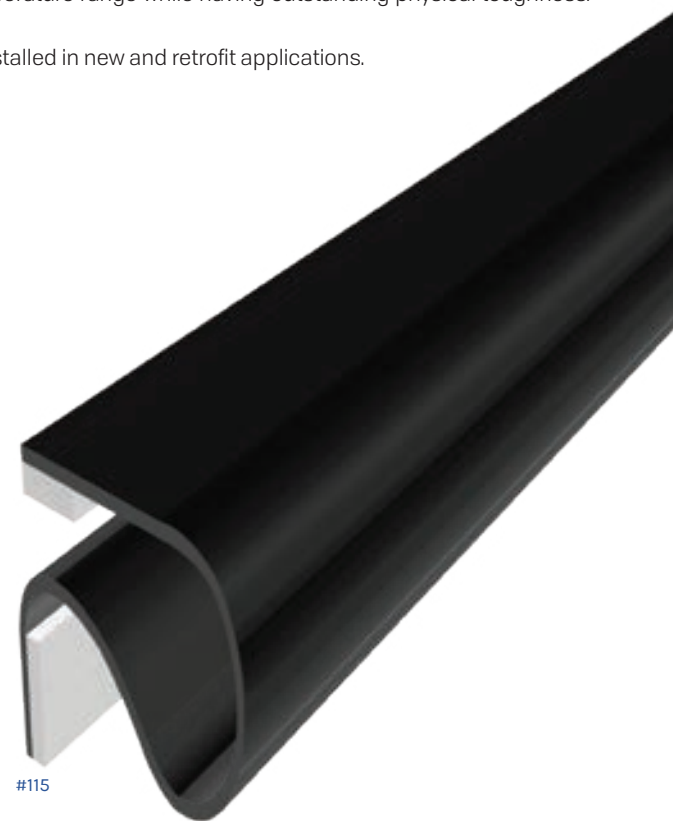
LEGACY	NGP	PEMKO	ZERO
115	-	-	51



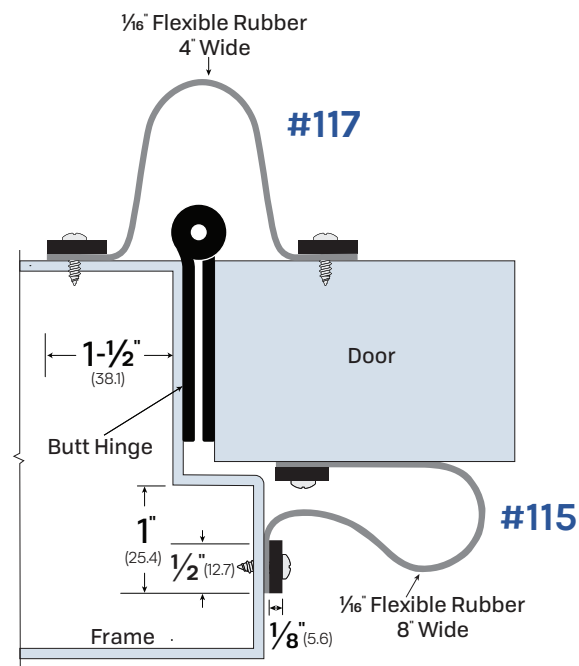
The flexible rubber sheathing in these product protects fingers and hands from being crunched in applications such as schools, child care centers, workplaces and other high-traffic commercial installations. Solid rubber on this product is designed to be durable and to be easily cleaned.

Neoprene rubber resists degradation from sun, ozone and weather while maintaining its strength, flexing, twisting and elongation very well over a wide temperature range while having outstanding physical toughness.

Can be installed in new and retrofit applications.



#115



#117

FINISHES: MA, MB, WP

NOTES: N (Solid Neoprene) is black.

LEGACY	NGP	PEMKO	ZERO
117	-	-	951

How To Order: **Accurate Weatherstripping**

Example #3CHBR-84

Easy Ways To Order

Email
Orders@LegacyLLC.com

Phone
Local: +1 (718) 292-5333
Toll Free: +1 (888) 383-3330

PART NUMBER & FINISH - OPTIONS - LENGTH
3CH BR - PSA - 84

PART #	DESCRIPTION
1	8
2	8C
2C	21
2CH	B180
3	S180
3C	B181
3CH	S181
4C	B182
4CH	S182
5CH	416C
6	732
7	
7S	
7Z	

MATERIAL

Finishes vary by product. Please check available finishes listed for each product.

BR - Bronze
SS - Stainless Steel
ZN - Zinc
CU - Copper

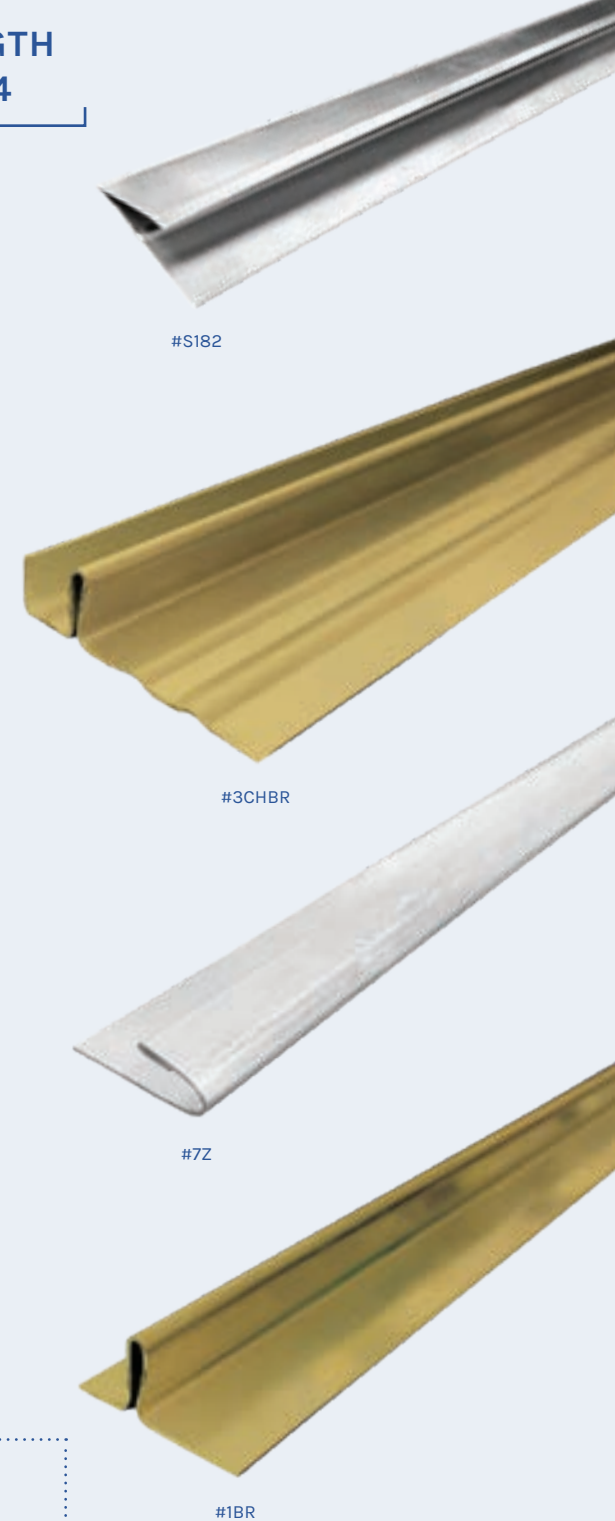
OPTIONS

Options vary by product. Please check available options listed for each product.

Blank - Standard Fasteners supplied
PSA - Pressure Sensitive Adhesive

LENGTH

Please specify to nearest 1/2"



#S182

#3CHBR

#7Z

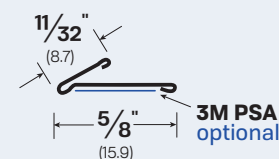
#1BR

Specialty Hinges



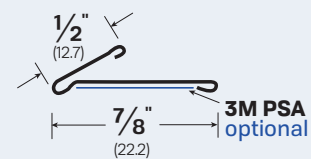
Hinge Door Springs

#B180 | #S180



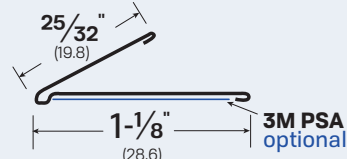
Hinge Door Spring
MATERIALS: BR, SS
OPTIONS: PSA

#B181 | #S181



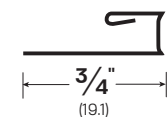
Hinge Door Spring
MATERIALS: BR, SS
OPTIONS: PSA

#B182 | #S182



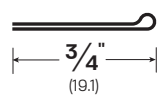
Hinge Door Spring
MATERIALS: BR, SS
OPTIONS: PSA

#7S



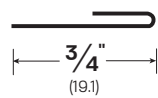
Meeting Rail Hook
MATERIALS: ZN

#8



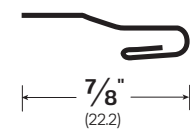
Meeting Rail Flat
MATERIALS: BR, ZN

#8C



Meeting Rail Flat
MATERIALS: BR, ZN

#21



Interlocking Threshold Hook
OPTIONS: BR, ZN

#416C

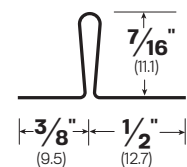


Copper Plated Flat Head Nails
7/8" #16
MATERIALS: BR, ZN, CU



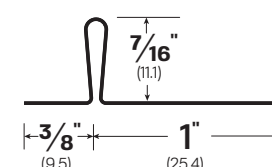
Our Legacy is Quality & Performance.
Our Focus is Customer Service

#1



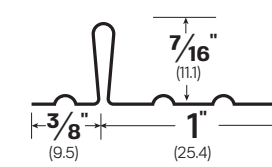
Plain Rib Strip 1" Base
MATERIALS: BR, ZN

#2



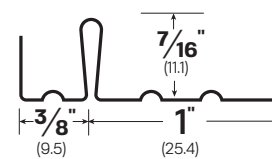
Plain Rib Strip 1-3/8" Base
MATERIALS: BR, ZN

#2C



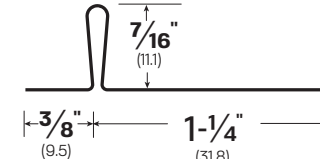
Side Strip 1-3/8" Base
MATERIALS: BR, ZN

#2CH



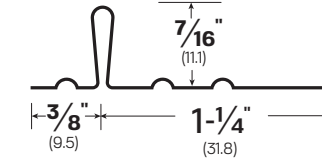
Side Strip 1-3/8" Base
MATERIALS: BR, ZN

#3



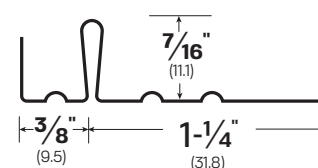
Plain Rib Strip 1-5/8" Base
MATERIALS: ZN

#3C



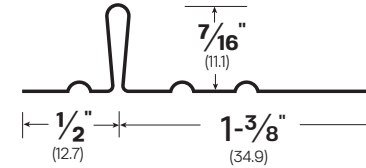
Plain Rib Strip 1-5/8" Base
MATERIALS: BR, ZN

#3CH



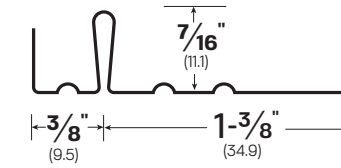
Side Strip 1-5/8" Base
MATERIALS: BR, ZN

#4C



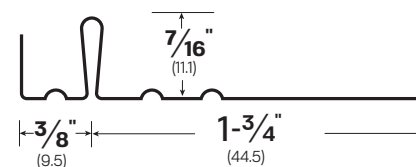
Plain Rib Strip 1-7/8" Base
MATERIALS: BR

#4CH



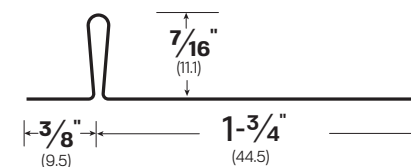
Plain Rib Strip 1-3/4" Base
MATERIALS: BR, ZN

#5CH



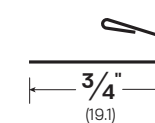
Side Strip 2-1/8" Base
MATERIALS: BR, ZN

#6

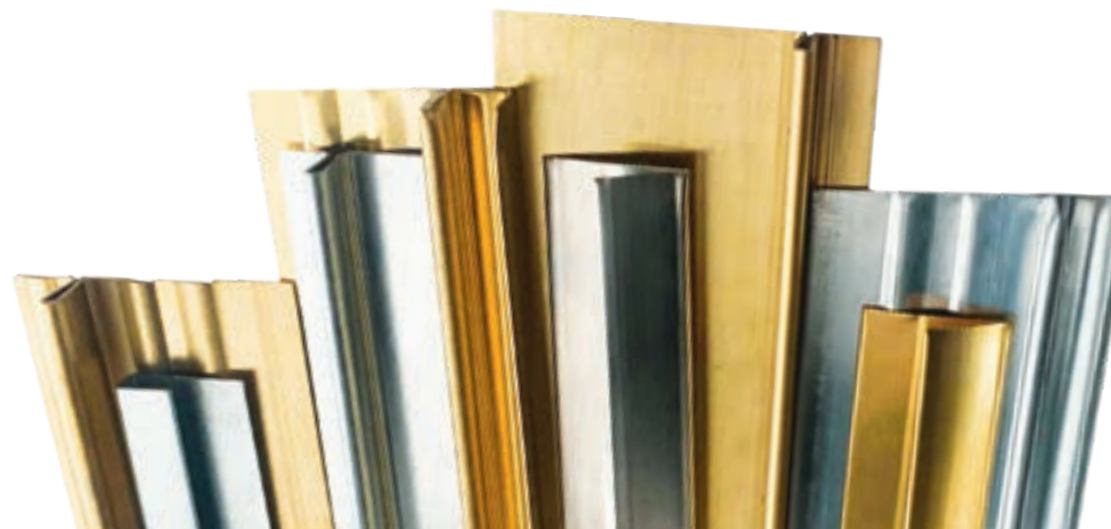


Plain Rib Strip 2-1/8" Base
MATERIALS: BR, ZN

#7



Meeting Rail Hook
MATERIALS: BR, ZN



Specialty Hinges

Specialty Hinges

Flood Barriers

... protect openings and help safeguard building contents from floodwaters

Building on years of experience providing vital flood zone protection for doorways, Legacy now offers reliable, cost-effective flood barrier systems for virtually every building opening exposed to potential high-water flooding. Installing Legacy flood barriers can help satisfy National Flood Insurance Program (NFIP) requirements for coverage in designated flood zones, along with providing invaluable peace of mind to building owners hoping to minimize flood damages.

Legacy flood barrier panels are engineered for easy installation into pre-mounted aluminum brackets attached to frames or adjacent walls. When high water threatens, simply drop the barrier panel into the mounting channels and hand tighten the screw. Panels can be removed just as easily for storage when not in use. Closed cell sponge neoprene lines the bottom and sides of openings to ensure a watertight seal, as well as compensate for any gaps at door thresholds. These seals feature an innovative "three-finger" rubber profile for improved compression and better seals compared with conventional U-channel design.

Constructed from marine-grade aluminum, the removable flood barrier panels can be built to any specified height and are also stackable using watertight bar clamps. Milled Easy-Lift handles are another recent design enhancement. Interlocking posts, including outer sleeves for ground support, are supplied for specified opening widths greater than 48 inches, which translates to virtually no practical limit on the width of protected openings or spans.

Suitable for both residential and commercial applications, Legacy flood barriers comply with standards of the Federal Emergency Management Agency (FEMA) and Federal Insurance Administration (FIA) for use on doors in flood-prone areas. They are also ideal for houses with adjacent wetlands or in high-rainfall areas.



Specify Legacy Flood Barriers for:

- Entranceways and garage doors
- Sub-level and standard windows
- Exterior louvers or fireplaces
- Power-supply enclosures

LEGACY	5127	5027	5128	5129
NGP	FS	FS	-	-
PEMKO	-	-	-	-
ZERO	-	2070A	-	-



Product Specifications

Panel	5052 marine aluminum alloy
Frames	Channel 6062 alloy T5-T6, with 10-32 stainless steel Allen head tightening screws every 8" on center.
Seal	Solid Neoprene Seal
Hardware	#10 x 1-1/2" FHPH with plastic expansion tube anchors. Snap covers for safety provided for the top of the channels and for the mounting holes.
Installation	Can be installed on hollow metal, aluminum or wood frames; and on concrete, brick or metal surfaces.
Floor Surface	We recommend our #319 Threshold (1/4" x 2" beveled aluminum plate)



How To Order: Flood Barriers

Example #5027MA-30X60

Easy Ways To Order

Email
Orders@LegacyLLC.com

Phone
Local: +1 (718) 292-5333
Toll Free: +1 (888) 383-3330

PART NUMBER & FINISH - HEIGHT - WIDTH
5027 - MA - 30 - 60

PART #	5127	5128
2275	5127	
5021	5125	
5027	5128	
5028	5129	
5029	22070CH	
5121	22070-OS	

FINISH
All Flood Shields are 5052 marine aluminum alloy. Finishes are available for mounting brackets only.
MA - Mill Aluminum

HEIGHT
Flood barrier panels can be built to any custom height, subject only to practical constraints on the ease of fitting into and removing from mounting brackets. Specify to nearest 1". Panels specified for stacking are supplied with connecting aluminum Bar Clamps.

WIDTH
Flood barriers can be built to any custom width or span. Specify to nearest 1/8". Interlocking posts with ground support are required and supplied for every 48" of installed flood barrier. Tableau ± 1/8"

Ordering Note

Because of the range of available options and the precision needed for efficient installations, Flood Barriers are typically specified in consultation with our Engineering Department.

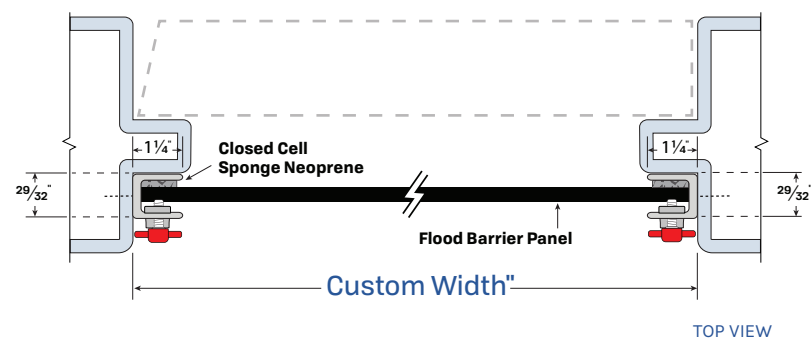
Call our engineering department to discuss.

LEGACY ENGINEERING
Local: +1 (718) 292-5333
Toll Free: +1 (888) 383-3330



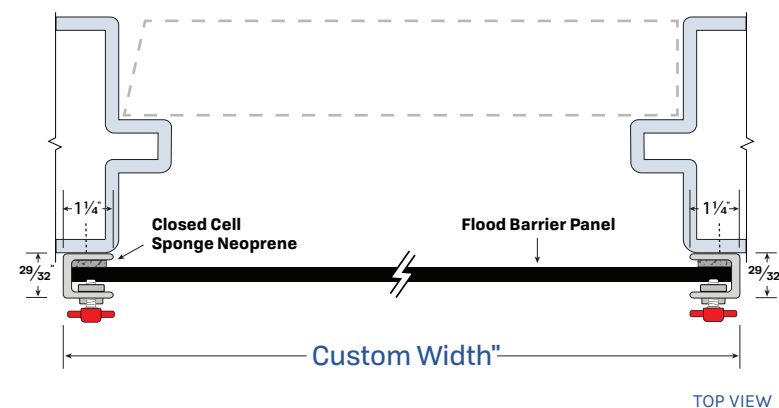
Single Flood Barrier for Standard Openings (Up to 48")

#5027 MOUNTED TO INSIDE OF FRAME

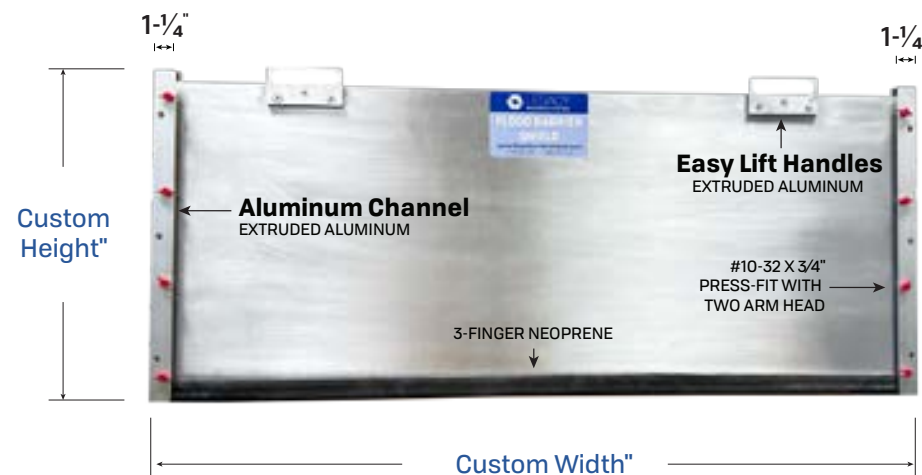


#5027MA mounted to the inside of the door frame.

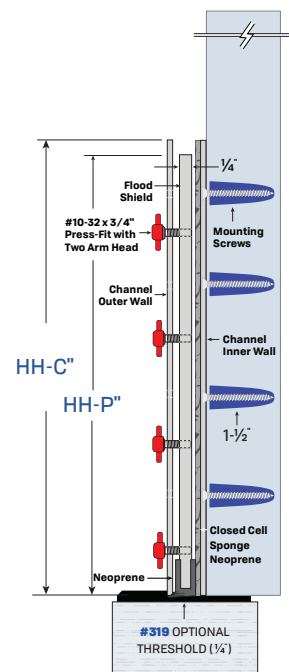
#5127 MOUNTED TO OUTSIDE OF FRAME



#5127MA mounted to the outside of the door frame.



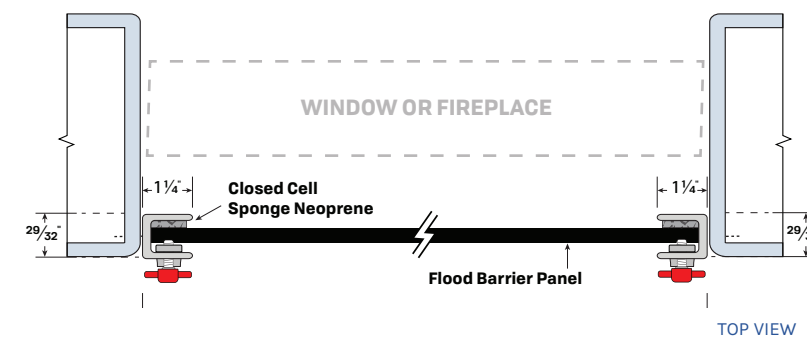
FRONTVIEW



SIDE VIEW

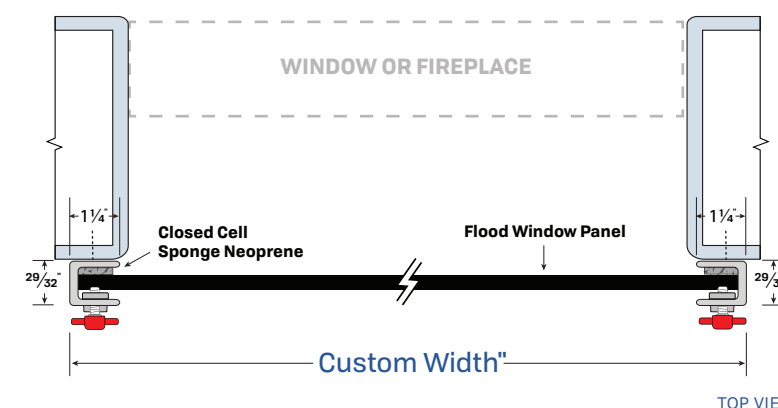
Single Flood Barrier for Windows, Louvers & Fireplaces (Up to 48")

#5028 MOUNTED TO INSIDE OF FRAME



#5128MA mounted to a basement window.

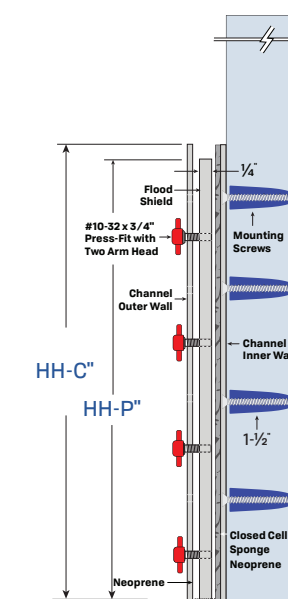
#5128 MOUNTED TO OUTSIDE OF FRAME



#5128MA mounted to a fireplace.



FRONTVIEW



SIDE VIEW

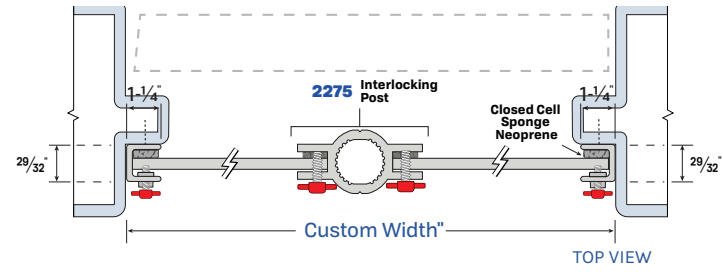
#5028MA30-36

Flood Barriers

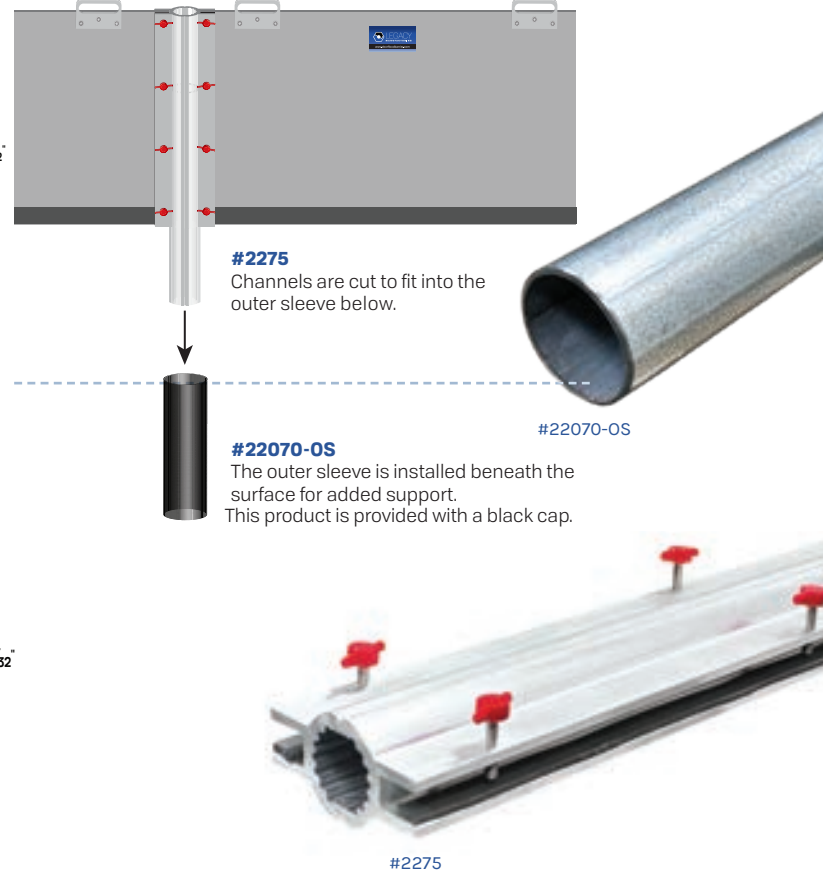
Flood Barriers

Interlocking Flood Barrier for Oversized Openings (Greater than 48")

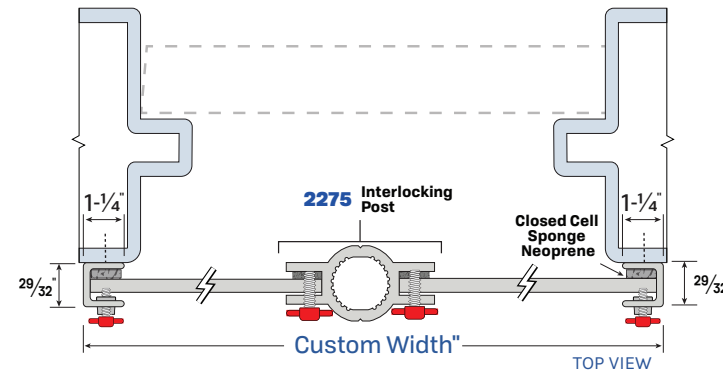
#5029 MOUNTED TO INSIDE OF FRAME



#2275 INTERLOCKING POST WITH GROUND SUPPORT

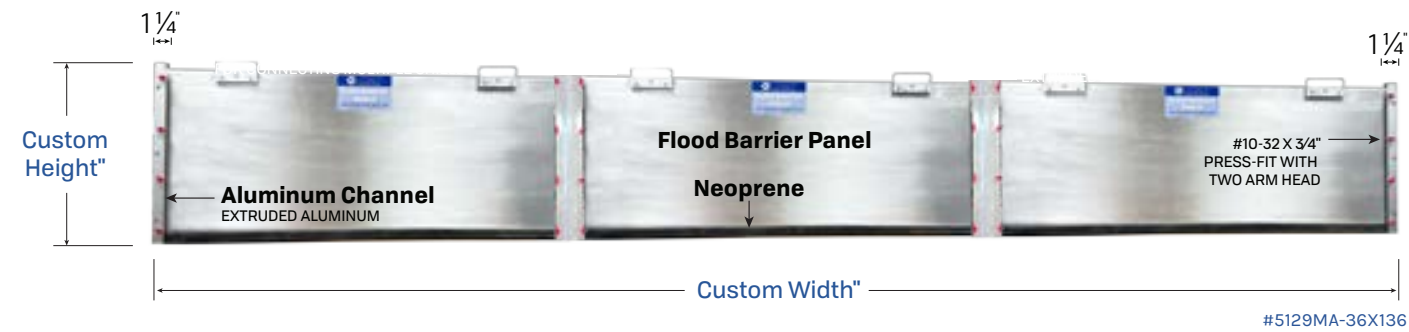


#5129 MOUNTED TO OUTSIDE OF FRAME



Recommended for every 48" of specified installed width:

- #2275 Interlocking Post with
- #22070-OS Outer Sleeve



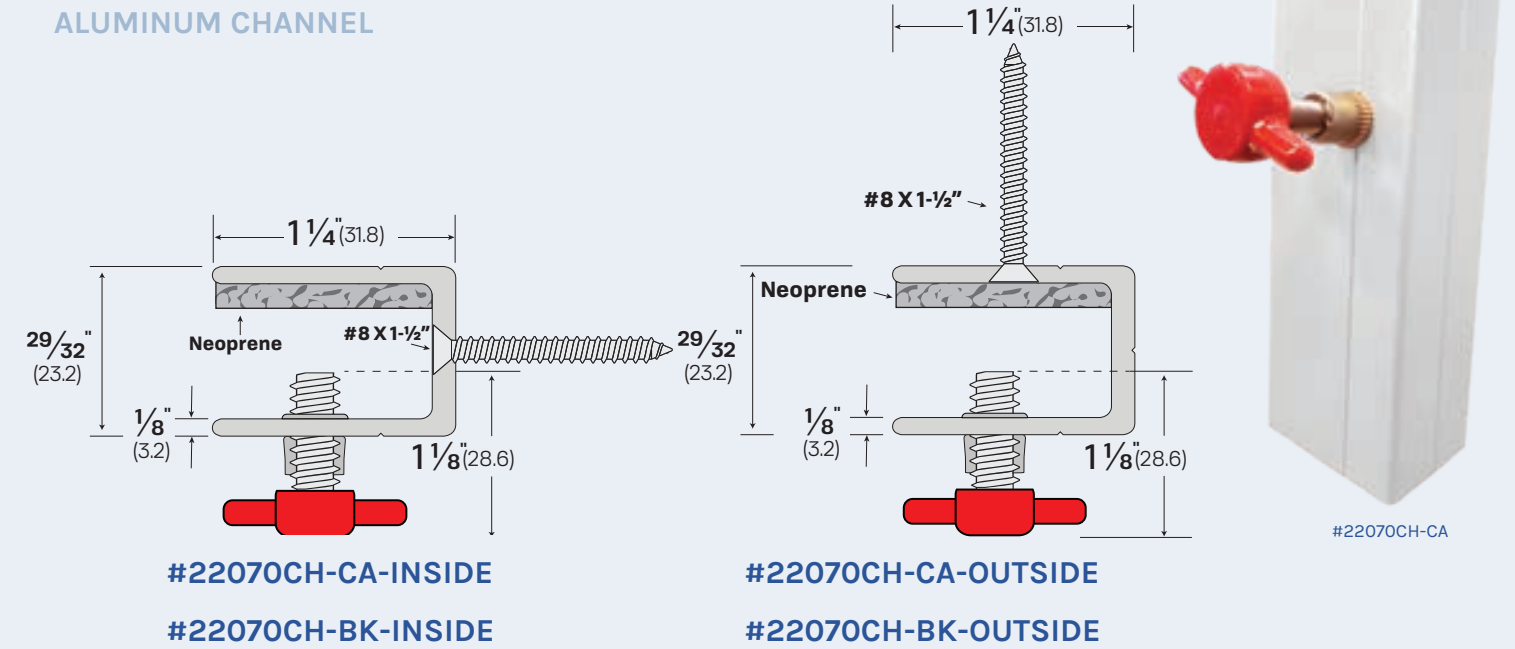
#5129MA mounted to front of hotel entrance.



#5129MA mounted to the inside of garage door frame.

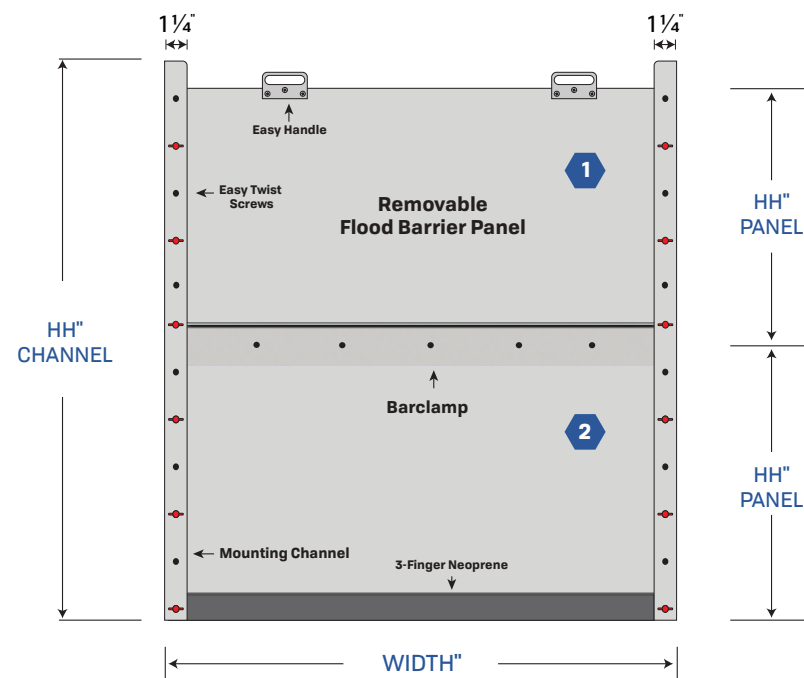
Flood Barrier (Individual Components)

ALUMINUM CHANNEL



FINISHES: CA, BK

#5021 STACKABLE FLOOD BARRIER



• Call us to discuss your best configuration for your specific installation.

FINISHES: MA

Flood Barriers

Flood Barriers

Acoustical Systems

Experience and precision engineering are paramount in designing high-performance acoustical door assemblies, and nobody scores higher than Legacy on both counts. We extend that expertise to sound door manufacturers interested in collaborating to achieve industry-leading results.

Legacy's OEM program assists manufacturers in designing and building acoustical doors to achieve specific STC ratings. There are three distinct, integrated components to the services we provide:

- Advice on design and construction for your STC-rated doors,
- Consultation on integrating best-value sound-control gasketing to optimize costs and performance, and
- Collaborating on testing the assembly in the lab to achieve published STC ratings.

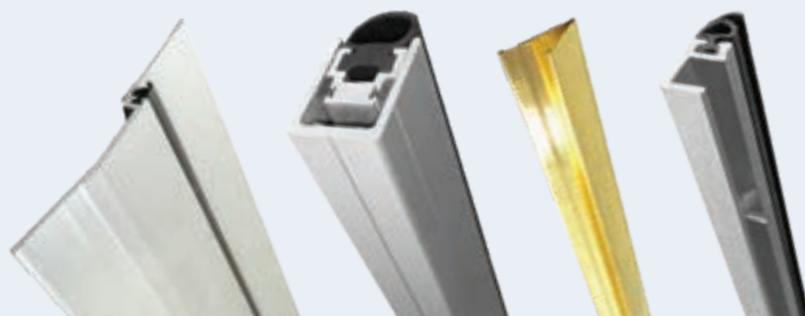
The first step is understanding your goals and the resources we can provide to help. Call our engineering department to discuss.

LEGACY ENGINEERING

Local: +1 (718) 292-5333
Toll Free: +1 (888) 383-3330

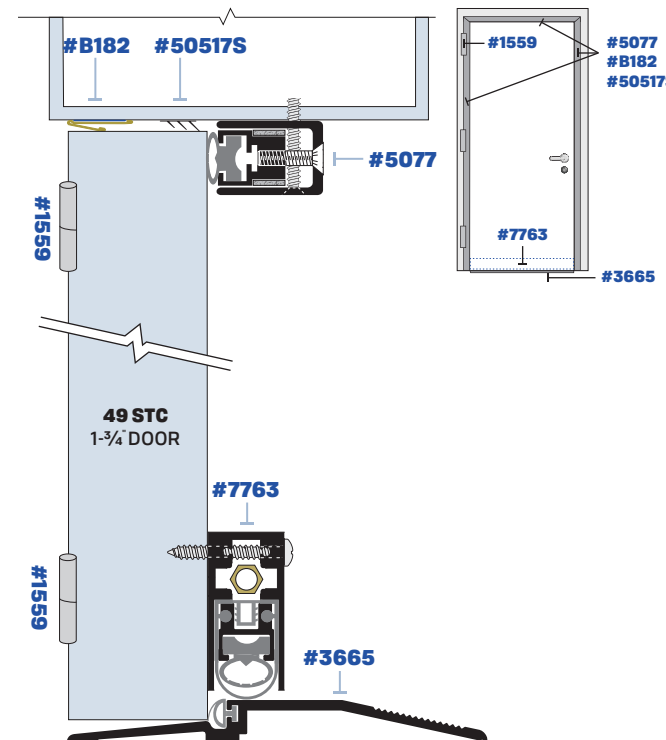
System	Head & Jamb	Door Bottom	Threshold	Door Rating	STC Rating
6049STC	5077, B182, 5881S	7763	3465	50	49
6148STC	5077, B182, 50517S	7763	3665	49	48
6048STC	5077, B182, 5881S, 52408S	7763	3465	50	48
6047STC	5077, B182	7763	3665	49	47
6046STC	5077, 50517S	7763	3665	49	46
6042STC	5077	7763	-	50	42
6142STC	5574	-	3465	50	42
6037STC	5584, 50519S	7553	3465	37	37
6136STC	5584, 5883S	7553, 793	3465	37	36
6236STC	50519S	7153	-	37	36

This representative list shows published STC results for acoustical door assemblies and configurations designed and tested through collaborations between Legacy and OEM partners.



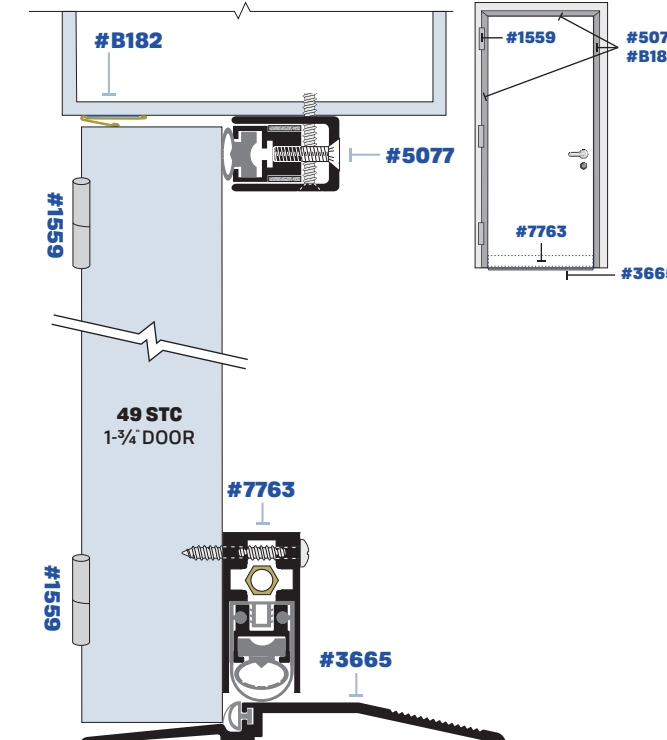
#6148STC

48 STC



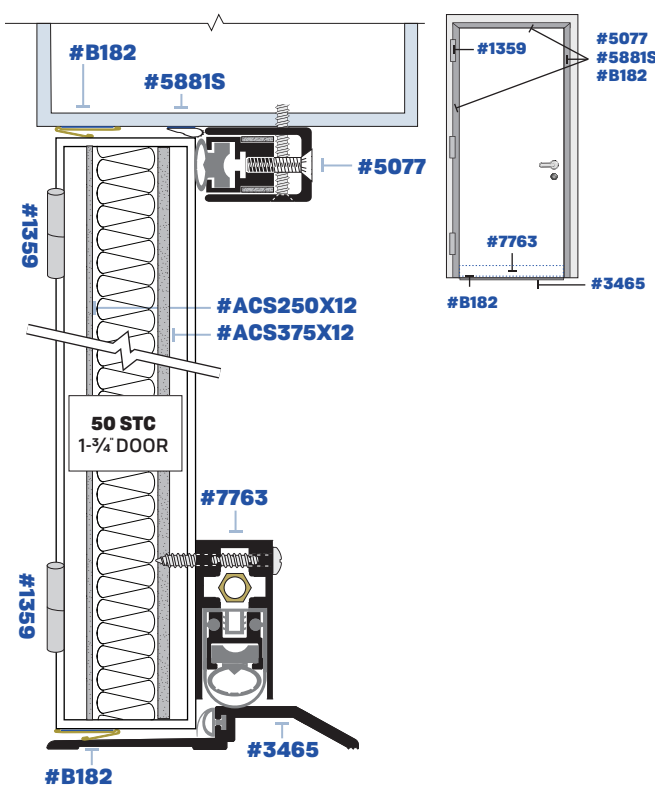
#6047STC

47 STC



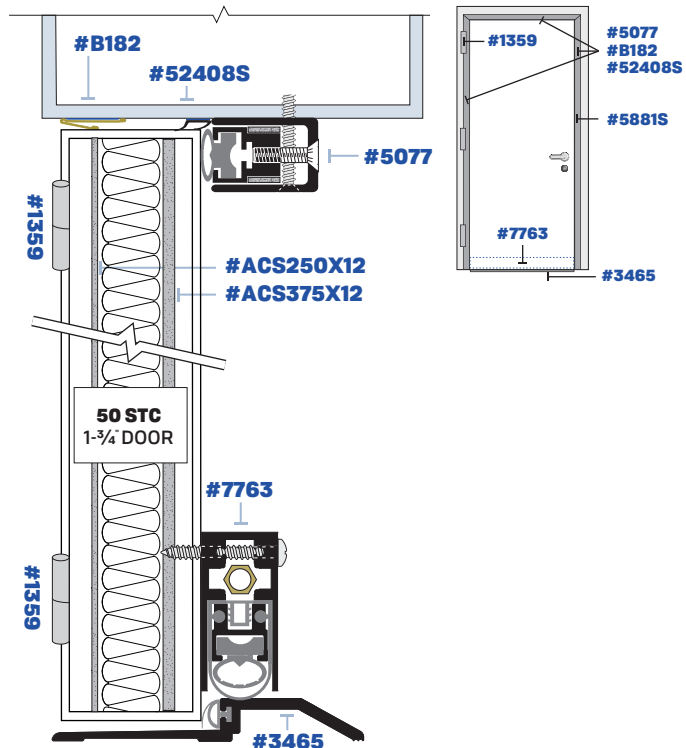
#6049STC

49 STC



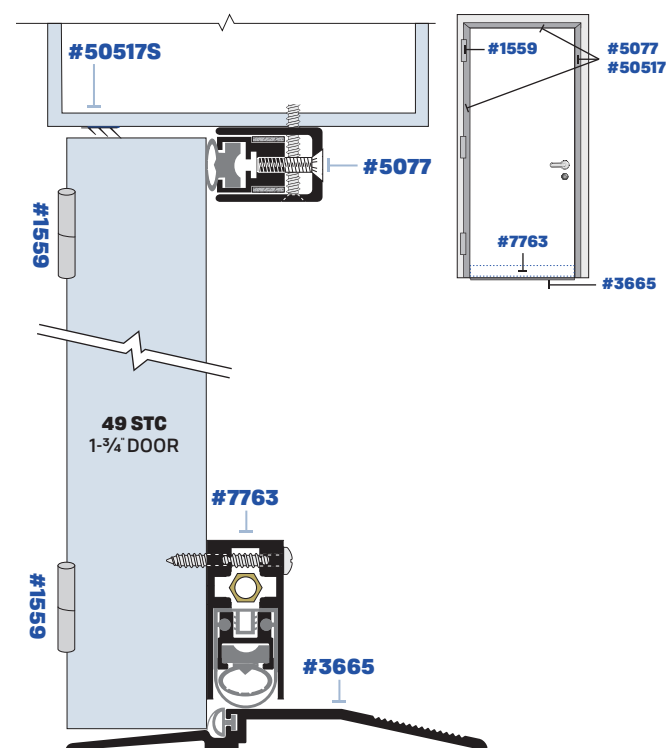
#6048STC

48 STC



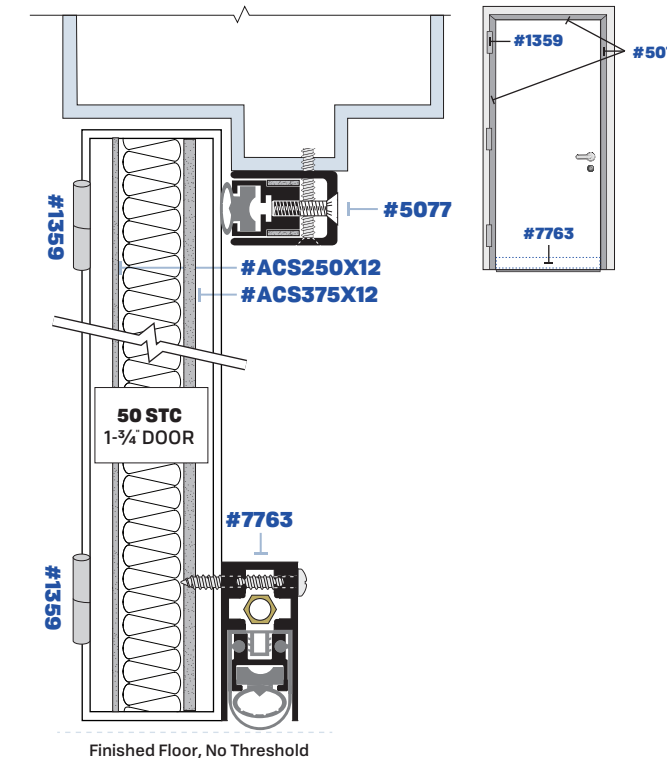
#6046STC

46 STC

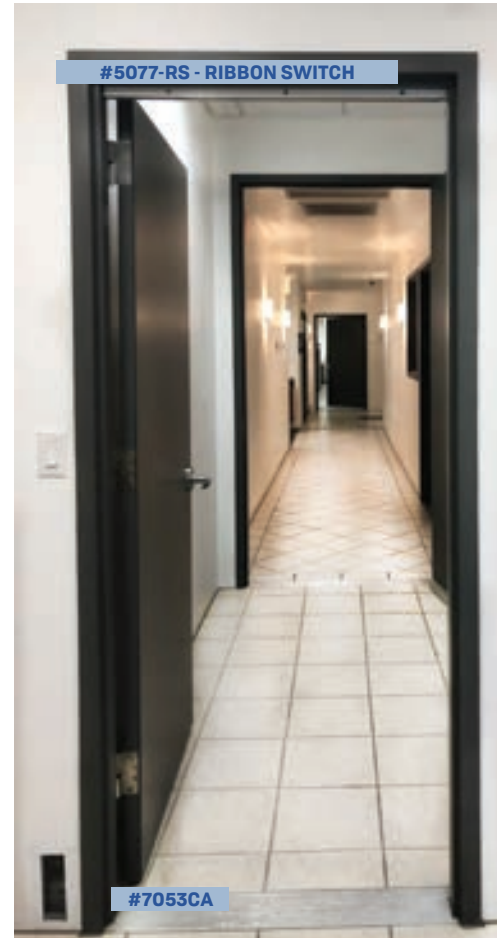
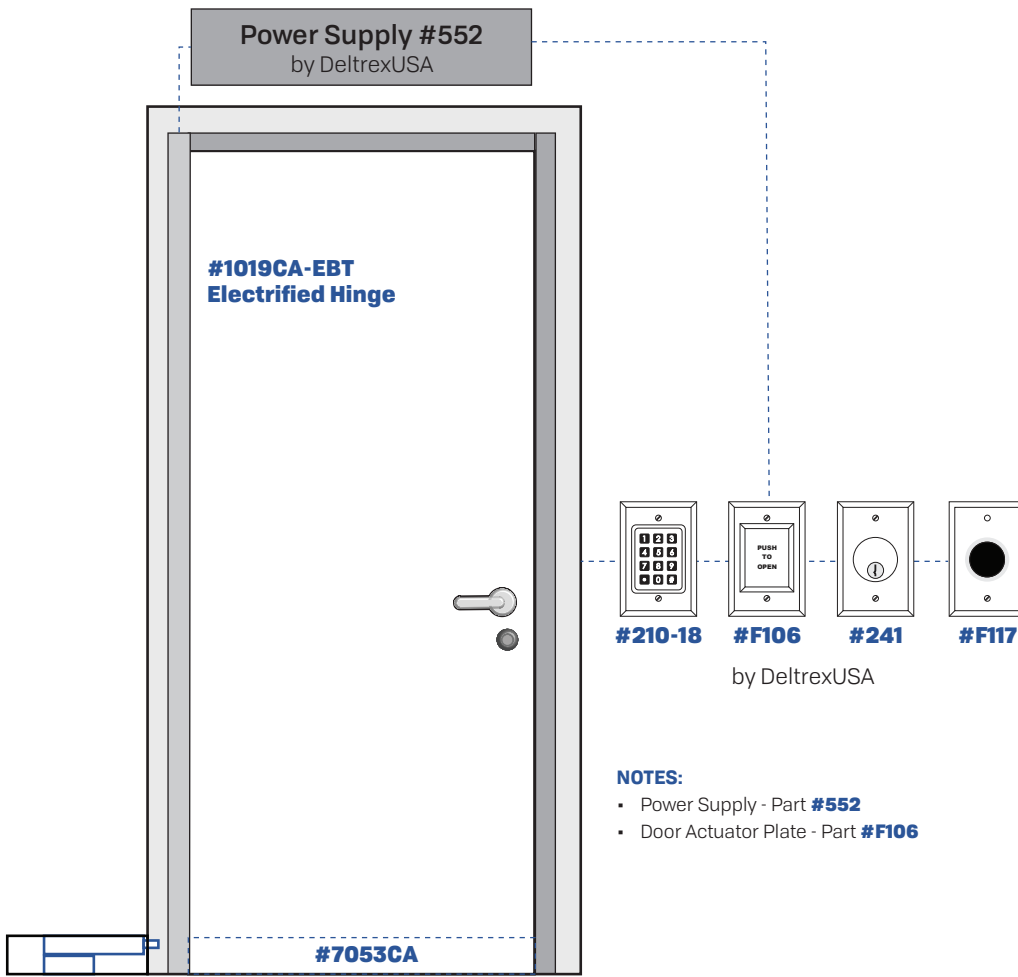


#6042STC

42 STC



#64EA AUTOMATIC DOOR BOTTOM ON STAND-BY



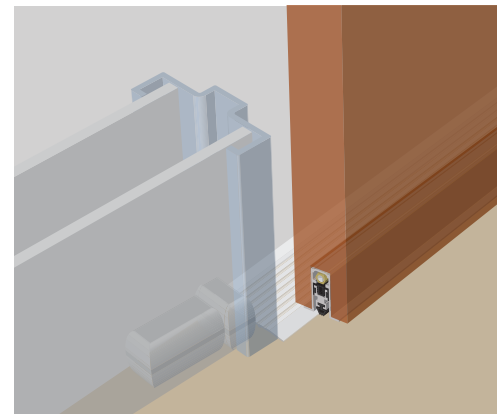
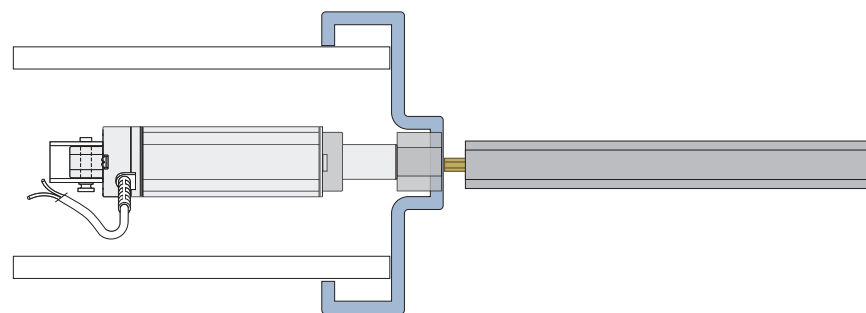
#64 - ADB ON STANDBY

Electrified door bottoms provide a practical solution for doorways to areas that need regular air flow but also require the door to seal during emergencies, such as a fire. Using a switch or push plate provided by Deltrex USA, the door bottom can be activated during such situations to provide a complete, airtight seal.



PIVOT DOOR APPLICATIONS

TOP DOWN VIEW



Nitrile for Clean Rooms

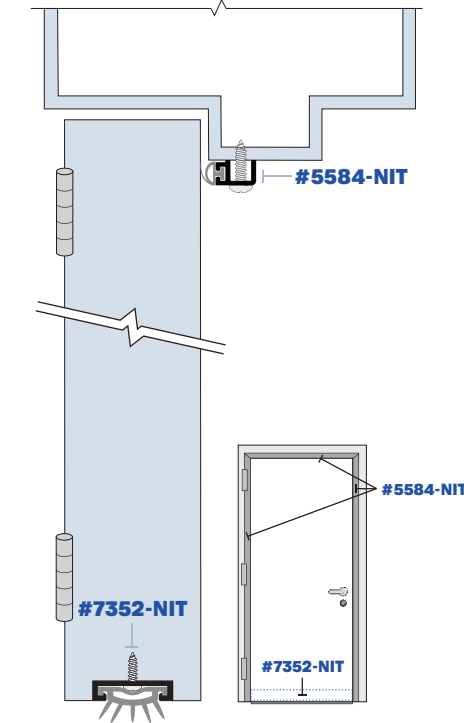
Nitrile rubber is a versatile addition to Legacy's arsenal of formulations for practical sealing solutions. Among its many benefits, nitrile rubber provides good compression set and tensile strength, and is resistant to heat, abrasion and moisture. Its resistance to gas permeability also makes it corrosion-resistant to a long list of chemicals.

Specifying nitrile rubber components can be useful for protecting sealing systems from extreme exposures to corrosive chemicals in medical and industrial applications.

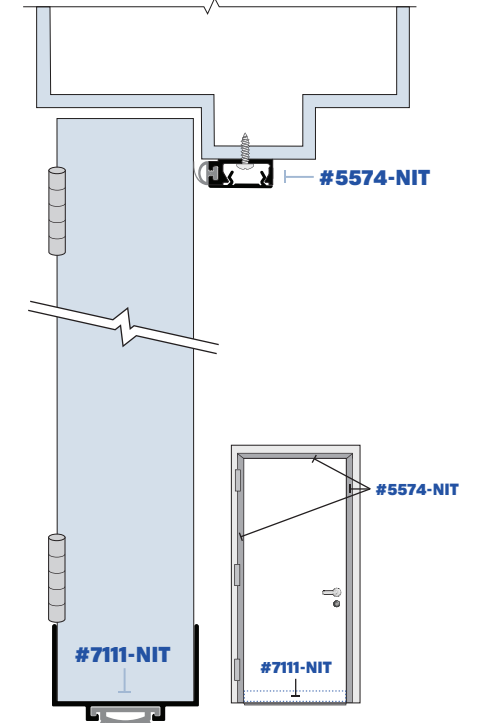
Specify NIT option to order nitrile rubber for these components.

#5574-NIT	Head & Jamb
#5584-NIT	Head & Jamb
#7352-NIT	Door Sweep
#7351-NIT	Door Sweep
#7111-NIT	Door Sweep

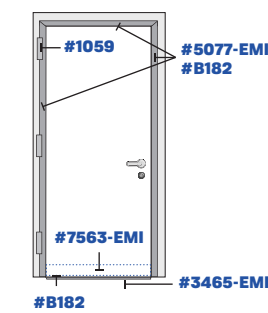
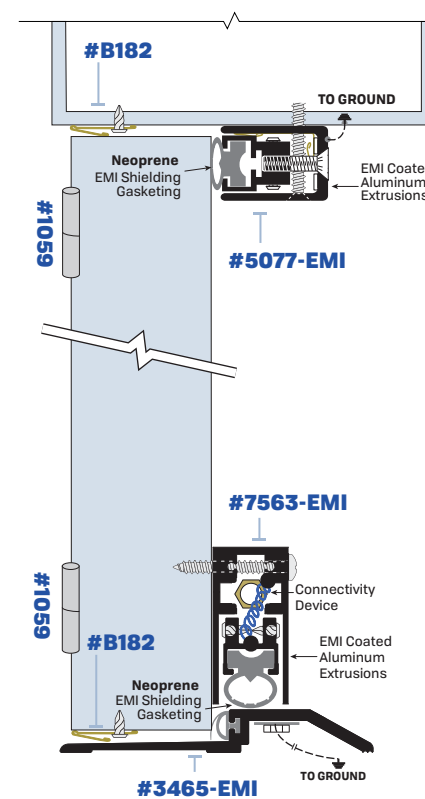
#6050NIT



#6051NIT



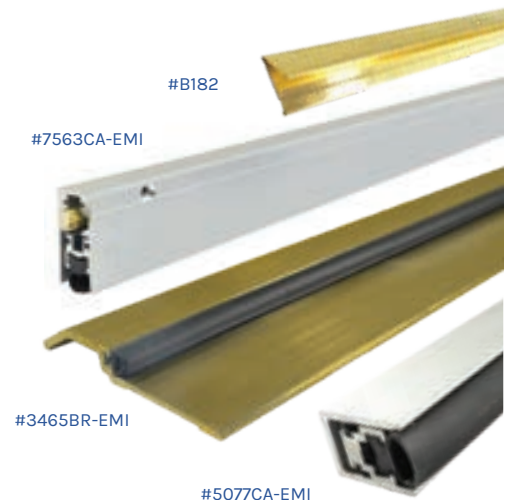
#6090EMI EMI/RFI SEALING SYSTEMS



#5077-EMI	Head & Jamb
#B182	Head & Jamb and Bottom of Door
#1059	Cam Lift Hinge
#7563-EMI	Door Bottom
#3465-EMI	Grounded Bronze Threshold

System #6090EMI is one solution available from Legacy for blocking electromagnetic and radio frequency interference in applications such as laboratories, hospitals, brokerage houses, embassies and other facilities using sensitive electronic equipment. We can provide specification assistance for configuring other systems for specific applications. Legacy also offers OEM consultation for developing similar systems.

The technology common to these systems provides uninterrupted electrical current to block EMI/RFI transmission. An iridate coating on the aluminum housings in Legacy EMI/RFI systems ensures maximum conductivity around the door gasketing, while solid carbon-filled neoprene rubber gaskets complete the electrical circuit. The #6090EMI system has adjustable features to help ensure a tight seal.

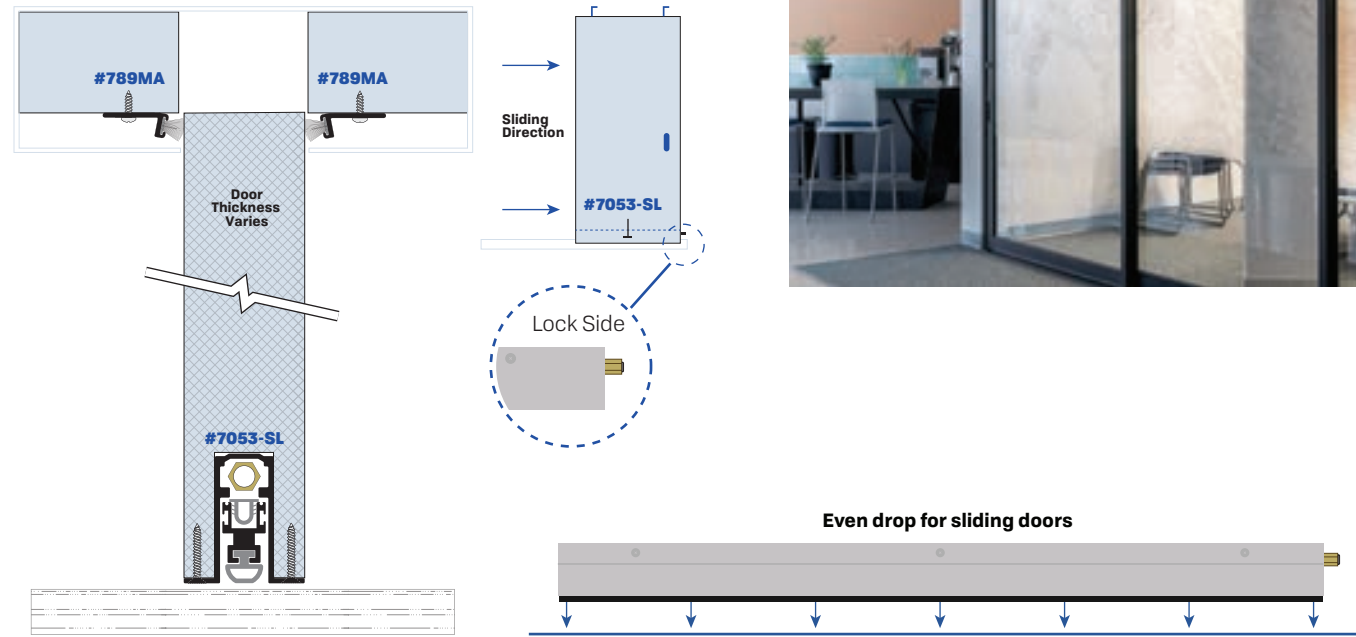


Specialty Solutions

Specialty Solutions

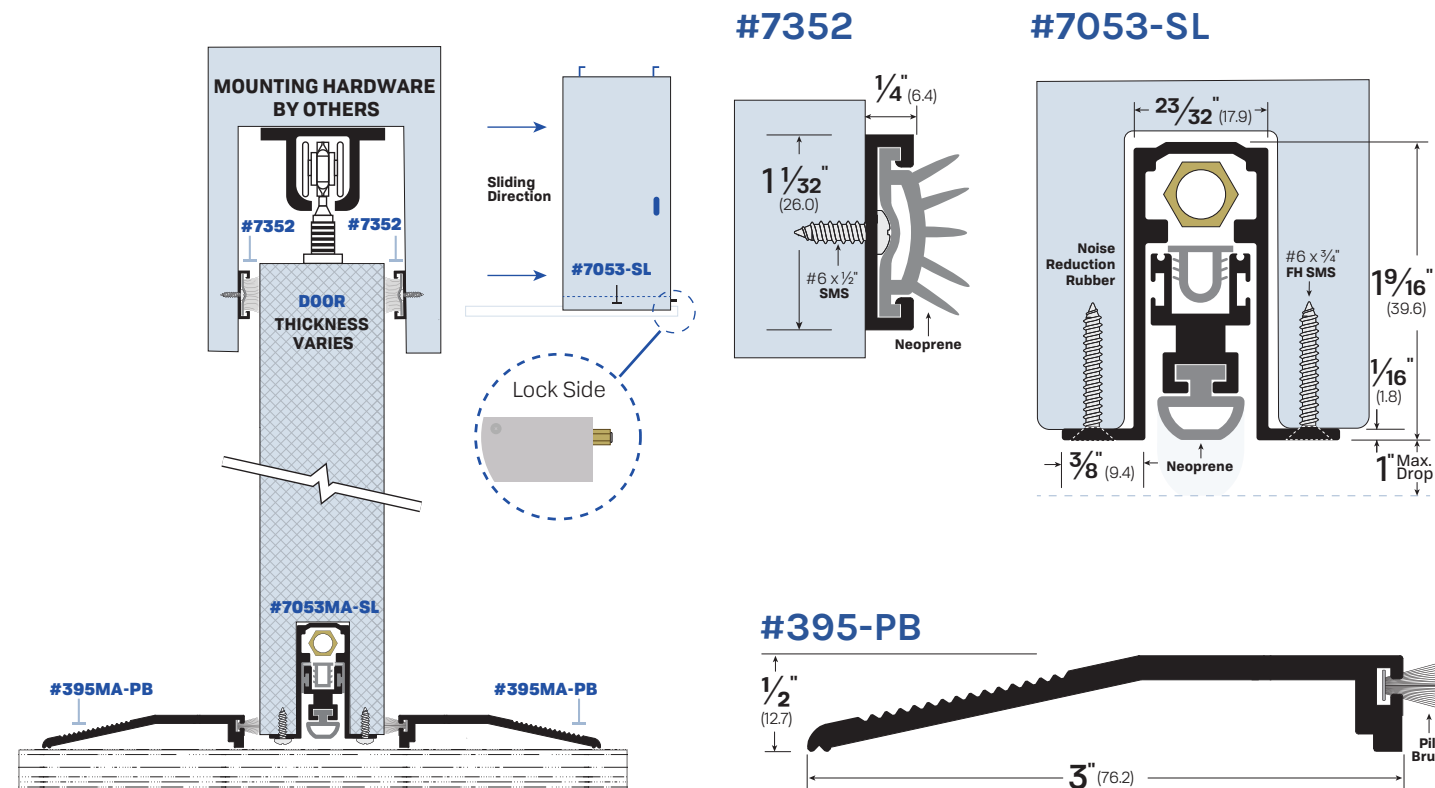
#6030 SLIDING DOOR SYSTEM

Legacy's patent pending automatic door bottom for the sliding door application has a unique low force activation mechanism which allows for more successful operations.

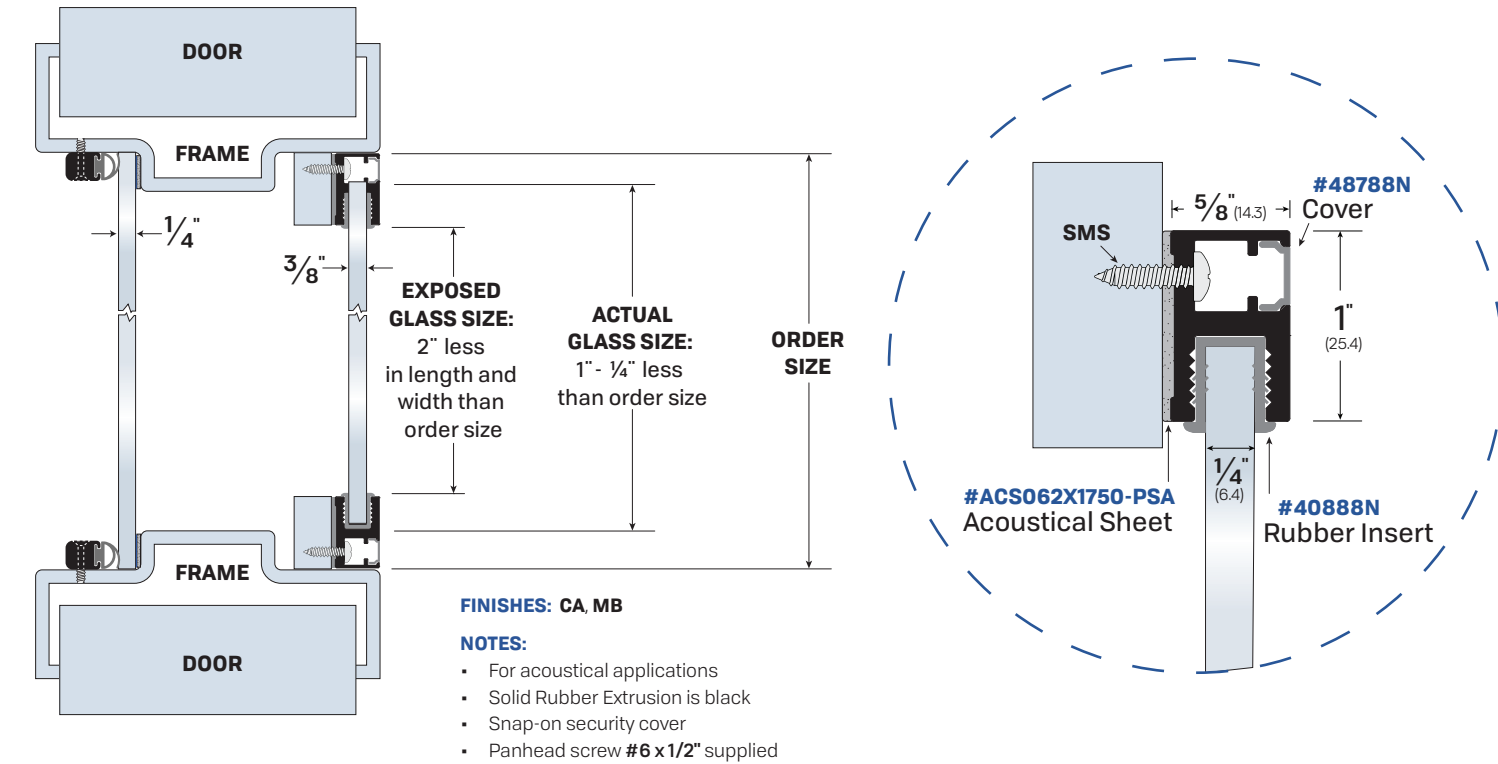


#6040 POCKET LATCH SYSTEM

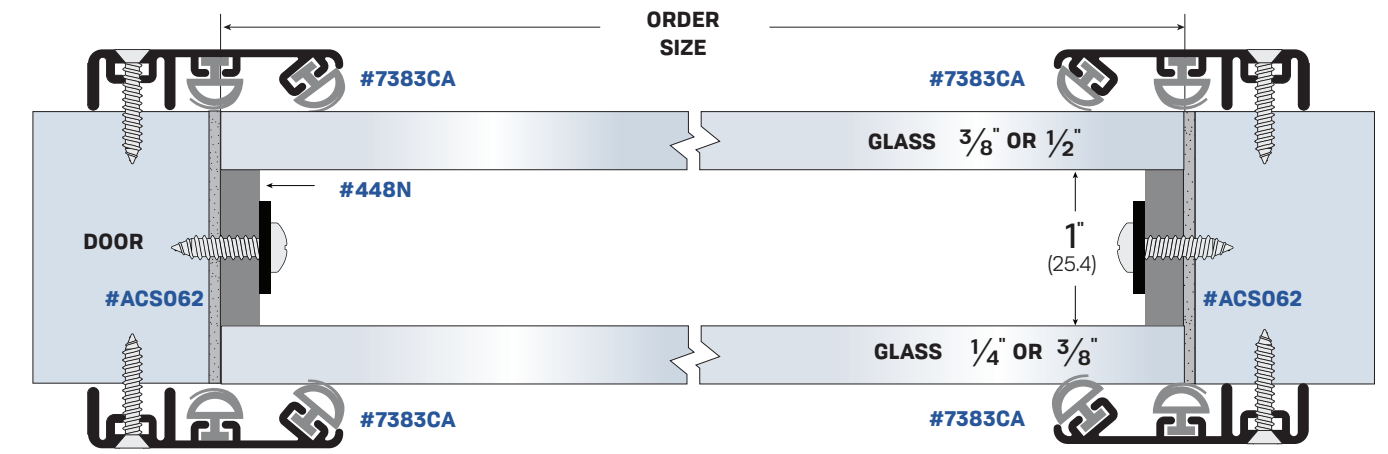
Legacy's patent pending automatic door bottom for the pocket latch application has a unique low force activation mechanism which allows for more successful operations.



#50888 ACOUSTICAL VISION (1-3/4" DOORS)



#6384 ACOUSTICAL VISION (2-1/8" DOORS OR GREATER)



FINISHES: CA, MB

NOTES:

- Please specify thickness of the door when ordering.
- Acoustical Composite Sheet (ACS) by Legacy provides sound absorption between glass plates.
- Glass plates with two different thicknesses required to minimize sound transmission.
- Sound control performance on this opening may achieve up to 44STC.
- Glass to be supplied by other manufacturers.
- #7383 corners are standard mitered cut.

Specialty Solutions

Specialty Solutions

Acoustical Composite Sheet (ACS)

Acoustical Composite Sheet (ACS) is proprietary, special-purpose rubber material manufactured in sheet form – developed primarily for sound door OEM use as acoustical core to improve STC ratings. This lead-free, densely filled polyurethane rubber effectively blocks sound transmission while minimizing sound vibrations in the door itself for superior STC performance, without the weight and cost of conventional solid-lead acoustical linings.

Call our engineering department to discuss possible applications for your sound door program.

LEGACY ENGINEERING

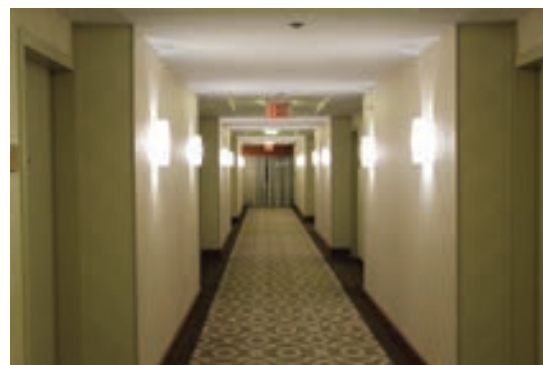
Local: +1 (718) 292-5333

Toll Free: +1 (888) 383-3330

Its non-toxic, inert properties also make ACS suitable for a range of additional OEM applications, which we are available to discuss for possible collaboration.

MATERIALS / SPECIFICATIONS:

- Densely filled, solid pigmented, polyurethane rubber noise barrier providing both sound-absorbing and sound-deadening properties.
- Uses 100% natural fiber found in volcanic rocks.
- Non-toxic, inert and non-carcinogenic – no toxic reactions with air or water.
- Non-combustible and non-explosive with a high melting point and low smoke index – safe for use in most fire-rated applications.
- Biodegradable with a low carbon footprint.
- Frequently used in CLMD (constrained layer mass damping) applications, such as sound walls.
- Mold-resistant and mildew-resistant, and washable when used in exposed areas, such as restaurants, public spaces, temporary applications, hanging baffles, etc.



Sound Transmission Coefficients

Frequency	STC - 1/4"	STC - 1/8"
125 Hz	18 db	14 db
250 Hz	20 db	15 db
500 Hz	25 db	20 db
1000 Hz	28 db	23 db
2000 Hz	32 db	37 db
4000 Hz	37 db	33 db
Sound Transmission Class:	28	24

	1/4" Thick #ACS250X12	1/8" Thick #ACS125X12
STC Rating	28	24
Deficiencies	23	32
OITC Rating	24	19

Physical Properties	#ACS250X12	#ACS125X12
Tensile Strength:	(Per ASTM D412-64) 375 lb./sq. in.	105.32 lb./sq. in.
Elongation:	(Per ASTM D412-64) 113.2%	160%
Tear Strength:	(Per ASTM D1004-66) 6.09 lb./in.	6.09 lb./in.
Weight/ft. ²:	1.337 lb./sq. ft.	0.7106 lb./sq. ft.
Thickness:	Approximately 0.250"	Approximately 0.125"
Cold Crack:	(32°F) No crack when bent over 1" mandrel	No crack when bent over 1" mandrel
Flammability:	Passes MVSS #302 UL94-SE "0"	Passes MVSS #302 UL94-SE "0"
	Classified as SE (Self Extinguishing)	Classified as SE (Self Extinguishing)
	No burn rate	No burn rate
Recommended Service Temperature:	40°F - 140°F	40°F - 140°F
Notes:	May be doubled for improved isolation	May be doubled for improved isolation
	Resistant to oil, grease, & solvent	Resistant to oil, grease, & solvent

These results apply only to our test sample. Legacy will assist in developing samples and protocols for testing other materials on request.

Fire Protection Material for Special Order and OEM Applications

NOTES:

- Used in fire applications.
- Available in custom length, width and thickness.
- Proprietary formulation -- environmentally safe, minimal carbon footprint.
- Standard black color. Red available as option—specify RD.
- Optional - Laminated to wood, aluminum, steel, or other solid materials.



CUSTOM
MADE TO
ORDER ANY
LENGTH AND
COLOR

Call our Engineering Department to discuss your needs and available options.

LEGACY ENGINEERING

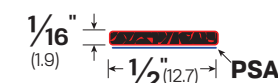
Local: +1 (718) 292-5333

Toll Free: +1 (888) 383-3330

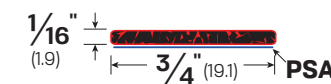
LEGACY	14212	14219	14225	14244	14312	14319	14325	24625	24650
ZERO	4062500	4062750	40621000	40621750	412500	4125750	41251000	42501000	-

Type #3 (30X Expansion)

#13212



#13219



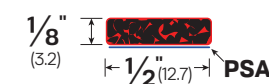
#13225



#13244



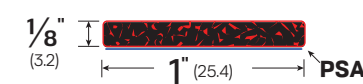
#13312



#13319

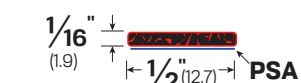


#13325



Type #4 (120X Expansion)

#14212



#14219



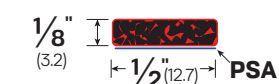
#14225



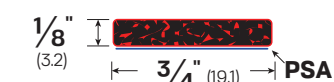
#14244



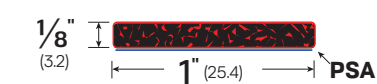
#14312



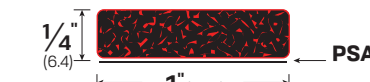
#14319



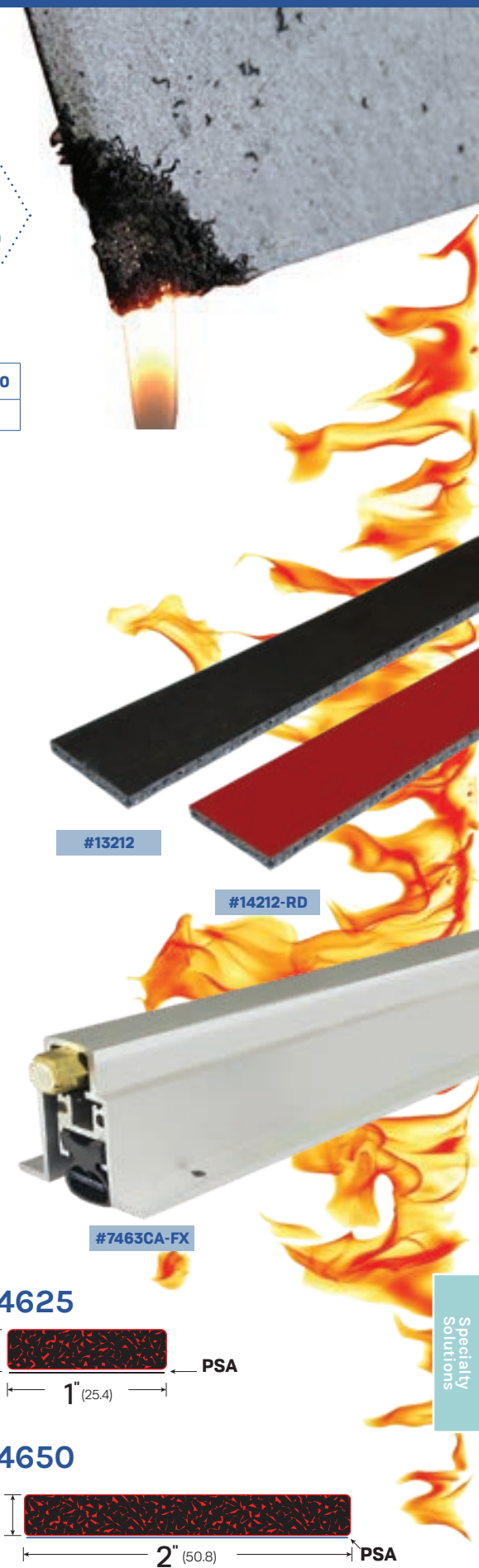
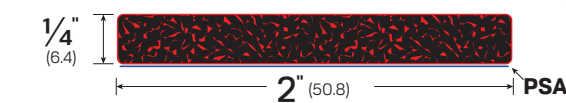
#14325



#24625



#24650



NO
COMPETITOR
EQUIVALENTS



Website
RubberLLC.com

Address
415 Concord AVE,
Bronx, NY 10455

Email
Contact@LegacyLLC.com

Phone
Local: +1 (718) 292-5333
Toll Free: +1 (888) 383-3330

Legacy Rubber is your one source for top-quality rubber extrusions in the shapes, colors, and lengths you need. We can help determine the best rubber or evaluate custom compounds for your application.

Legacy Rubber is located in the heart of the nation's primary rubber manufacturing region, Middlefield, Ohio. We produce highest-quality materials in both standard and customized formulations, and can supply virtually any kind of rubber, tinted to the color you need.

Available in both dense and sponge compounds, standard materials include:
EPDM · natural rubber · nitrile · polyisoprene · SBR · silicone · neoprene.

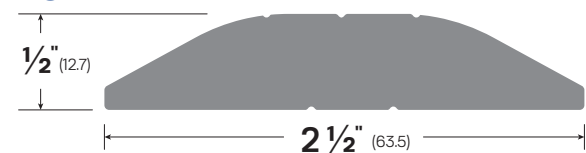
Legacy rubber products are solving problems across a broad spectrum of industries, including:

- Agriculture
- Automotive
- Aviation
- Construction
- Equipment
- Food
- HVAC
- Industrial
- Marine
- Pharmaceutical
- Renewable Energy
- Window & Door

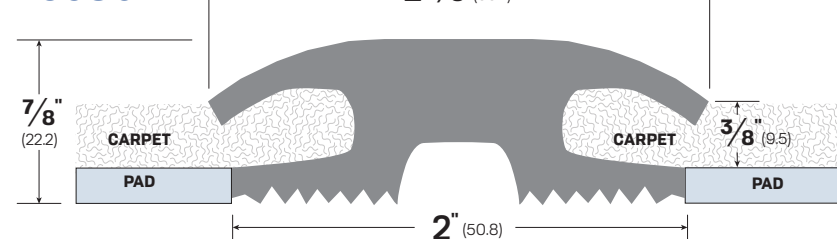
UNIQUE BENEFITS FOR OUR OEM PARTNERS

- Our state-of-the-art equipment includes digital controls that maintain very close tolerances for optimizing conformance of custom-made dies to their blueprints, along with providing consistent, accurate extrusions.
- Extrusion capabilities include: standard and custom shapes and profiles, seals, weatherstripping and rubber straps.
- Our continuous cure technology permits long-run extrusions of virtually any length—for example, O-rings in continuous stock to lengths of 1,000 feet and longer.
- 100% U.S. sourcing eliminates the variables of international supply and deliveries. On-time delivery is standard at Legacy Rubber.

#3224N



#35861N



MATERIAL: N - Neoprene

SBR: Styrene-butadiene Rubber

A synthetic rubber with good abrasion resistance and aging stability. Car tires are made of SBR.

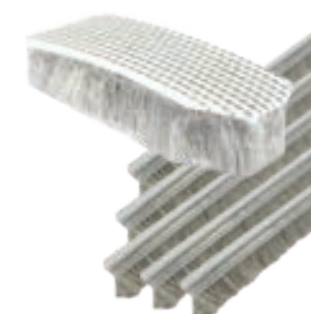
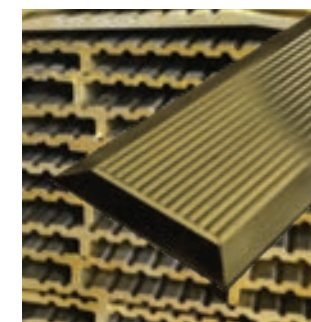
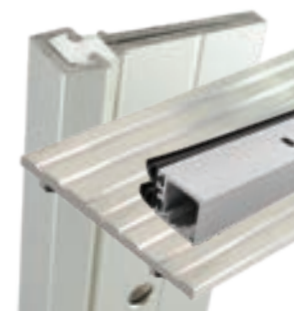


The machine line in our Middlefield, Ohio Facility.



LEGACY	NGP	PEMKO	ZERO
3224N	-	-	-
35861N	401	-	1685N

Materials



Aluminum (CA) (MA) (BK) (DB) (GD)

Aluminum shapes by Legacy are extruded in a mill finish. Parts are available in clear anodized (204R1 clear), mill finish, black anodized, dark bronze anodized, and gold anodized. Legacy uses a 6063 alloy with a hardness between T5 and T6.

Bronze (BR)

Architectural Bronze shapes by Legacy are extruded in brass alloy #380. This alloy has the following breakdown: 57.5% copper, 41% zinc, 1.3% lead, and 0.2% aluminum. Legacy's bronze products are provided in a standard mill finish. However, Legacy also offers a variety of bronze finish options such as polishing and oil-rubbing. Over time, the gold color bronze that Legacy provides will oxidize to a dark bronze. Legacy also has roll-formed spring bronze. This product is about 90% copper and 10% zinc. Most commonly used in part 5911BR.

Neoprene (N) (SPR)

Legacy Manufacturing extrudes our own neoprene at our Ohio facility. Neoprene is provided in two different forms: Closed-Cell Neoprene (N) and Sponge Rubber (SPR). Because of the chemical composition of neoprene, the product can only be extruded in a black color. The primary chemical that limits the color of neoprene is chlorine, which is required in Legacy's products for fire-rating purposes. Technical data is provided on request. Neoprene generally has a tensile strength up to 3000 PSI, with a hardness range is between 40-70 (Shore A), and provides excellent adhesion to both aluminum and bronze. Neoprene is superior to vinyl for its tear resistance and resilience under temperature changes.

Silicone (S)

Also produced at our Ohio facility, Legacy's silicone can be extruded in a variety of colors including white, blue, green, grey, brown, black, and clear. Silicone has excellent resistance to oxidation, heat, cold, and water absorption. Silicone should not be used in areas that have concentrated exposure to chemicals and acids.

Polypropylene Brush (PB)

Pile Brush inserts are used in a variety of applications and mostly for interior openings. The brush consists a polypropylene fiber that is mechanically fastened to a plastic backing. Custom brushes are also available depending on customer specifications. Fibers are generally flexible.

Fasteners (SMS) (FA)

Standard threaded-to-the-head sheet metal screws are supplied for all head and jamb gasketing material. Legacy has a variety of options for the screw head including Phillips, slotted, truss, pan, and flat head. Flat head screws are generally provided for threshold applications. We also offer a wide range of anchors that can be used with these screws. (See page 28 for available anchors.)

Finishes

CA - Clear Anodized Aluminum	MA - Mill Aluminum
DB - Dark Bronze Anodized Aluminum	BR - Architectural Bronze
MB - Matte Black Powder Coat	BK - Black Anodized Aluminum
WP - White Powder Coat	ORB - Oil Rubbed Bronze
SP - Gray Steel Prime	SS - Stainless Steel
GD - Gold Anodized Aluminum	POL - Polished Bronze

Aluminum

Clear Anodized	ANSI/BHMA 628	US28	CA
Mill Finish	ANSI/BHMA 719	US27	MA
Black Anodized	-	-	BK
Dark Bronze Anodized	-	-	DB
Gold Anodized	-	-	GB
Powder-Coated Colors	SEE ABOVE	-	-

Architectural Bronze

Satin Finish	ANSI/BHMA 728	US4	BR
Oil-Rubbed	ANSI/BHMA 722	US10B	ORB
Polished	ANSI/BHMA 721	US3	POL

Stainless Steel

Mill Finish	-	-	SS
Brushed (#4)	ANSI/BHMA 630	US32D	SS-Brushed
Polished	ANSI/BHMA 629	US32	SS-POL

Product Symbols

Acoustic
 ADA Accessible
 EMI / RFI
 FEMA Compliant
 Fire
 Non-Slip
 Smoke

Regulatory Standards

Fire Rated

UL10B Standard for Fire Tests of Door Assemblies
 UL10C Standard for Positive Pressure Fire Test of Doors
 UBC 43-2 Fire Test of Door Assemblies
 UBC 7-2-97 PART I Fire Test Standard for Swinging Fire Doors
 CAN / ULC S104
 ASTM E152 Method of Fire Test of Door Assemblies
 ASTM E2074 Standard Test Method for Fire Tests of Door Assemblies, including Positive Pressure Testing of Side Hinged and Pivoted Swinging Door Assemblies
 IBC 2009 International Building Code
 NFPA 80 Standard for Fire Doors and Fire Windows
 NFPA 101 Life Safety Code
 NFPA 105 Recommended Practice for the Installation of Smoke and Draft Control Door Assemblies
 NFPA 252 Standard Method of Fire Tests of Door Assemblies SDI 118 Basic Fire Door Requirements

FEMA Compliant

FEMA Technical Bulletin 3-93 Non-Residential Flood-proofing
 FEMA Flood-proofing Non-Residential Structures #102
 FEMA P-259 Engineering Design and Principles

Smoke

UL1784 Standard for Air Leakage Tests of Door Assemblies
 IBC 2009 International Building Code
 UBC 7-2-97 PART II Method of Smoke and Draft Control Tests of Door Assemblies

Acoustic

Acoustical ratings are achieved by OEM testing using specific door assembly configurations. See our acoustical section located on pages 67 for more detailed STC ratings.

ADA Accessible

ADAAG-1998
 ICC/ANSI A117.1-1998 Standard for Accessible and Usable Buildings and Facilities
 IBC 2009 International Building Code

Non-Slip Surface

ASTM F-609 Standard for Safety for Slip Resistance of Floor Surface
 MIL-D 23003 A Deck Covering Compound, Non-Slip, Rollable
 UL 410 Standard for Safety for Slip Resistance of Floor Surface

Electromagnetic / Radio Frequency Interference

EMI testing is achieved by testing against standards of MIL-STD-285 and NSA 73-2A. We are happy to work directly with you and your opening to achieve positive results.
 MIL-STD-285 Attenuation measurement for enclosures, electromagnetic shielding
 NSA 73-2A Performed for electric field attenuation over the frequency range 10 MHz to 1 GHz

SPECIFIABLE OPTIONS – Legacy's Signature Advantage for Specifiers

While we are recognized and applauded for our unique capabilities and appetite for customization, it is Legacy's unequalled range of standard features and options that puts the power of ultimate flexibility in the hands of the specifier. The options listed in this catalog are explained in more detail below.

ACF	Aluminum Composite Filler -- for Thresholds	Strengthens and reinforces thresholds to prevent bending or crushing under high-traffic and heavyweight use in schools, industrial and manufacturing plants, and other high-stress applications.
AIR	Air Flow -- for Door Sweeps	Double rows of notched and staggered neoprene seals allow free flow of air while still blocking light at the bottom of the door.
Blank	No option specified	Standard features apply (if any).
CE	Concealed Electric -- for Hinges	26-gauge wires for buzzers, alarms and other electrified hardware mounted in a removable hinge section for easy access if needed. Specify up to 12 wires.
EA	Electrical Actuator -- for Automatic Door Bottoms	Allows electronic activation of door opening hardware (i.e., pushbutton, key pad or card reader) using a mortised motor. Motor and casing are provided for wiring by installer. Not available elsewhere.
EMI/RFI	Electromagnetic/ Radio Frequency Interference Blocking	An iridate coating on aluminum housings and solid carbon-filled neoprene rubber gaskets ensure maximum electrical conductivity for blocking both electromagnetic and radio frequency interference in applications such as laboratories, hospitals, brokerage houses, embassies and other facilities using sensitive electronic equipment. (See p.85 for details.)
EP	Extended Plunger -- for Automatic Door Bottoms	50 mm brass hex nut (versus standard 30 mm) helps compensate for excessive gap between the door and frame.
EPT	Electrical Power Transfer Cut-Out -- for Hinges	Notches cut out on both sides of the continuous hinge accommodate installation of a power transfer unit without interfering with hinge operation. Specify handing and cut-out dimensions when ordering.
EPX	Epoxy Abrasive -- for Thresholds	Non-slip abrasive epoxy is chemically applied to the grooves of the threshold for improved strength and grip.
FL	Fire Label	Available for products with published fire ratings. When properly applied, fire labels are visible and legible to meet inspection requirements.
FOAM	Foam -- for Perimeter Seals	Acoustical foam insert for additional sound-blocking density.
FX	Intumescent	Where offered, this option allows adding Legacy's proprietary intumescent material to products where it is not already integrated as standard design. Useful for fire applications to ensure effective sealing of all gaps.
HD	Heavy Duty -- for Hinges	Specify for high-traffic and heavy doors up to 475 lbs. Hinge cut-out differs from standard to support roughly double the usual number of bearings. Call our Engineering Department for guidance on your specific application. (For example, 83" door height/ 32 bearings supplied; 95"/ 36 bearings; 107"/ 42 bearings. Other heights can also be accommodated.)
HT	Hospital Tip -- for Hinges	Sloped barrel end on hinge top simplifies cleaning and helps prevent insertion of foreign items that might cause harm. Ideal for security doorways in prisons; hospitals and mental health facilities; and clean rooms.
LA	Lead Anchor Fastener	Lead anchors for use with standard #10 screws
LIG	Ligature Resistant	Notching silicone or neoprene seal at 8-inch intervals ensures that gasketing will break into pieces if removed from extrusions or aluminum housing for any reason. Common applications are prisons and psychiatric facilities.
LL	Lead Lined	Integrates lead into parts for lead-lined openings, primarily used for x-ray protection.

LS	Light Spring -- for Automatic Door Bottoms	Allows lower operating force to for compliance with ADA requirements when integrated with appropriate head and jamb components.
NH	No Holes	Specify to omit standard mounting holes.
NIT	Nitrile Extrusion	Extruded rubber in nitrile formulation for protection from corrosive chemical exposures in medical and industrial applications. (See p.85 for details.)
ORB	Oil-Rubbed Bronze	Specify for standard architectural bronze components to be provided with BHMA US10b finish.
PB-BK	Black Pile Brush	
PB-GY	Grey Pile Brush	
PB-WH	White Pile Brush	
PEPX	Photoluminescent Epoxy Abrasive -- for Thresholds	Specify for compliance with NYC Building Code Standard RS 6-1/1A and IBC 2000 requirements for photoluminescent stairwell and exit path markings. Threshold grooves are filled with a proprietary photoluminescent epoxy that emits luminescence after charging by exposure to ambient light.
POL	Polished Bronze	Specify for standard architectural bronze components to be provided with BHMA US3 finish.
PSA	Pressure Sensitive Adhesive	Industry-leading 3M tape is supplied for highest-quality pressure-sensitive adhesive.
PULL	Pull -- for Automatic Door Bottoms	Removable end cap allows removing the door bottom insert for cleaning or repair while housing remains mounted to the in-place door. Ideal for hospitals, schools, hotels and other applications with high standards for cleanliness.
PV	Pivot Doors -- for Automatic Door Bottoms	The larger gap between door edge and frame in pivot door requires a different mechanism and extended brass hex nut for efficient seal drop.
RS	Ribbon Switch -- for Perimeter Seals	Mounted to the inside of gasketing to allow integration of switch-operated access-control hardware.
RUB	Rubber Grip -- for Thresholds	Typically used for interior applications. In place of conventional rubber inserts, our unique process chemically applies non-slip rubber to threshold grooves for enhanced grip and strength.
SF	Security Fasteners	Tamperproof Torx screws are provided.
SL	Sliding Doors -- for Automatic Door Bottoms	In place of a conventional spring for latching, a light spring is included for easier activation when the sliding door is closed. Automatic door bottoms specified with this option drop evenly against the floor.
SLC	Strike Lip Cut -- for Overlapping Astragals	For pairs of doors with one active and one inactive leaf. A cutout in the astragal accommodates a typical strike with exposed lip in the overlapping astragal.
ST	School Tip -- for Hinges	To prevent insertion of foreign objects that might impede hinge operation or damage gears, bearing plugs are mounted flush with the top and bottom openings of the hinge.
S-WH	White Silicone	Specify white silicone to replace standard black silicone.
TD	Top Door Installation -- for Automatic Door Bottoms	Suitable for maximum 3/8" clearances, mounting this hardware at the top of the door is a useful option for closing gaps for mortised sound control or other applications while maintaining the aesthetics of no exposed hardware.

Part #	Page #
1	70,73
1S	48
2	73
2C	73
2CH	73
2INCHNUT	16
2S	48
3	73
3C	73
3CH	70,73
3S	48
4C	73
4CH	73
4S	48
5CH	73
5S	48
6	73
6S	48
7	73
7S	48,72
7Z	70
8	72
8C	72
8FC	40
8S5	39
8S11	39
8S13	39
8S14	39
8S16	39
8T1	39
8T2	39
8T2E	39
8T3	39
8T4	39
8T5	39
9T1	39
9T2	39
21	72
FA21	28
FA22	28
FA23	28
FA24	28,29
FA26	28
42PB	49
64EA	84
ACS062	87
ACSI25	88
115	70
117	70
B180	72

Part #	Page #
S180	72
B181	72
S181	72
B182	72,81
S182	70,72
ACS250	80,81,82,88
313	34
342	34
348N	29,30
352	34
356	36,83
ACS375	80,81,82
386	29,30,43,83
395	35
398	35
399N	30
413PB	49
416C	72
423PB	49,66
443PB	49
448N	87
501	54
513	50,55
517LPT	68
523	55
545DP	13
589	57
599	57
711	22
714	65
715	65
718	20
725MA	22
727MA	22
732	72
733	63
734	65
735	23,63
739	21
743	63
744	65
749EC	16
752	41
759	21
763	63
769	21
774	65
779	21
789	61,66
793	3,19,26,82

Part #	Page #
795	63
799	17,61
812AA	40
813	42
813G	42
824	41
826	41
828	40
832	40
832L	40
838	40
841	41
842	41
865	40
928L	40
934C	41
1019	3,67,68,70
1026	68
1027	68
1059	69,85
1359	69,80,81,83
1559	69,81
2275	78
3006EJ	44
3031	30
3106EJ	44
3143	34
3144	34
3145	34
3224N	90
3232	37
3276	30,43
3291	35
3292	35,42
3325	35
3332	37
3376	27,29,30,43
3425	35
3432	37
3441	33
3445	3,31
3456	28,32
3461	32,45
3465	2,27,29,36,42,80,82,85
3476	29,30,43,83
3486	34
3501	30
3512	38,42
3514	42

Part #	Page #
3532	37
3541	33
3545	31,42
3556	32
3561	45
3565	36
3571	41
3574	29,34
3576	29,30,43
3601	29,30
3612	38
3616	33
3632	37
3641	33
3645	31
3656	32,42
3661	45
3665	36,81
3676	29,30,43
3701	43
3712	38
3741	33
3745	31
3756	32
3761	45
3762	42
3776	30
3812	38
3841	33
3845	29,31
3861	45
3862	29,30,43
3876	30
3882	38
3904	35
3905	35
3912	38
3931	30
3960DP	44
3961	45
3962	29,30
3964	29,30,43
3966DP	27,44
3971	41
3976	30
4063EC	16
4123EC	16
4153EC	16
4163EC	16
5001	57

Part #	Page #
5018SPR	49
5021	79
5027	76
5028	77
5029	78
5041	58
5071	50,52
5072	58
5074	58
5075	55
5077	3,51,52,80,81
5077SPB	51
5078SPB	51
5078	54
5088S	48
5118SPR	49
5127	76
5128	77
5129	78
5175	55
5178	54
5203-FX	56
5213SPR	49
5217	54
5218SPR	49
5241	22
5258SPR	48
5272	58
5274	58
5413	56
5428S	47
5552	54
5574	57,82,83,85
5583	57
5584	57,82,85
5623	56
5628SPR	49
5658S	48
5711S	47
5813SPR	49
5814SPR	49
5823SPB	51
5823	56
5848S	48
5873	57
5874	50,57
5881S	3,46,47,80,83
5883S	47,82

Part #	Page #
5884S	47
5911	80,83,85
5924	53,83
5924L-EXT	53
5974	57
6030	86
6037STC	82
6040	86
6042STC	81
6046STC	81
6047STC	81
6048STC	80
6049STC	80
6050NIT	85
6051NIT	85
6090EMI	85
6136STC	82
6142STC	82
6148STC	81
6236STC	82
6384	87
7001	61
7011	25
7023	10,83
7041	64
7053	9,14,15,84
7063	4,6
7075	62
7078	62
7093	12,13
7111	25,85
7112	25
7115	24
7123	10
7153	9,14,15,82
7163	4,5,6
7175	19
7177S	48,66
7178	19,62
7183	23
7253	9,14,15
7254MA	22
7263	4,6
7175	62
7277S	49,66
7283	23
7323	10
7351	24,85
7352	25,85

Part #	Page #
7378	62
7383	59,64,83
7451	24
7452	25
7463	5,7
7483	64
7531	66
7552	19,62
7553	5,11,82,83
7563	7,41,85
7574	61
7583	18,61
7593	12,13
7623	60
7631	66
7663	7
7731	66
7752	24
7763	2,3,5,8,80,83
7774	20
7793	12,13
7823	18,60
7831	66
7835	21
7836	19,26
7852	25
7863	8
7891	26
7923	18
7933	18,64
7936	19,26
7963	8
7974	61
7991	26
10059	69
13212	89
13219	89
13225	89
13244	89
13312	89
13319	89
13325	89
14212	89
14219	89
14225	89
14244	89
14319	89
14325	89
22070-CH-BK	79
22070-CH-CA	79

Part #	Page #
22070-OS	78
24625	89
24650	89
30145	31
30176	30
30756	42
31145	31
31245	31
34278	38
34761	33
35756	32
35761	33
35861N	90
36761	33
50517S	47,80
50518S	47
50519S	47,80
50777	52,53
50778SPR	49
50878SPR	46,49
50888	87
50188S	48
51888	56
52408S	46,47,80
52718SPR	49
52888	56
53038	55
53408SPR	48
53518F	48
54418S	47
55418S	47
56128S	47
59150	55
70481	65
71518	24
71553	11
71918	20
72553	11
72918	20,60,66
73918	20,60,66
74453	23
74918	3,20,60,66
76453	23
77128S	49,66
77319	66
77918	22,83
78918	22
79408N	21
79418	24
7W933	18

MAIN OFFICE & MANUFACTURING

WEBSITE

LegacyLLC.com

EMAIL

Contact@LegacyLLC.com
Orders@LegacyLLC.com

ADDRESS

415 Concord Avenue,
Bronx, NY 10455

PHONE

Local: +1 (718) 292-5333
Toll Free: +1 (888) 383-3330

LEGACY RUBBER

WEBSITE

RubberLLC.com

EMAIL

Contact@LegacyLLC.com
Orders@LegacyLLC.com

ADDRESS

415 Concord Avenue,
Bronx, NY 10455

PHONE

Local: +1 (718) 292-9333
Toll Free: +1 (888) 383-3330

ACCURATE METAL WEATHERSTRIP

WEBSITE

Accurateweatherstrip.com

EMAIL

Contact@LegacyLLC.com
Orders@LegacyLLC.com

ADDRESS

415 Concord Avenue,
Bronx, NY 10455

PHONE

Local: +1 (718) 292-9333
Toll Free: +1 (888) 383-3330

DOOR FLOOD BARRIER

WEBSITE

Doorfloodbarrier.com

EMAIL

Contact@LegacyLLC.com
Orders@LegacyLLC.com

ADDRESS

415 Concord Avenue,
Bronx, NY 10455

PHONE

Local: +1 (718) 292-9333
Toll Free: +1 (888) 383-3330



U.S. Department of
Homeland Security
Critical Manufacturing
Sector Coordinating Council



FEMA



PRICE - \$25

@ LEGACY MANUFACTURING LLC 2024



ALL LEGACY PRODUCTS
are manufactured in the
UNITED STATES